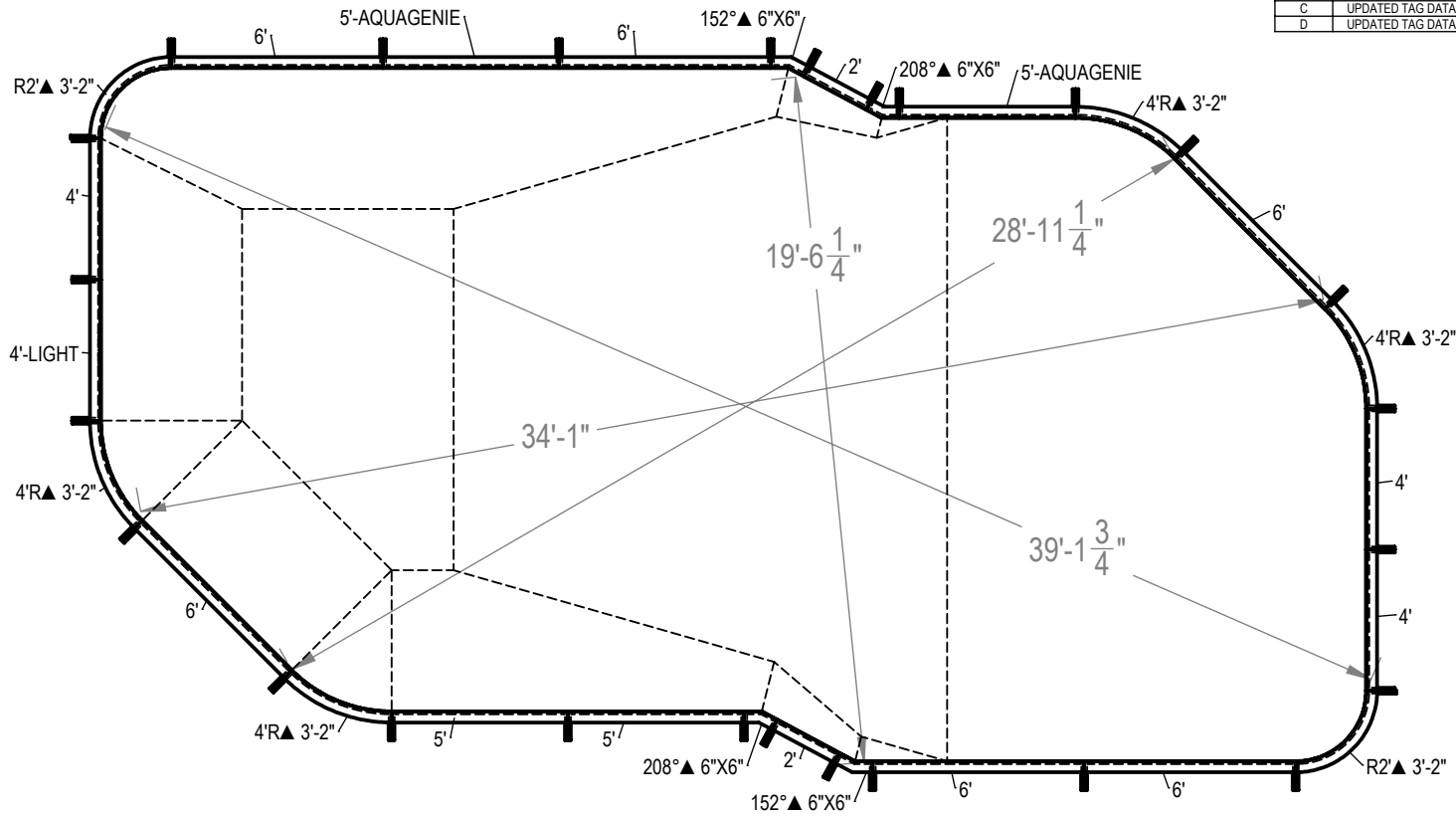


REVISION HISTORY				
REV.	DESCRIPTION	DATE	ECO	BY
B	UPDATED BOM	3/26/2014	NONE	RCOLBOCH
C	UPDATED TAG DATA TO INCLUDE COPING LENGTHS.	2/3/2015	391702	JBOSSERDET
D	UPDATED TAG DATA TO INCLUDE COPING LENGTHS.	2/3/2015	391702	JBOSSERDET



NOTES:

1. THESE ARE FINISHED DIMENSIONS READY FOR THE LINER.
2. DIMENSIONS ARE FROM INSIDE POOL PANELS.
3. ROPE AND FLOAT ASSEMBLY SHOULD BE INSTALLED IN ACCORDANCE WITH ANSI/ASPS/ICC-5 2011 17.2.

EXCAVATION NOTES:

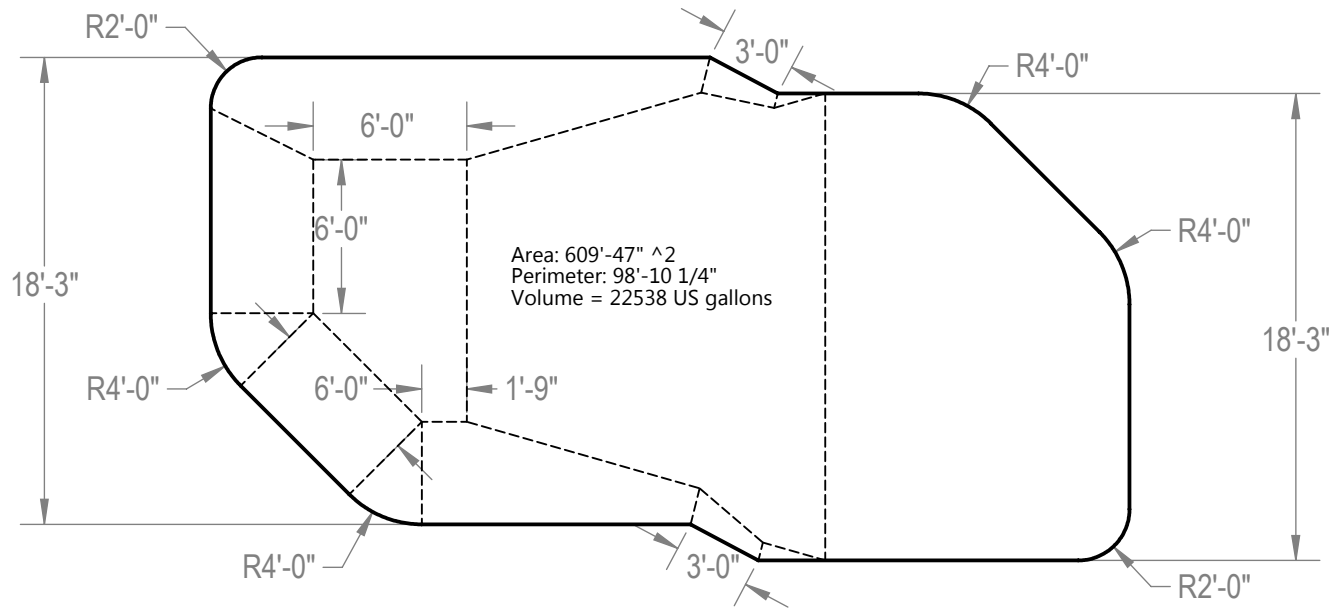
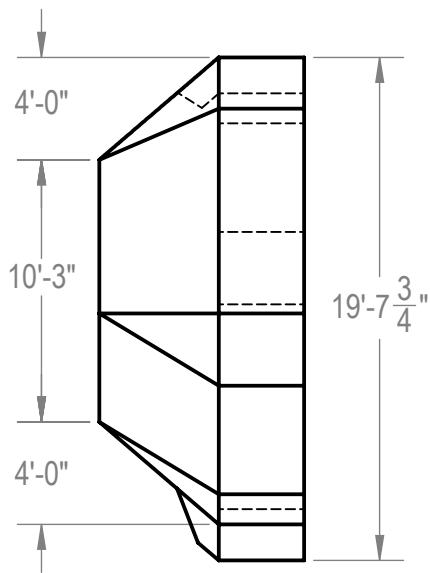
4. ROUGH EXCAVATION SHOULD BE 2" DEEPER IN EACH INSTANCE.
5. SOIL TO HAVE MINIMUM BEARING CAPACITY OF 1500 PSF.
6. LOCATE TOP OF POOL AT LEAST 6" ABOVE THE SURROUNDING LAND ELEVATION.
7. SEE "OVER DIG DETAIL" FOR EXCAVATION AROUND POOL.
8. FILL VOIDS UNDER BASE OF PANELS AND TAMP WELL.
9. BACK FILL WITH NON-EXPANSIVE MATERIAL.
10. ANSI / APSP / ICC-5 FOR RESIDENTIAL POOLS, 2003-2007 BOCA CODE SECTION 421.

IMPORTANT NOTES:

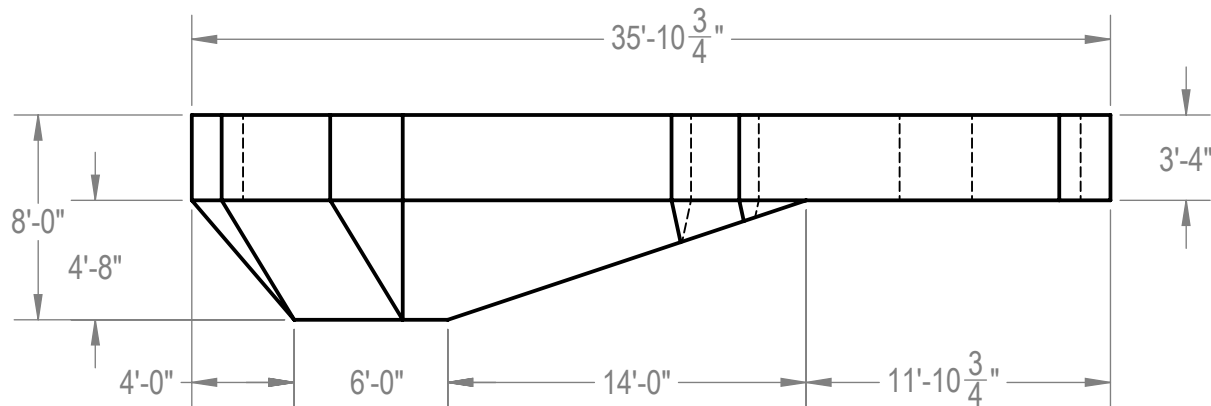
THIS DOCUMENT IS FOR ILLUSTRATIVE PURPOSES ONLY. THE DEALER OR CONTRACTOR WHO SELLS OR INSTALLS YOUR POOL IS AN INDEPENDENT CONTRACTOR AND IS NOT AN AGENT OF THE MANUFACTURER. THE CONSTRUCTION METHODS ILLUSTRATED HERE ARE SUGGESTIONS AND APPLY ONLY TO NORMAL GROUND CONDITIONS. THERE MAY BE ADDITIONAL PRECAUTIONS AND/OR METHODS OF CONSTRUCTION. PROPER INSTALLATION IS THE RESPONSIBILITY OF THE DEALER/BUILDER/CONTRACTOR.

ITEM	FILE NAME	DESCRIPTION	CUSTOMER DRAWING #	VENDOR PART #	QTY.	VENDOR NAME	MATERIAL
1	BRACE	BRACE, 5 TAB, TRANQUILITY - 500 SERIES	HP599	HP599	26	HYDRA POOLS	PS
2	PANEL, 2' LONG	PANEL, 2' LONG - 500 SERIES	HP502	HP502	2	HYDRA POOLS	PS
3	PANEL, 2' RADIUS	PANEL, 2' RADIUS - 500 SERIES	HP552M	HP552M	2	HYDRA POOLS	PS
4	PANEL, 4' LONG	PANEL, 4' LONG - 500 SERIES	HP504	HP504	3	HYDRA POOLS	PS
5	PANEL, 4' LONG WITH LIGHT	PANEL, 4' LONG WITH LIGHT - 500 SERIES	HP504L	HP504L	1	HYDRA POOLS	PS
6	PANEL, 4' RADIUS	PANEL, 4' RADIUS - 500 SERIES	HP554	HP554	4	HYDRA POOLS	PS
7	PANEL, 5' LONG	PANEL, 5' LONG - 500 SERIES	HP505	HP505	2	HYDRA POOLS	PS
8	PANEL, 5' LONG WITH AQUA GENIE	PANEL, 5' LONG WITH AQUA GENIE - 500 SERIES	HP505A	HP505A	2	HYDRA POOLS	PS
9	PANEL, 6' LONG	PANEL, 6' LONG - 500 SERIES	HP506	HP506	6	HYDRA POOLS	PS
10	PANEL, L, 152" X 6" IN X 6" IN	PANEL, ANGLE, 152° X 6" X 6" - 500 SERIES	HP521	HP521	2	HYDRA POOLS	PS
11	PANEL, L, 208" X 6" IN X 6" IN	PANEL, ANGLE, 208° X 6" X 6" - 500 SERIES	HP520	HP520	2	HYDRA POOLS	PS

ENGINEERING DRAWING NUMBER: 00005108	WEIGHT:	UNLESS OTHERWISE SPECIFIED DIMENSIONS ARE IN INCHES TOLERANCES DECIMALS: X ± .1 XX ± .01 XXX ± .001 XXXX ± .0005 ANGULAR: X ± 0.5 THIRD ANGLE PROJECTION	DESIGNED BY:	CREATION DATE:	HYDRA POOLS
	lbs		RCOLBOCH	10/1/2013	
	VOLUME: Inch ³		DETAILED BY:	DETAILED DATE:	
	COLOR:		JBOSSERDET	10/5/2012	
NA	LAST REVISED BY:	LAST REVISED DATE:	TITLE:	LAYOUT, 19'-8" X 35'-11", BALIZE, 8' DEEP, 500 SERIES	
HEAT TREAT:	Jbosserdet	2/3/2015	PART NUMBER:	50995	
NA	MATERIAL:		SCALE:	1:128	SIZE:
FINISH:			SHEET:	1 OF 2	A
TEXTURE:					
NA					



Area: 609'-47" ^2
 Perimeter: 98'-10 1/4"
 Volume = 22538 US gallons



NOTES:

1. THESE ARE FINISHED DIMENSIONS READY FOR THE LINER.
2. DIMENSIONS ARE FROM INSIDE POOL PANELS.
3. ROPE AND FLOAT ASSEMBLY SHOULD BE INSTALLED IN ACCORDANCE WITH ANSI/ASPS/ICC-5 2011 17.2.

EXCAVATION NOTES:

4. ROUGH EXCAVATION SHOULD BE 2" DEEPER IN EACH INSTANCE.
5. SOIL TO HAVE MINIMUM BEARING CAPACITY OF 1500 PSF.
6. LOCATE TOP OF POOL AT LEAST 6" ABOVE THE SURROUNDING LAND ELEVATION.
7. SEE "OVER DIG DETAIL" FOR EXCAVATION AROUND POOL.
8. FILL VOIDS UNDER BASE OF PANELS AND TAMP WELL.
9. BACK FILL WITH NON-EXPANSIVE MATERIAL.
10. ANSI / APSP / ICC-5 FOR RESIDENTIAL POOLS, 2003-2007 BOCA CODE SECTION 421.

IMPORTANT NOTES:

THIS DOCUMENT IS FOR ILLUSTRATIVE PURPOSES ONLY. THE DEALER OR CONTRACTOR WHO SELLS OR INSTALLS YOUR POOL IS AN INDEPENDENT CONTRACTOR AND IS NOT AN AGENT OF THE MANUFACTURER. THE CONSTRUCTION METHODS ILLUSTRATED HERE ARE SUGGESTIONS AND APPLY ONLY TO NORMAL GROUND CONDITIONS. THERE MAY BE ADDITIONAL PRECAUTIONS AND/OR METHODS OF CONSTRUCTION. PROPER INSTALLATION IS THE RESPONSIBILITY OF THE DEALER/BUILDER/CONTRACTOR.

ENGINEERING DRAWING NUMBER:
00005108

WEIGHT:	UNLESS OTHERWISE SPECIFIED DIMENSIONS ARE IN INCHES TOLERANCES DECIMALS: X ± .1 XX ± .01 XXX ± .001 XXXX ± .0005
lbs	
VOLUME:	
Inch ³	
COLOR:	
HEAT TREAT:	ANGULAR: X ± 0.5
NA	THIRD ANGLE PROJECTION
FINISH:	
TEXTURE:	
NA	

DESIGNED BY:	RCOLBOCH	CREATION DATE:	10/1/2013
DETAILED BY:	JBOSSERDET	DETAILED DATE:	10/5/2012
LAST REVISED BY:	jbosserdet	LAST REVISED DATE:	2/3/2015
MATERIAL:			

HYDRA POOLS	
TITLE:	LAYOUT, 19'-8" X 35'-11", BALIZE, 8' DEEP, 500 SERIES
PART NUMBER:	50995
SCALE:	1:128
SIZE:	A
SHEET:	2 OF 2