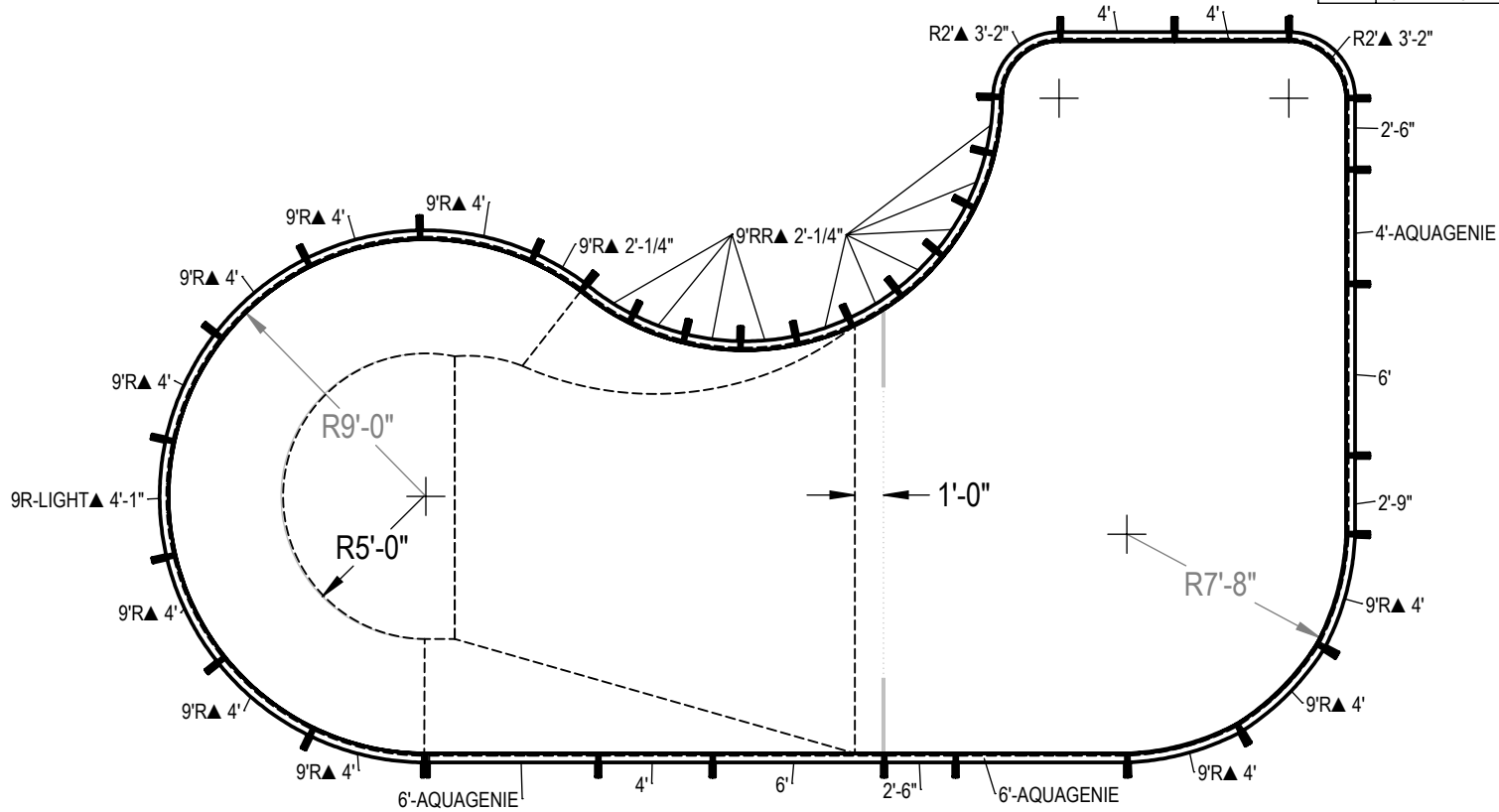


REVISION HISTORY				
REV.	DESCRIPTION	DATE	ECO	BY
A	2014 POLYMER DIG BOOK	9/6/2013		RCOLBOCH
B	UPDATED TAG DATA TO INCLUDE COPING LENGTHS.	1/29/2015	391702	JBOSSERDET



ITEM	FILE NAME	DESCRIPTION	CUSTOMER DRAWING #	VENDOR PART #	QTY.	VENDOR NAME	MATERIAL
1	BRACE	BRACE, 5 TAB, TRANQUILITY - 500 SERIES	HP599	HP599	35	HYDRA POOLS	PS
2	INSERT, 5° WEDGE	INSERT, 5° WEDGE	HP226	HP226	4	HYDRA POOLS, IA	PP Homopolymer
3	PANEL, 2'-9 IN LONG	PANEL, 2'-9" LONG - 500 SERIES	HP517	HP517	1	HYDRA POOLS	PS
4	PANEL, 2'-6 IN LONG	PANEL, 2'-6" LONG - 500 SERIES	HP583S	HP583S	2	HYDRA POOLS	PS
5	PANEL, 2' RADIUS	PANEL, 2' RADIUS - 500 SERIES	HP552M	HP552M	2	HYDRA POOLS	PS
6	PANEL, 4' LONG	PANEL, 4' LONG - 500 SERIES	HP504	HP504	3	HYDRA POOLS	PS
7	PANEL, 4' LONG WITH AQUA GENIE	PANEL, 4' LONG WITH AQUA GENIE - 500 SERIES	HP504A	HP504A	1	HYDRA POOLS	PS
8	PANEL, 6' LONG	PANEL, 6' LONG - 500 SERIES	HP506	HP506	2	HYDRA POOLS	PS
9	PANEL, 6' LONG WITH AQUA GENIE	PANEL, 6' LONG WITH AQUA GENIE - 500 SERIES	HP506A	HP506A	2	HYDRA POOLS	PS
10	PANEL, 9' RADIUS WITH LIGHT	PANEL, 9' RADIUS WITH LIGHT - 500 SERIES	HP559LL	HP559LL	1	HYDRA POOLS	PS
11	PANEL, 9' RADIUS, 2' LONG	PANEL, 9' RADIUS, 2' LONG, INSERT OVAL - 500 SERIES	HP510	HP510	1	HYDRA POOLS	PS
12	PANEL, 9' RADIUS, 4' LONG	PANEL, 9' RADIUS, 4' LONG - 500 SERIES	HP559	HP559	10	HYDRA POOLS	PS
13	PANEL, 9' REVERSE RADIUS	PANEL, 9' REVERSE RADIUS - 500 SERIES	HP519N	HP519N	10	HYDRA POOLS	PS

NOTES:

- THESE ARE FINISHED DIMENSIONS READY FOR THE LINER.
- DIMENSIONS ARE FROM INSIDE POOL PANELS.
- THE IDEAL WATER LEVEL SHOULD BE TO THE MIDDLE OF THE SKIMMER OPENING(S).

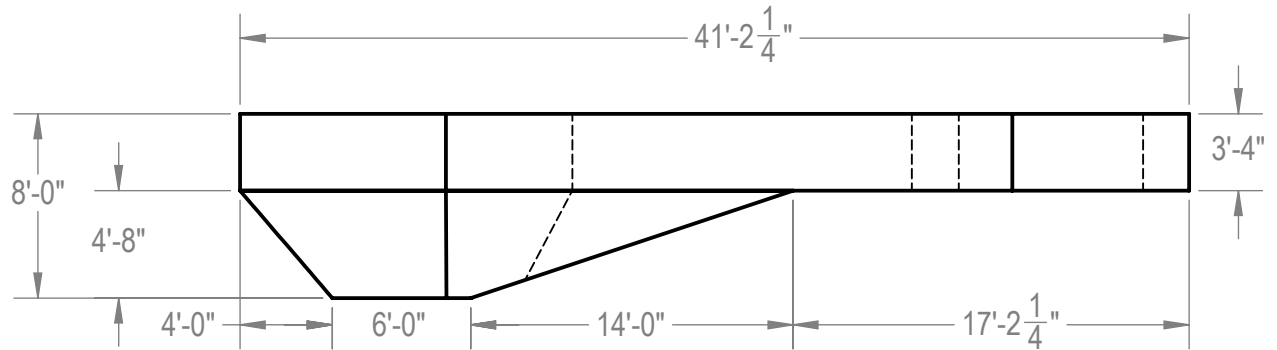
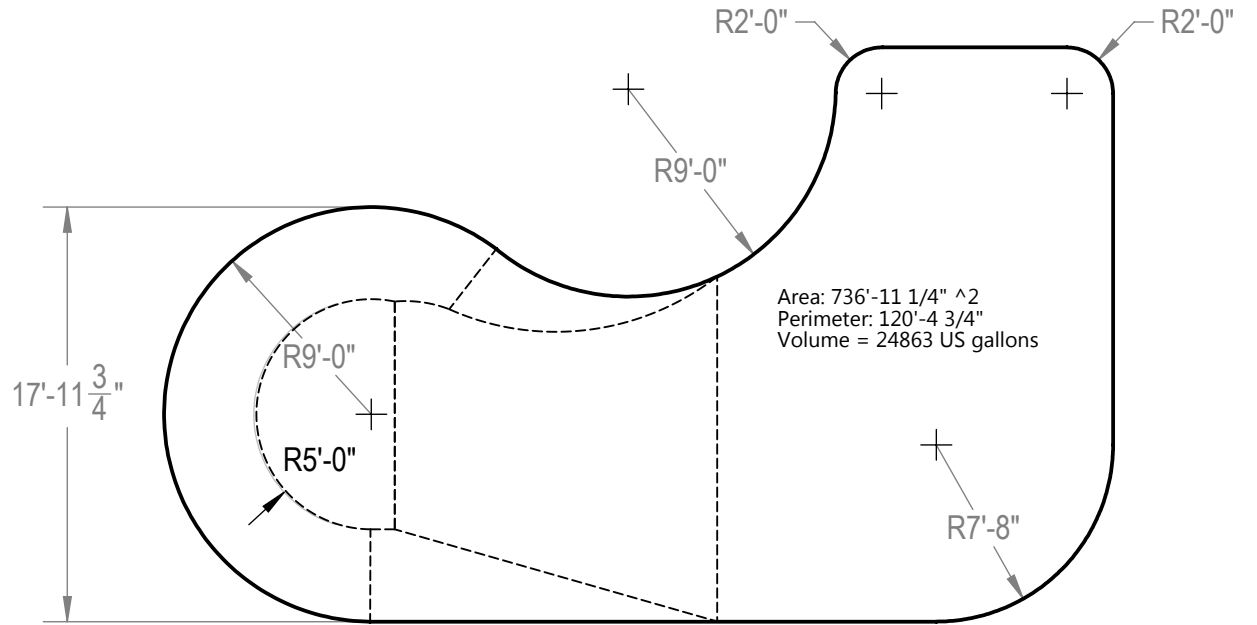
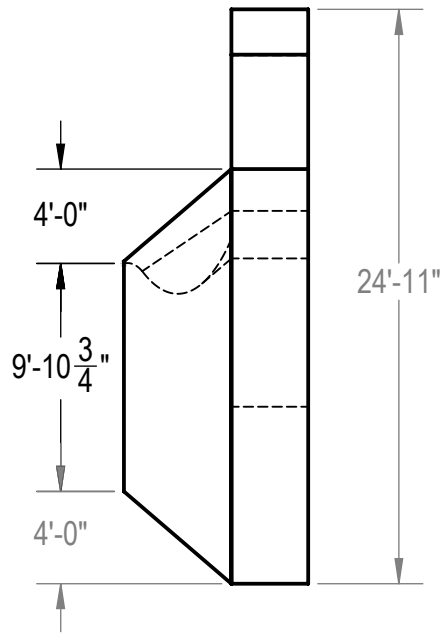
EXCAVATION NOTES:

- ROUGH EXCAVATION SHOULD BE 2" DEEPER IN EACH INSTANCE.
- SOIL TO HAVE MINIMUM BEARING CAPACITY OF 1500 PSF.
- LOCATE TOP OF POOL AT LEAST 6" ABOVE THE SURROUNDING LAND ELEVATION.
- SEE "OVER DIG DETAIL" FOR EXCAVATION AROUND POOL.
- FILL VOIDS UNDER BASE OF PANELS AND TAMP WELL.
- BACK FILL WITH NON-EXPANSIVE MATERIAL.
- ANSI / APSP / ICC-5 FOR RESIDENTIAL POOLS, 2003-2007 BOCA CODE SECTION 421.

IMPORTANT NOTES:

- THIS DOCUMENT IS FOR ILLUSTRATIVE PURPOSES ONLY. THE DEALER OR CONTRACTOR WHO SELLS OR INSTALLS YOUR POOL IS AN INDEPENDENT CONTRACTOR AND IS NOT AN AGENT OF THE MANUFACTURER. THE CONSTRUCTION METHODS ILLUSTRATED HERE ARE SUGGESTIONS AND APPLY ONLY TO NORMAL GROUND CONDITIONS. THERE MAY BE ADDITIONAL PRECAUTIONS AND/OR METHODS OF CONSTRUCTION. PROPER INSTALLATION IS THE RESPONSIBILITY OF THE DEALER/BUILDER/CONTRACTOR.

ENGINEERING DRAWING NUMBER: 00005092	WEIGHT: lbs	UNLESS OTHERWISE SPECIFIED DIMENSIONS ARE IN INCHES TOLERANCES DECIMALS: X ± .1 XX ± .01 XXX ± .001 XXXX ± .0005 ANGULAR: X ± 0.5 THIRD ANGLE PROJECTION	DESIGNED BY: RCOLBOCH	CREATION DATE: 9/6/2013	HYDRA POOLS TITLE: LAYOUT, 25' X 41'-3", NAUTILUS, RIGHT, 8' DEEP, 500 SERIES PART NUMBER: <div style="font-size: 2em; font-weight: bold;">50971</div>
	VOLUME: Inch ³		DETAILED BY: JBOSSERDET	DETAILED DATE: 10/5/2012	
	COLOR:		LAST REVISED BY: jbosserdet	LAST REVISED DATE: 1/29/2015	
	HEAT TREAT: NA		MATERIAL:	SCALE: 1:192	
FINISH: NA					SIZE: A
TEXTURE: NA					SHEET: 1 OF 6



NOTES:

1. THESE ARE FINISHED DIMENSIONS READY FOR THE LINER.
2. DIMENSIONS ARE FROM INSIDE POOL PANELS.
3. THE IDEAL WATER LEVER SHOULD BE TO THE MIDDLE OF THE SKIMMER OPENING(S).

EXCAVATION NOTES:

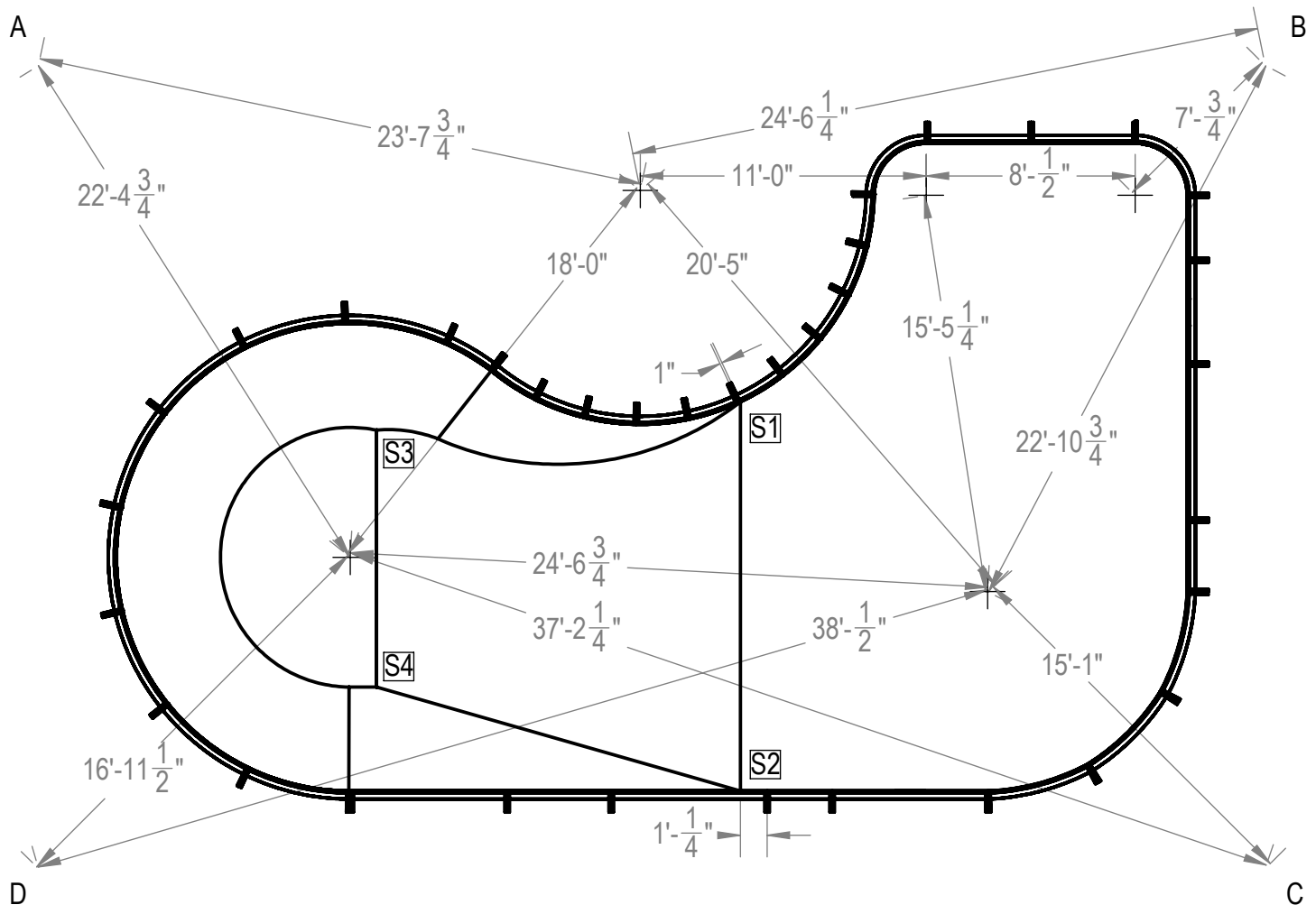
4. ROUGH EXCAVATION SHOULD BE 2" DEEPER IN EACH INSTANCE.
5. SOIL TO HAVE MINIMUM BEARING CAPACITY OF 1500 PSF.
6. LOCATE TOP OF POOL AT LEAST 6" ABOVE THE SURROUNDING LAND ELEVATION.
7. SEE "OVER DIG DETAIL" FOR EXCAVATION AROUND POOL.
8. FILL VOIDS UNDER BASE OF PANELS AND TAMP WELL.
9. BACK FILL WITH NON-EXPANSIVE MATERIAL.
10. ANSI / APSP / ICC-5 FOR RESIDENTIAL POOLS, 2003-2007 BOCA CODE SECTION 421.

IMPORTANT NOTES:

11. THIS DOCUMENT IS FOR ILLUSTRATIVE PURPOSES ONLY. THE DEALER OR CONTRACTOR WHO SELLS OR INSTALLS YOUR POOL IS AN INDEPENDENT CONTRACTOR AND IS NOT AN AGENT OF THE MANUFACTURER. THE CONSTRUCTION METHODS ILLUSTRATED HERE ARE SUGGESTIONS AND APPLY ONLY TO NORMAL GROUND CONDITIONS. THERE MAY BE ADDITIONAL PRECAUTIONS AND/OR METHODS OF CONSTRUCTION. PROPER INSTALLATION IS THE RESPONSIBILITY OF THE DEALER/BUILDER/CONTRACTOR.

ENGINEERING DRAWING NUMBER: 00005092	WEIGHT: 207488.354 lbs VOLUME: 5743259.492 Inch ³	UNLESS OTHERWISE SPECIFIED DIMENSIONS ARE IN INCHES TOLERANCES DECIMALS: X ± .1 XX ± .01 XXX ± .001 XXXX ± .0005 ANGULAR: X ± 0.5 THIRD ANGLE PROJECTION	DESIGNED BY: THARKENRIDER	CREATION DATE: 1/10/2014	HYDRA POOLS
	COLOR: NA HEAT TREAT: NA FINISH: NA TEXTURE: NA		DETAILED BY: JBOSSERDET	DETAILED DATE: 10/5/2012	
	MATERIAL: Water		LAST REVISED BY: jbosserdet	LAST REVISED DATE: 1/29/2015	TITLE: LAYOUT, 25' X 41'-3", NAUTILUS, RIGHT, 8' DEEP, 500 SERIES
	PART NUMBER: <div style="font-size: 2em; font-weight: bold; text-align: center;">50971</div>			SCALE: 1:192 SHEET: 2 OF 6	SIZE: <div style="font-size: 3em; font-weight: bold; text-align: center;">A</div>

A-S1	29'-10 1/2"
B-S1	24'-1"
A-S2	38'-10"
B-S2	34'-5 1/2"
A-S3	19'-1 1/2"
B-S3	36'-11 1/2"
A-S4	27'-2 3/4"
B-S4	41'-8 3/4"



ENGINEERING DRAWING NUMBER: 00005092	WEIGHT:	UNLESS OTHERWISE SPECIFIED DIMENSIONS ARE IN INCHES TOLERANCES DECIMALS: X ± .1 XX ± .01 XXX ± .001 XXXX ± .0005 ANGULAR: X ± 0.5 THIRD ANGLE PROJECTION	DESIGNED BY:	CREATION DATE:	HYDRA POOLS TITLE: LAYOUT, 25' X 41'-3", NAUTILUS, RIGHT, 8' DEEP, 500 SERIES PART NUMBER: 50971
	lbs		RCOLBOCH	9/6/2013	
	VOLUME:		DETAILED BY:	10/5/2012	
	Inch ³		JBOSSERDET		
	COLOR:		LAST REVISED BY:	1/29/2015	
NA	jbossdet				
HEAT TREAT:	MATERIAL:				
NA					
FINISH:					
NA					
TEXTURE:					
NA					

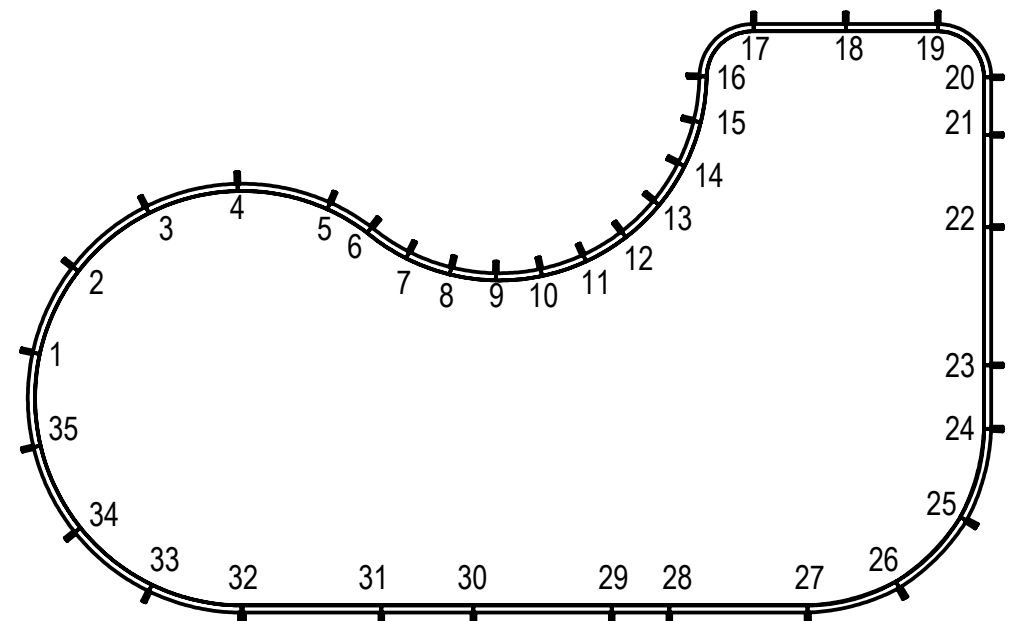
SCALE: 1:192
 SHEET: 3 OF 6
A

	A	B	C	D
1	17'-4"	14'-3"	46'-1 1/2"	47'-2"
2	14'-3 3/4"	18'-1 3/4"	45'-9"	44'-4 1/2"
3	13'-5 3/4"	21'-6 1/4"	44'- 3/4"	40'-9"
4	15'-4 3/4"	24'- 3/4"	41'-2"	36'-9 1/4"
5	18'-11 3/4"	25'-6 3/4"	37'-5 1/4"	33'-3 1/2"
6	25'-10 3/4"	21'-0"	32'-0"	35'-5"
7	23'-0"	26'-3 1/2"	33'-5"	30'-10 3/4"
8	24'-11 3/4"	27'-2 3/4"	31'-5 1/4"	29'-6"
9	26'-9 3/4"	28'-7 3/4"	29'-7 3/4"	27'-10 1/2"
10	28'-5 1/2"	30'-4 3/4"	28'-1 3/4"	26'- 1/2"
11	29'-10 1/2"	32'-4"	27'- 3/4"	24'-1"
12	31'- 1/4"	34'-4"	26'-6 1/2"	22'-1"
13	31'-10 1/2"	36'-4"	26'-7 1/4"	20'-1 1/4"
14	32'-5"	38'-2 1/4"	27'-3"	18'-3 1/2"
15	32'-7 3/4"	39'-10 1/2"	28'-5"	16'-9 3/4"
16	41'-3 3/4"	32'-6 1/4"	15'-10"	30'-0"
17	44'-1 3/4"	44'-1 3/4"	30'-9 1/2"	30'-9 1/2"
18	38'-3 1/2"	47'-3 1/2"	29'-4"	9'-5 3/4"
19	50'-7"	42'-3 1/2"	5'-10"	28'-4 1/2"
20	44'-5 1/2"	44'-5 1/2"	26'-1"	5'-10"
21	44'-9 3/4"	50'-0"	23'-7 1/4"	8'-1"
22	45'-7 3/4"	48'-3 1/4"	19'-7 3/4"	11'-10 1/2"
23	47'-6 1/4"	46'-2"	13'-9"	17'-9"
24	48'-7 1/4"	48'-7 1/4"	11'-1"	11'-1"
25	49'-5"	43'-8 1/4"	7'-11 1/4"	24'-5"
26	48'-5 1/2"	40'-6 1/2"	7'-11 1/2"	27'-8 3/4"
27	45'-11 1/2"	45'-11 1/2"	11'-1"	11'-1"
28	41'-4 1/4"	30'-8"	16'-11 1/4"	32'-6 1/4"
29	39'-6 1/2"	28'-2"	19'-4 3/4"	33'-10 1/2"
30	35'-6 3/4"	22'-2 1/2"	25'-4 1/4"	37'-7"
31	33'-2 3/4"	18'-3 1/4"	29'-4"	40'-4 1/2"
32	30'-4 3/4"	30'-4 1/4"	44'-11 3/4"	44'-10 3/4"
33	28'-3"	9'- 1/4"	39'-2 3/4"	47'-6"
34	25'-1 1/4"	8'- 3/4"	42'-7 1/2"	48'-9 3/4"
35	21'-3 1/2"	10'-4 3/4"	45'- 1/4"	48'-8 1/2"

A-B	47'-2 1/4"
B-C	30'-11"
A-C	56'-5"

A

B



D

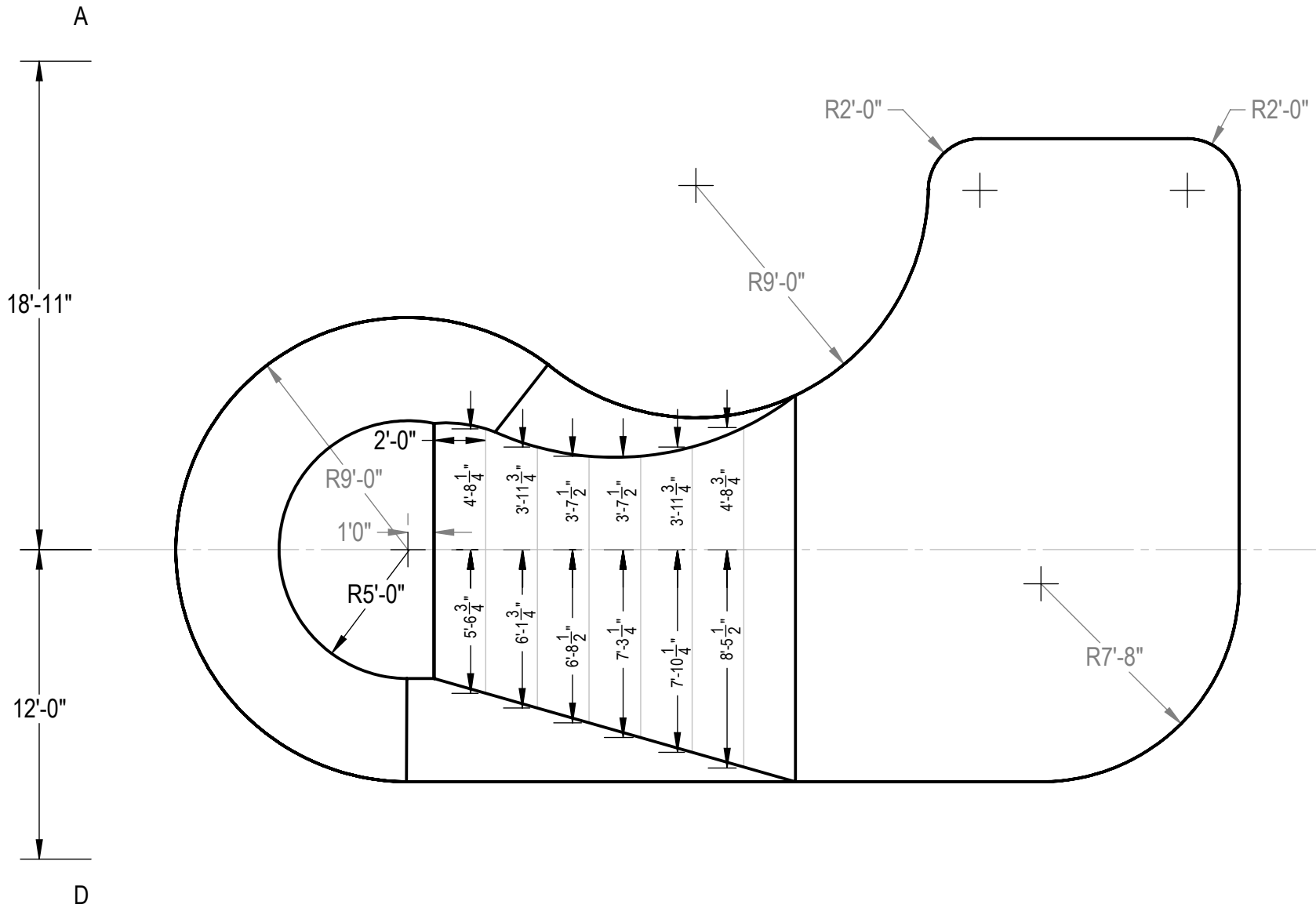
C

ENGINEERING DRAWING NUMBER:
00005092

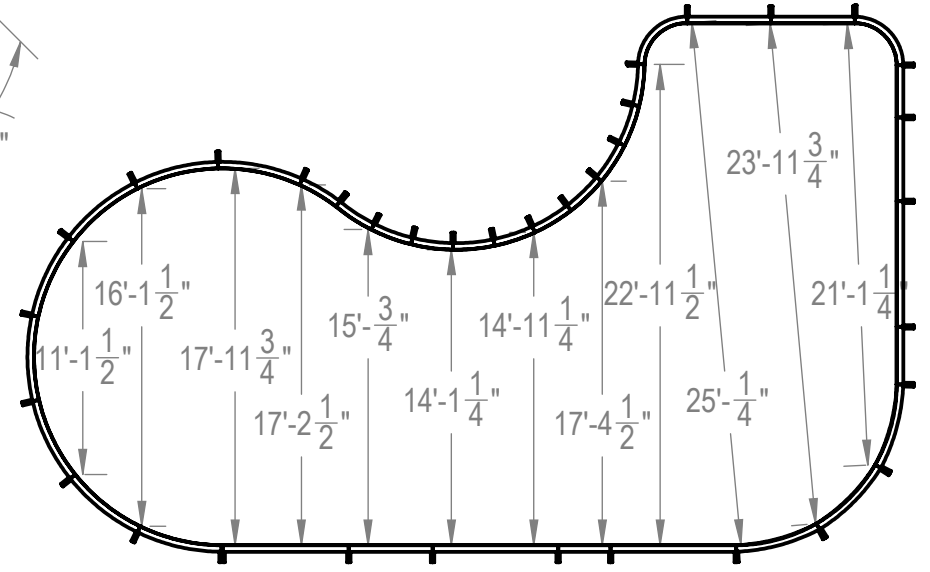
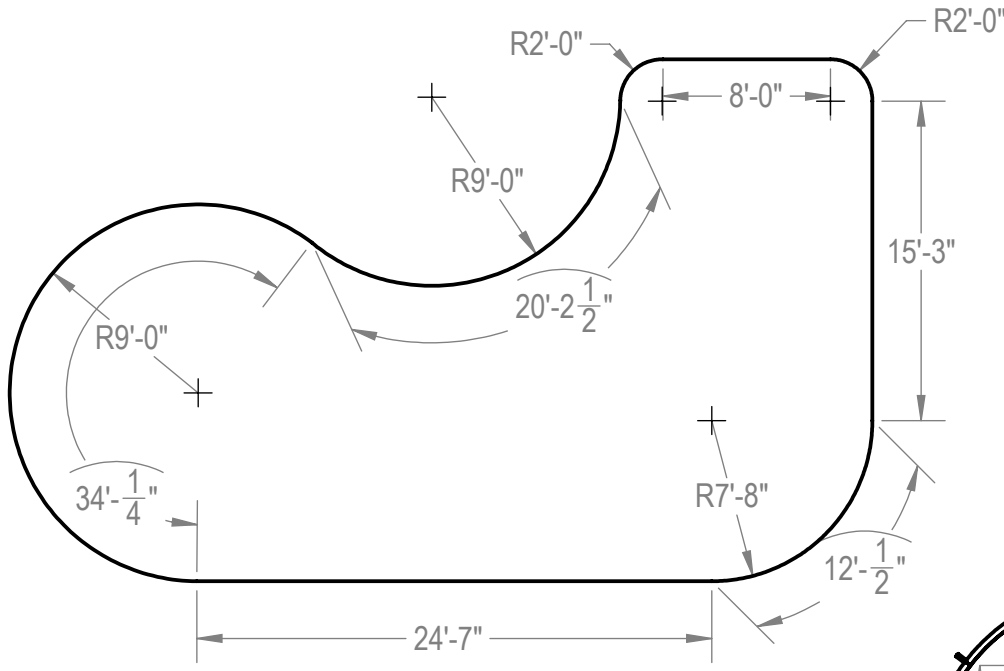
WEIGHT: lbs	UNLESS OTHERWISE SPECIFIED DIMENSIONS ARE IN INCHES TOLERANCES DECIMALS: X ± .1 XX ± .01 XXX ± .001 XXXX ± .0005 ANGULAR: X ± 0.5 THIRD ANGLE PROJECTION
VOLUME: Inch ³	
COLOR:	
HEAT TREAT:	
FINISH:	
TEXTURE:	

DESIGNED BY: RCOLBOCH	CREATION DATE: 9/6/2013
DETAILED BY: JBOSSEDET	DETAILED DATE: 10/5/2012
LAST REVISED BY: jbossedet	LAST REVISED DATE: 1/29/2015
MATERIAL:	

HYDRA POOLS	
TITLE: LAYOUT, 25' X 41'-3", NAUTILUS, RIGHT, 8' DEEP, 500 SERIES	
PART NUMBER:	50971
SCALE: 1:192	SIZE: A
SHEET: 4 OF 6	



ENGINEERING DRAWING NUMBER: 00005092	WEIGHT: 207488.354 lbs	UNLESS OTHERWISE SPECIFIED DIMENSIONS ARE IN INCHES TOLERANCES DECIMALS: X ± .1 XX ± .01 XXX ± .001 XXXX ± .0005 ANGULAR: X ± 0.5 THIRD ANGLE PROJECTION	DESIGNED BY: THARKENRIDER	CREATION DATE: 1/10/2014	HYDRA POOLS				
	VOLUME: 5743259.492 Inch ³		DETAILED BY: JBOSSEDET	DETAILED DATE: 10/5/2012					
	COLOR: NA		LAST REVISED BY: jbossedet	LAST REVISED DATE: 1/29/2015	TITLE: LAYOUT, 25' X 41'-3", NAUTILUS, RIGHT, 8' DEEP, 500 SERIES				
	HEAT TREAT: NA		MATERIAL: Water						
	FINISH: NA						PART NUMBER:	SCALE: 1:192	SIZE: A
	TEXTURE: NA						50971	SHEET: 5 OF 6	



ENGINEERING DRAWING NUMBER: 00005092	WEIGHT:	UNLESS OTHERWISE SPECIFIED DIMENSIONS ARE IN INCHES TOLERANCES DECIMALS: X ± .1 XX ± .01 XXX ± .001 XXXX ± .0005 ANGULAR: X ± 0.5 THIRD ANGLE PROJECTION	DESIGNED BY:	CREATION DATE:	HYDRA POOLS TITLE: LAYOUT, 25' X 41'-3", NAUTILUS, RIGHT, 8' DEEP, 500 SERIES PART NUMBER: <div style="font-size: 2em; font-weight: bold; text-align: center;">50971</div>
	lbs		RCOLBOCH	9/6/2013	
	VOLUME:		Detailed by:	Detailed Date:	
	Inch ³		JBOSSERDET	10/5/2012	
	COLOR:		LAST REVISED BY:	LAST REVISED DATE:	
	NA		jbosserdet	1/29/2015	
HEAT TREAT:	MATERIAL:				
NA			SCALE:	SIZE:	
FINISH:			1:192	A	
TEXTURE:			6 OF 6		
NA					