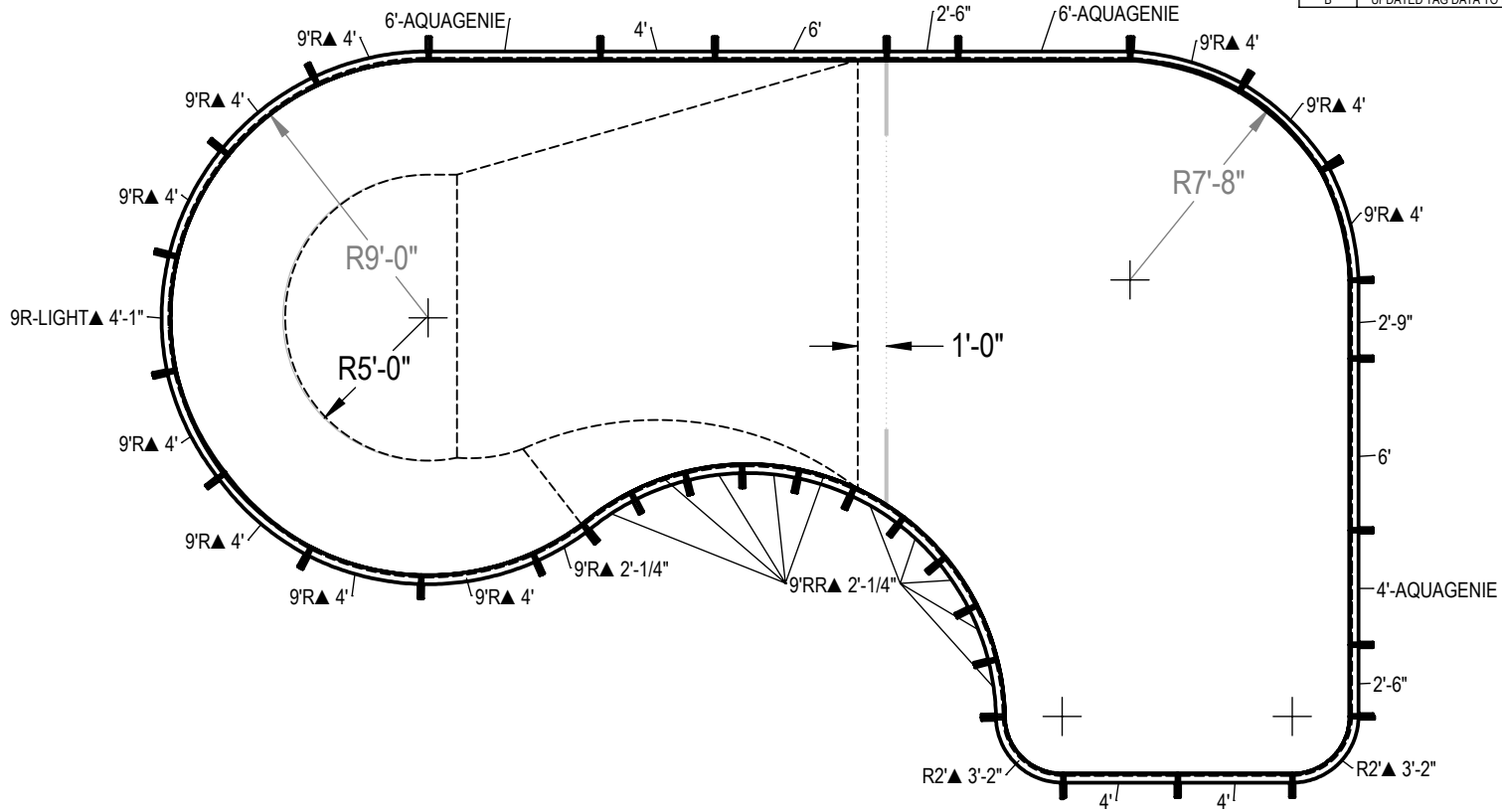


REVISION HISTORY				
REV.	DESCRIPTION	DATE	ECO	BY
A	2014 POLYMER DIG BOOK	9/6/2013		RCOLBOCH
B	UPDATED TAG DATA TO INCLUDE COPING LENGTHS.	1/29/2015	391702	JBOSSERDET



ITEM	FILE NAME	DESCRIPTION	CUSTOMER DRAWING #	VENDOR PART #	QTY.	VENDOR NAME	MATERIAL
1	BRACE	BRACE, 5 TAB, TRANQUILITY - 500 SERIES	HP599	HP599	35	HYDRA POOLS	PS
2	INSERT, 5" WEDGE	INSERT, 5" WEDGE	HP226	HP226	4	HYDRA POOLS, IA	PP Homopolymer
3	PANEL, 2'-9 IN LONG	PANEL, 2'-9" LONG - 500 SERIES	HP517	HP517	1	HYDRA POOLS	PS
4	PANEL, 2'-6 IN LONG	PANEL, 2'-6" LONG - 500 SERIES	HP583S	HP583S	2	HYDRA POOLS	PS
5	PANEL, 2' RADIUS	PANEL, 2' RADIUS - 500 SERIES	HP552M	HP552M	2	HYDRA POOLS	PS
6	PANEL, 4' LONG	PANEL, 4' LONG - 500 SERIES	HP504	HP504	3	HYDRA POOLS	PS
7	PANEL, 4' LONG WITH AQUAGENIE	PANEL, 4' LONG WITH AQUA GENIE - 500 SERIES	HP504A	HP504A	1	HYDRA POOLS	PS
8	PANEL, 6' LONG	PANEL, 6' LONG - 500 SERIES	HP506	HP506	2	HYDRA POOLS	PS
9	PANEL, 6' LONG WITH AQUAGENIE	PANEL, 6' LONG WITH AQUA GENIE - 500 SERIES	HP506A	HP506A	2	HYDRA POOLS	PS
10	PANEL, 9' RADIUS WITH LIGHT	PANEL, 9' RADIUS WITH LIGHT - 500 SERIES	HP559LL	HP559LL	1	HYDRA POOLS	PS
11	PANEL, 9' RADIUS, 2' LONG	PANEL, 9' RADIUS, 2' LONG, INSERT OVAL - 500 SERIES	HP510	HP510	1	HYDRA POOLS	PS
12	PANEL, 9' RADIUS, 4' LONG	PANEL, 9' RADIUS, 4' LONG - 500 SERIES	HP559	HP559	10	HYDRA POOLS	PS
13	PANEL, 9' REVERSE RADIUS	PANEL, 9' REVERSE RADIUS - 500 SERIES	HP519N	HP519N	10	HYDRA POOLS	PS

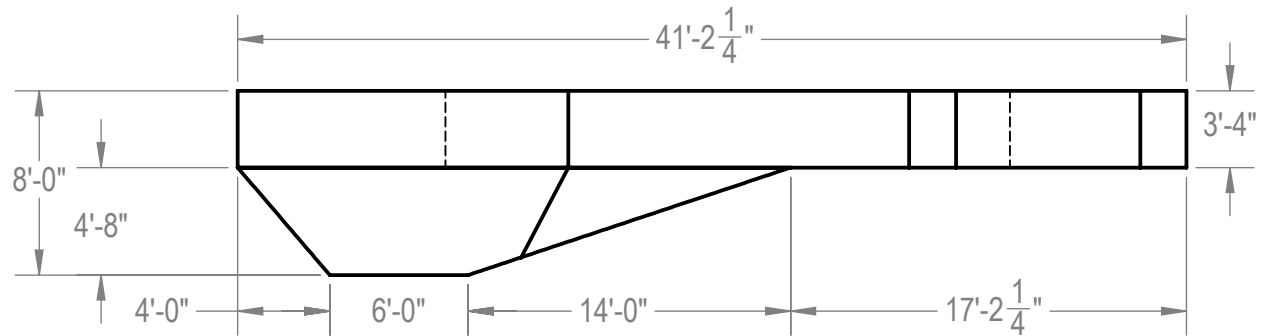
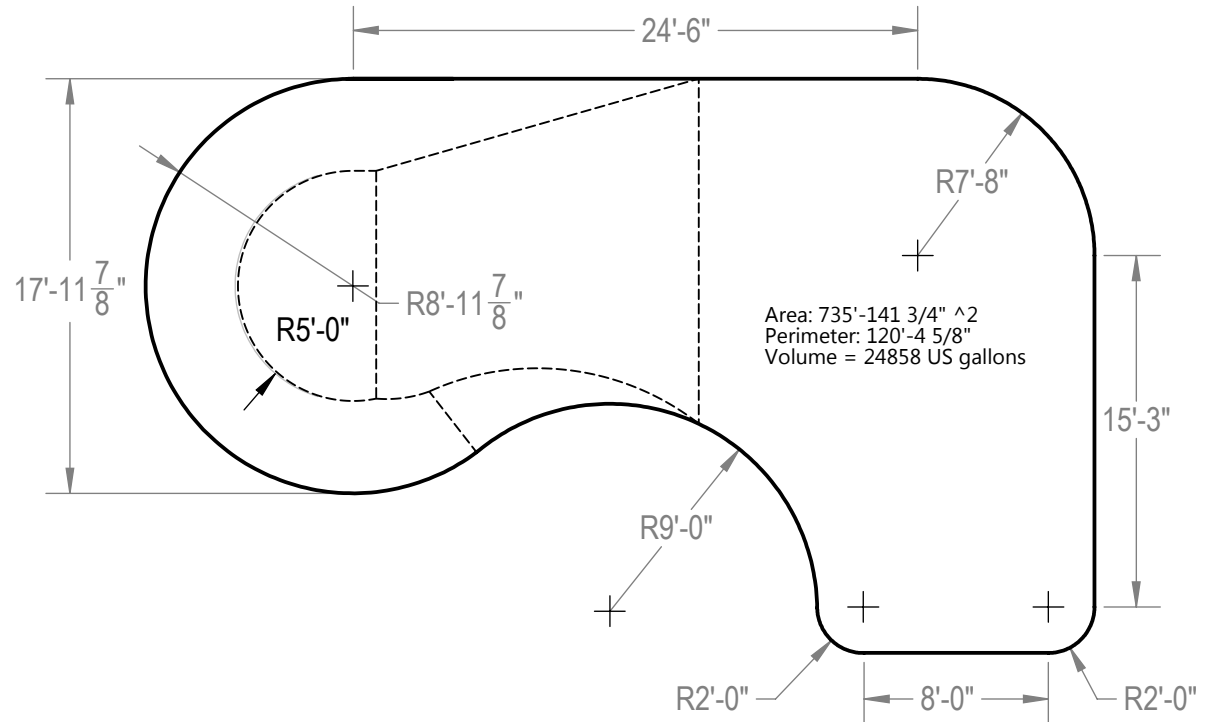
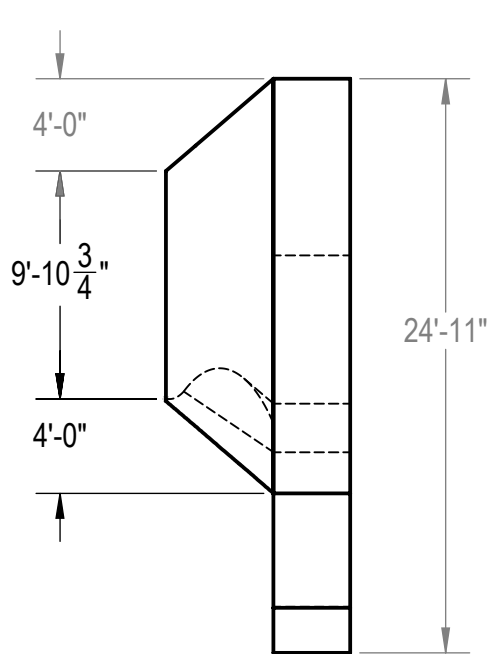
NOTES:

- THESE ARE FINISHED DIMENSIONS READY FOR THE LINER. DIMENSIONS ARE FROM INSIDE POOL PANELS.
 - THE IDEAL WATER LEVEL SHOULD BE TO THE MIDDLE OF THE SKIMMER OPENING(S).
- EXCAVATION NOTES:**
- ROUGH EXCAVATION SHOULD BE 2" DEEPER IN EACH INSTANCE.
 - SOIL TO HAVE MINIMUM BEARING CAPACITY OF 1500 PSF.
 - LOCATE TOP OF POOL AT LEAST 6" ABOVE THE SURROUNDING LAND ELEVATION.
 - SEE "OVER DIG DETAIL" FOR EXCAVATION AROUND POOL.
 - FILL FLOOD UNDER BASE OF PANELS AND TAMP WELL.
 - BACK FILL WITH NON-EXPANSIVE MATERIAL.
 - ANSI / APSP / ICC-5 FOR RESIDENTIAL POOLS, 2003-2007 BOCA CODE SECTION 421.

IMPORTANT NOTES:

- THIS DOCUMENT IS FOR ILLUSTRATIVE PURPOSES ONLY. THE DEALER OR CONTRACTOR WHO SELLS OR INSTALLS YOUR POOL IS AN INDEPENDENT CONTRACTOR AND IS NOT AN AGENT OF THE MANUFACTURER. THE CONSTRUCTION METHODS ILLUSTRATED HERE ARE SUGGESTIONS AND APPLY ONLY TO NORMAL GROUND CONDITIONS. THERE MAY BE ADDITIONAL PRECAUTIONS AND/OR METHODS OF CONSTRUCTION. PROPER INSTALLATION IS THE RESPONSIBILITY OF THE DEALER/BUILDER/CONTRACTOR.

ENGINEERING DRAWING NUMBER: 00005085	UNLESS OTHERWISE SPECIFIED DIMENSIONS ARE IN INCHES TOLERANCES DECIMALS: X ± .1 XX ± .01 XXX ± .001 XXXX ± .0005	DESIGNED BY: RCOLBOCH DETAILED BY: JBOSSERDET LAST REVISED BY: jbosserdet MATERIAL:	CREATION DATE: 9/6/2013 DETAILED DATE: 10/5/2012 LAST REVISED DATE: 1/29/2015	HYDRA POOLS TITLE: LAYOUT, 25' X 41'-3", NAUTILUS, LEFT, 8' DEEP, 500 SERIES PART NUMBER: <div style="font-size: 2em; font-weight: bold; margin-top: 10px;">50970</div>	
	WEIGHT: lbs VOLUME: Inch ³ COLOR: NA HEAT TREAT: NA FINISH: NA TEXTURE: NA	ANGULAR: X ± 0.5 THIRD ANGLE PROJECTION 	SCALE: 1:192 SHEET: 1 OF 6		SIZE: <div style="font-size: 3em; font-weight: bold; margin-top: 5px;">A</div>



NOTES:

1. THESE ARE FINISHED DIMENSIONS READY FOR THE LINER.
2. DIMENSIONS ARE FROM INSIDE POOL PANELS.
3. THE IDEAL WATER LEVEL SHOULD BE TO THE MIDDLE OF THE SKIMMER OPENING(S).

EXCAVATION NOTES:

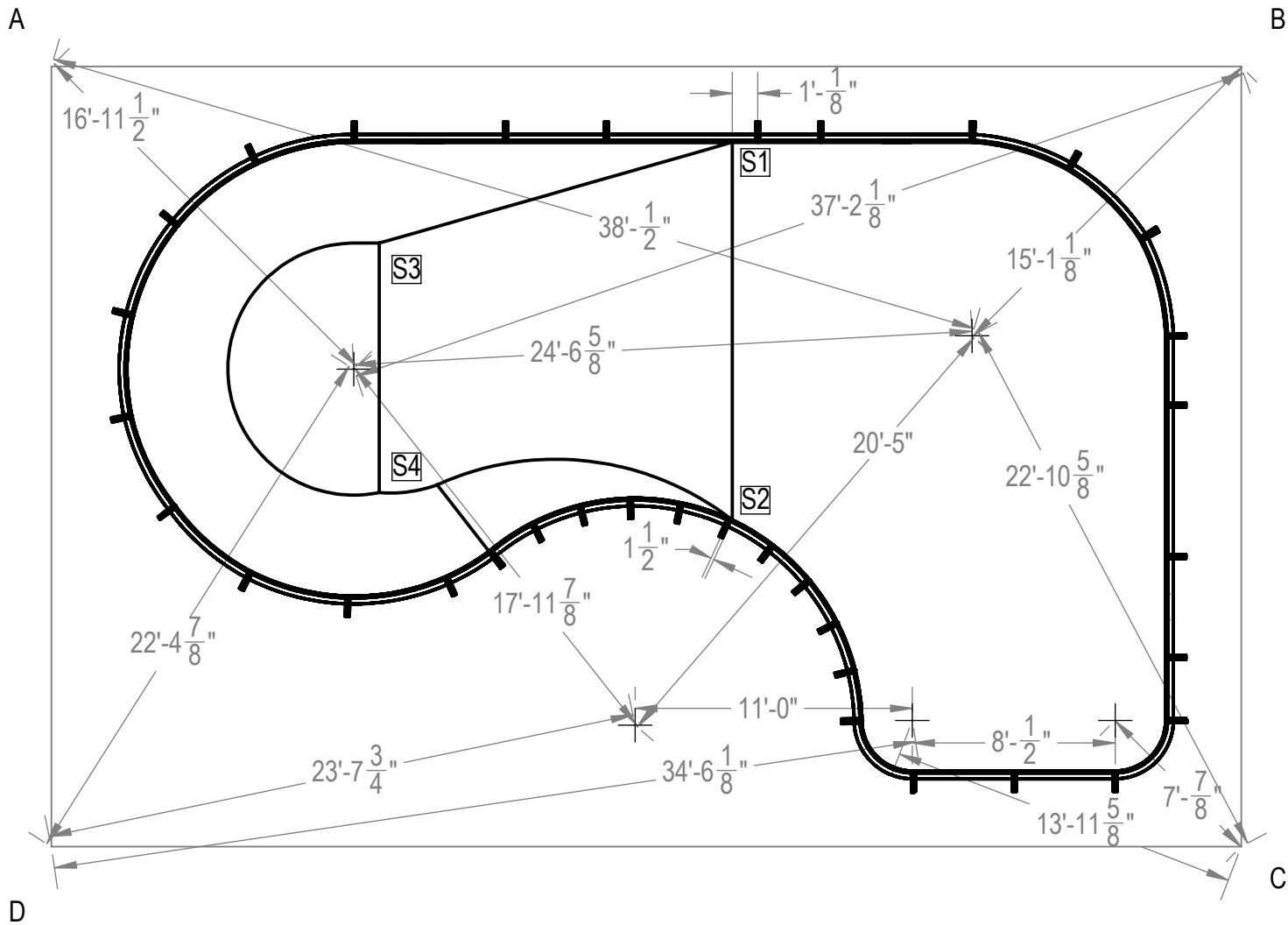
4. ROUGH EXCAVATION SHOULD BE 2" DEEPER IN EACH INSTANCE.
5. SOIL TO HAVE MINIMUM BEARING CAPACITY OF 1500 PSF.
6. LOCATE TOP OF POOL AT LEAST 6" ABOVE THE SURROUNDING LAND ELEVATION.
7. SEE "OVER DIG DETAIL" FOR EXCAVATION AROUND POOL.
8. FILL VOIDS UNDER BASE OF PANELS AND TAMP WELL.
9. BACK FILL WITH NON-EXPANSIVE MATERIAL.
10. ANSI / APSP / ICC-5 FOR RESIDENTIAL POOLS, 2003-2007 BOCA CODE SECTION 421.

IMPORTANT NOTES:

11. THIS DOCUMENT IS FOR ILLUSTRATIVE PURPOSES ONLY. THE DEALER OR CONTRACTOR WHO SELLS OR INSTALLS YOUR POOL IS AN INDEPENDENT CONTRACTOR AND IS NOT AN AGENT OF THE MANUFACTURER. THE CONSTRUCTION METHODS ILLUSTRATED HERE ARE SUGGESTIONS AND APPLY ONLY TO NORMAL GROUND CONDITIONS. THERE MAY BE ADDITIONAL PRECAUTIONS AND/OR METHODS OF CONSTRUCTION. PROPER INSTALLATION IS THE RESPONSIBILITY OF THE DEALER/BUILDER/CONTRACTOR.

ENGINEERING DRAWING NUMBER: 00005085	WEIGHT: 207448.623 lbs VOLUME: 5742159.743 Inch ³	UNLESS OTHERWISE SPECIFIED DIMENSIONS ARE IN INCHES TOLERANCES DECIMALS: X ± .1 XX ± .01 XXX ± .001 XXXX ± .0005 ANGULAR: X ± 0.5 THIRD ANGLE PROJECTION	DESIGNED BY: THARKENRIDER CREATION DATE: 1/10/2014	HYDRA POOLS			
	COLOR: NA HEAT TREAT: NA FINISH: NA TEXTURE: NA		DETAILED BY: JBOSSERDET DETAILED DATE: 10/5/2012			LAST REVISED BY: jbosserdet LAST REVISED DATE: 1/29/2015	
				MATERIAL: Water		TITLE: LAYOUT, 25' X 41'-3", NAUTILUS, LEFT, 8' DEEP, 500 SERIES	
				PART NUMBER: <div style="font-size: 2em; font-weight: bold;">50970</div>	SCALE: 1:192 SHEET: 2 OF 6	SIZE: <div style="font-size: 2em; font-weight: bold;">A</div>	

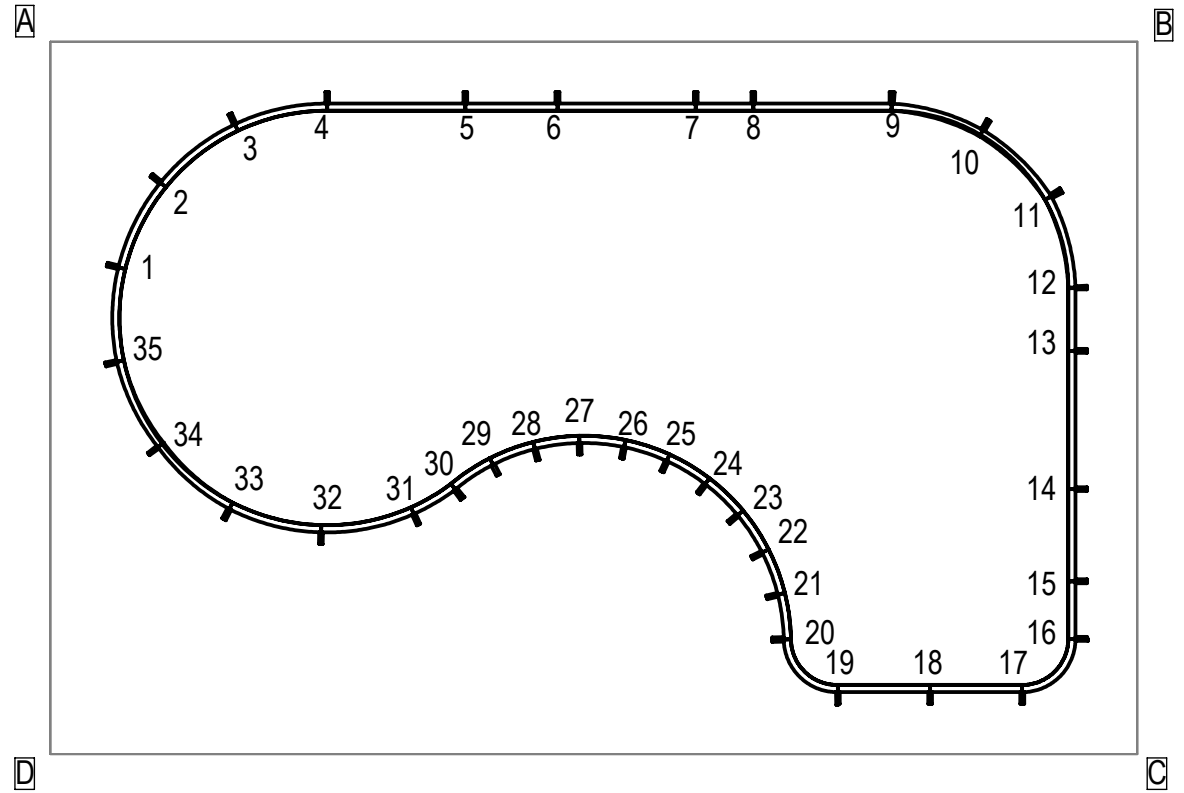
A-S1	27'-2"
B-S1	20'-4 7/8"
A-S2	32'-3 5/8"
B-S2	27'- 7/8"
A-S3	14'-9 1/8"
B-S3	34'-10 3/4"
A-S4	21'-3 3/4"
B-S4	38'-1 1/2"



ENGINEERING DRAWING NUMBER: 00005085	WEIGHT: lbs	UNLESS OTHERWISE SPECIFIED DESIGNED BY: RCOLBOCH CREATION DATE: 9/6/2013	HYDRA POOLS		
	VOLUME: Inch ³			DIMENSIONS ARE IN INCHES	DETAILED BY: JBOSSEDET DETAILED DATE: 10/5/2012
	COLOR:			TOLERANCES	LAST REVISED BY: jbossedet LAST REVISED DATE: 1/29/2015
	HEAT TREAT:			DECIMALS: X ± .1 XX ± .01 XXX ± .001 XXXX ± .0005	TITLE: LAYOUT, 25' X 41'-3", NAUTILUS, LEFT, 8' DEEP, 500 SERIES
	FINISH:			ANGULAR: X ± 0.5	PART NUMBER: 50970
TEXTURE:	THIRD ANGLE PROJECTION	SCALE: 1:192	SIZE: A		
			SHEET: 3 OF 6		

	A	B	C	D
1	10'-4 3/4"	45'- 1/4"	48'-8 1/2"	21'-3 5/8"
2	8'- 3/4"	42'-7 5/8"	48'-9 3/4"	25'-1 3/8"
3	9'- 1/8"	39'-2 3/4"	47'-6"	28'-3"
4	12'-4 5/8"	35'-3 5/8"	44'-10 7/8"	30'-4 3/4"
5	18'-3 1/8"	29'-3 7/8"	40'-4 1/2"	33'-2 3/4"
6	22'-2 5/8"	25'-4 1/8"	37'-7 1/8"	35'-6 5/8"
7	28'-2 1/8"	19'-4 7/8"	33'-10 3/8"	39'-6 5/8"
8	30'-7 7/8"	16'-11 1/4"	32'-6 1/4"	41'-4 1/4"
9	36'-7 5/8"	11'-1"	29'-10 5/8"	45'-11 5/8"
10	40'-6 3/8"	8'-0"	27'-8 1/8"	48'-5 1/8"
11	43'-8 5/8"	7'-11 3/8"	24'-4 5/8"	49'-5"
12	45'-5 3/8"	11'-1 3/8"	20'-5 5/8"	48'-7 1/4"
13	46'-2 1/8"	13'-9"	17'-9 1/8"	47'-6 1/4"
14	48'-3 1/8"	19'-7 3/4"	11'-10 5/8"	45'-7 7/8"
15	50'- 1/8"	23'-7 3/8"	8'- 7/8"	44'-9 3/4"
16	51'-2 3/4"	26'-1 1/8"	5'-10"	44'-5 5/8"
17	50'-7"	28'-4 3/8"	5'-10"	42'-3 1/2"
18	47'-3 5/8"	29'-4"	9'-5 7/8"	38'-3 5/8"
19	44'-1 5/8"	30'-9 5/8"	13'-4 1/8"	34'-3 3/4"
20	41'-3 3/4"	30'-0"	15'-10"	32'-6 3/8"
21	39'-10 1/4"	28'-4 7/8"	16'-9 7/8"	32'-7 5/8"
22	38'-2 1/8"	27'-2 7/8"	18'-3 3/4"	32'-5"
23	36'-3 3/4"	26'-7 1/8"	20'-1 3/8"	31'-10 1/2"
24	34'-3 7/8"	26'-6 1/2"	22'-1 1/8"	31'- 1/8"
25	32'-3 5/8"	27'- 7/8"	24'-1 1/4"	29'-10 3/8"
26	30'-4 3/8"	28'-1 7/8"	26'- 3/4"	28'-5 3/8"
27	28'-7 5/8"	29'-7 7/8"	27'-10 5/8"	26'-9 1/2"
28	27'-2 3/4"	31'-5 1/2"	29'-6 1/8"	24'-11 1/2"
29	26'-3 3/8"	33'-5 1/8"	30'-10 7/8"	22'-11 7/8"
30	25'-10 3/4"	35'-5 3/4"	32'- 1/2"	20'-11 1/4"
31	25'-6 3/4"	37'-5 1/2"	33'-3 5/8"	18'-11 1/2"
32	24'- 5/8"	41'-2 1/8"	36'-9 1/2"	15'-4 3/4"
33	21'-6 1/4"	44'- 7/8"	40'-9 1/8"	13'-5 3/4"
34	18'-1"	45'-8 1/2"	44'-4 1/2"	14'-4 5/8"
35	14'-2 3/8"	46'-1 3/8"	47'-2 3/8"	17'-4 5/8"

A-B	47'-2 1/4"
B-C	30'-11"
A-C	56'-5"

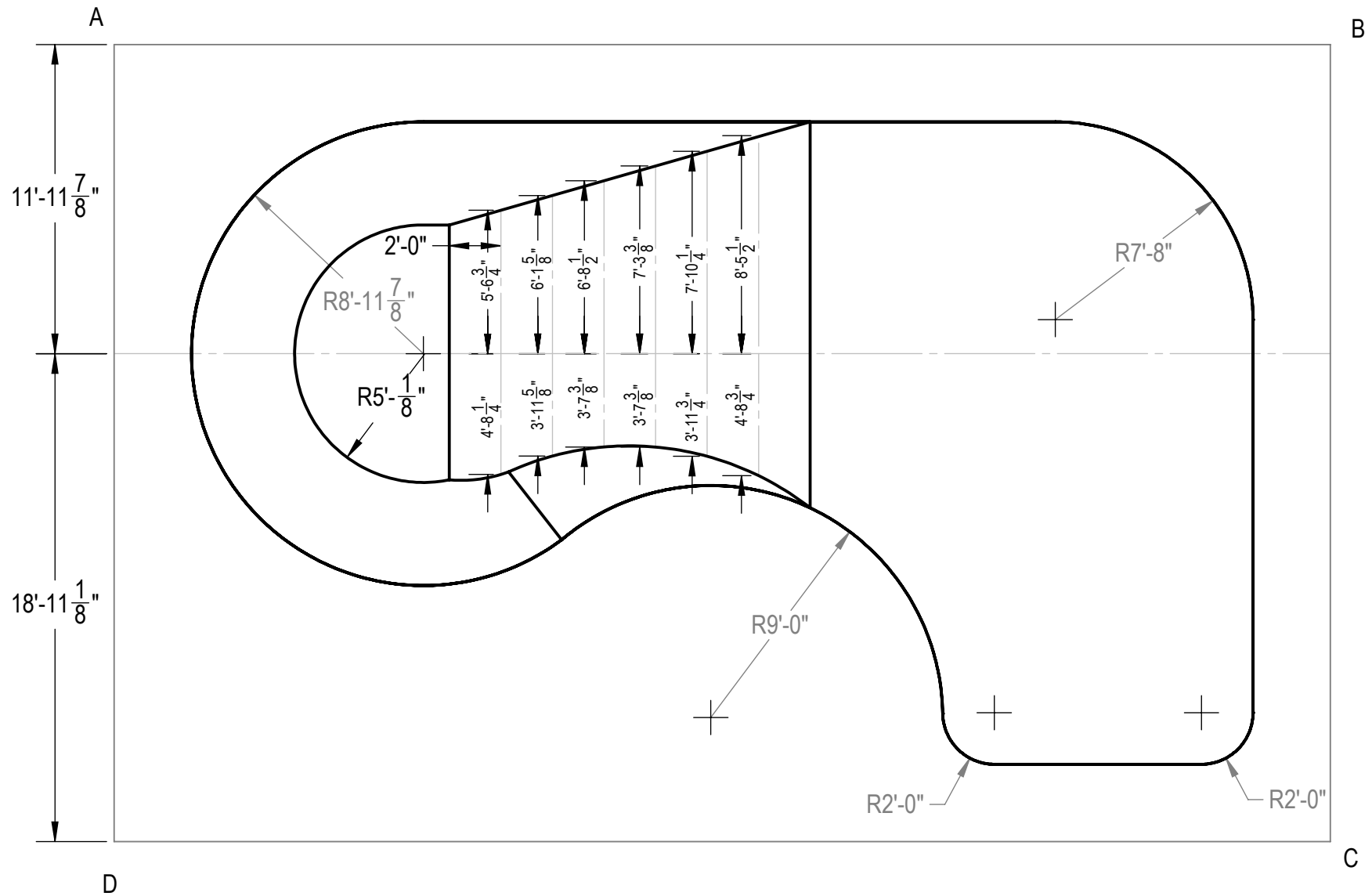


ENGINEERING DRAWING NUMBER:
00005085

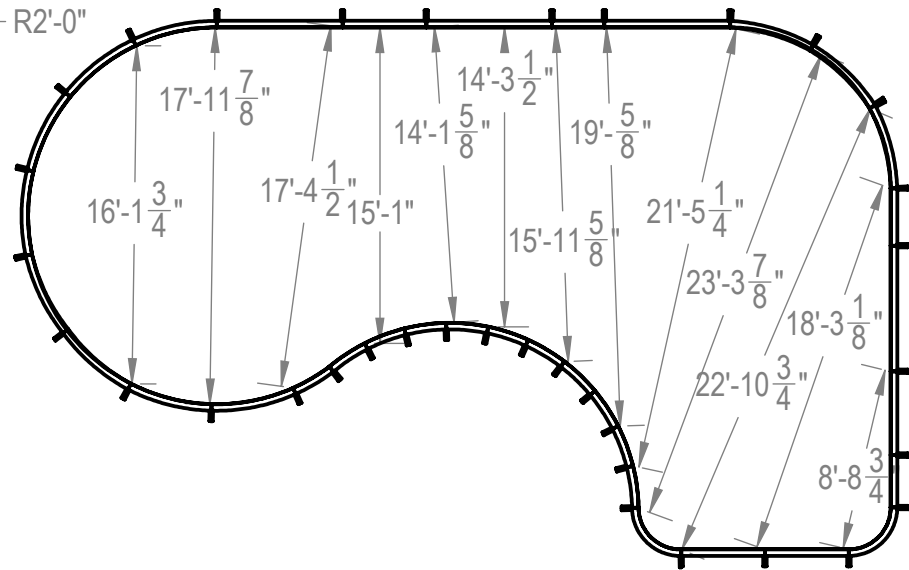
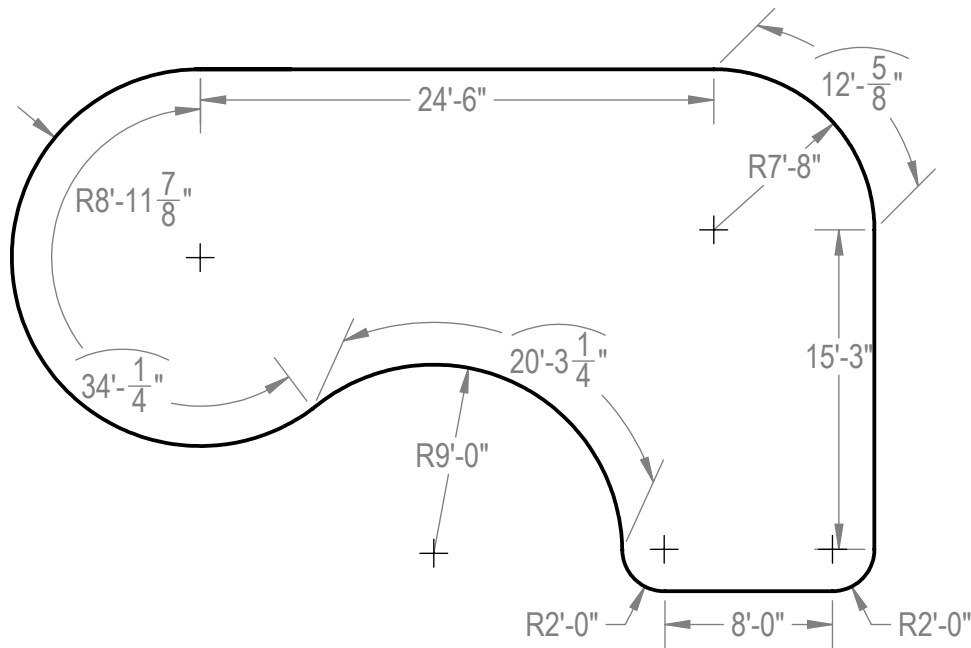
WEIGHT: lbs	UNLESS OTHERWISE SPECIFIED DIMENSIONS ARE IN INCHES TOLERANCES DECIMALS: X ± .1 XX ± .01 XXX ± .001 XXXX ± .0005 ANGULAR: X ± 0.5 THIRD ANGLE PROJECTION	DESIGNED BY: RCOLBOCH	CREATION DATE: 9/6/2013
VOLUME: Inch ³		DETAILED BY: JBOSSEDET	DETAILED DATE: 10/5/2012
COLOR:		LAST REVISED BY: jbossedet	LAST REVISED DATE: 1/29/2015
HEAT TREAT: NA		MATERIAL:	
FINISH: NA			
TEXTURE: NA			

TITLE: LAYOUT, 25' X 41'-3", NAUTILUS, LEFT, 8' DEEP, 500 SERIES PART NUMBER:

HYDRA POOLS	
50970	SCALE: 1:192 SHEET: 4 OF 6 A



ENGINEERING DRAWING NUMBER: 00005085	WEIGHT: 207448.623 lbs	UNLESS OTHERWISE SPECIFIED DIMENSIONS ARE IN INCHES TOLERANCES DECIMALS: X ± .1 XX ± .01 XXX ± .001 XXXX ± .0005 ANGULAR: X ± 0.5 THIRD ANGLE PROJECTION	DESIGNED BY: THARKENRIDER	CREATION DATE: 1/10/2014	HYDRA POOLS TITLE: LAYOUT, 25' X 41'-3", NAUTILUS, LEFT, 8' DEEP, 500 SERIES	
	VOLUME: 5742159.743 Inch ³		DETAILED BY: JBOSSEDET	DETAILED DATE: 10/5/2012		
	COLOR: NA		LAST REVISED BY: jbossedet	LAST REVISED DATE: 1/29/2015		
	HEAT TREAT: NA		MATERIAL: Water	PART NUMBER: 50970	SCALE: 1:192	SIZE: A
	FINISH: NA				SHEET: 5 OF 6	
TEXTURE: NA						



ENGINEERING DRAWING NUMBER: 00005085	WEIGHT:	UNLESS OTHERWISE SPECIFIED DIMENSIONS ARE IN INCHES TOLERANCES DECIMALS: X ± .1 XX ± .01 XXX ± .001 XXXX ± .0005 ANGULAR: X ± 0.5 THIRD ANGLE PROJECTION	DESIGNED BY:	CREATION DATE:	HYDRA POOLS TITLE: LAYOUT, 25' X 41'-3", NAUTILUS, LEFT, 8' DEEP, 500 SERIES
	lbs		RCOLBOCH	9/6/2013	
	VOLUME:		DETAILED BY:	DETAILED DATE:	
	Inch ³		JBOSSERDET	10/5/2012	
	COLOR:		LAST REVISED BY:	LAST REVISED DATE:	
	NA		jbosserdet	1/29/2015	
HEAT TREAT:	MATERIAL:	PART NUMBER:	SCALE:	SIZE:	
NA		50970	1:192	A	
FINISH:			SHEET:		
NA			6 OF 6		
TEXTURE:					
NA					