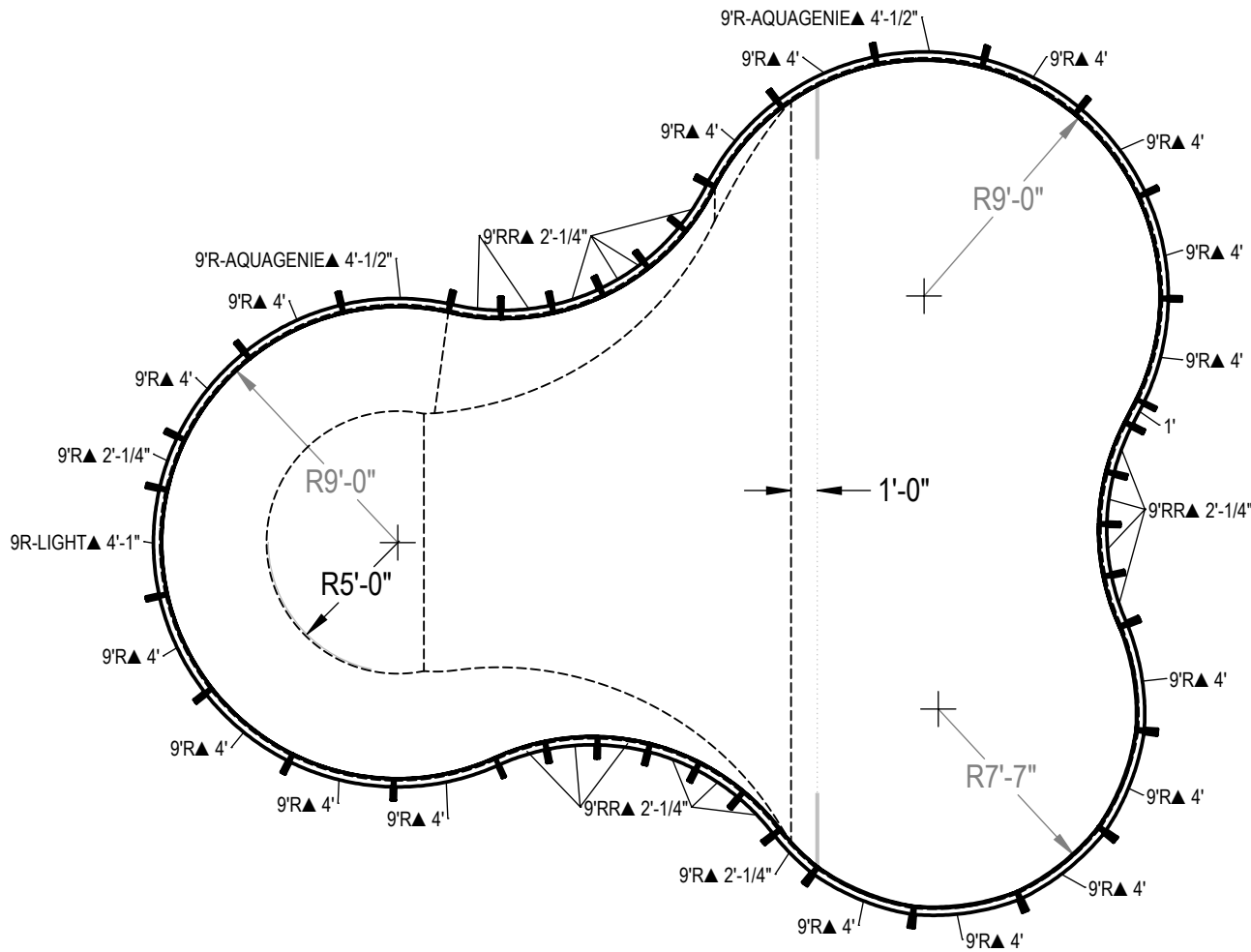


REVISION HISTORY				
REV.	DESCRIPTION	DATE	ECO	BY
A	2014 POLYMER DIG BOOK	01/10/14	NONE	THARKENRIDER
B	UPDATED TAG DATA TO INCLUDE COPING LENGTHS.	1/29/2015	391702	JBOSSERDET



NOTES:

- THESE ARE FINISHED DIMENSIONS READY FOR THE LINER.
- DIMENSIONS ARE FROM INSIDE POOL PANELS.
- THE IDEAL WATER LEVER SHOULD BE TO THE MIDDLE OF THE SKIMMER OPENING(S).

EXCAVATION NOTES:

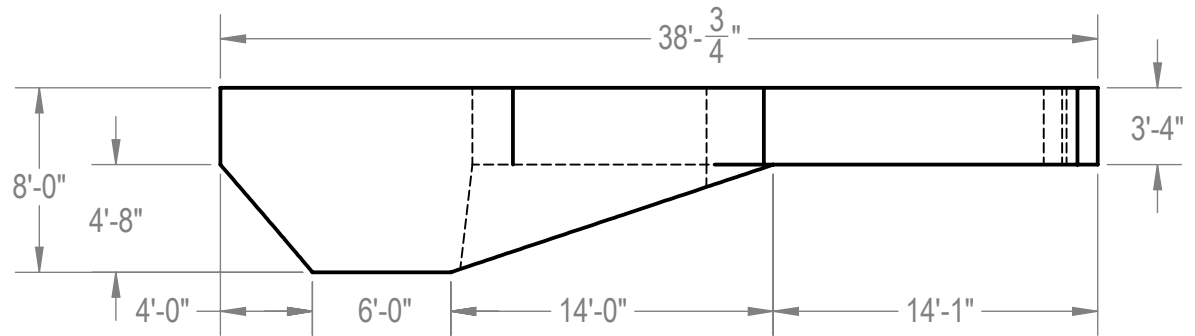
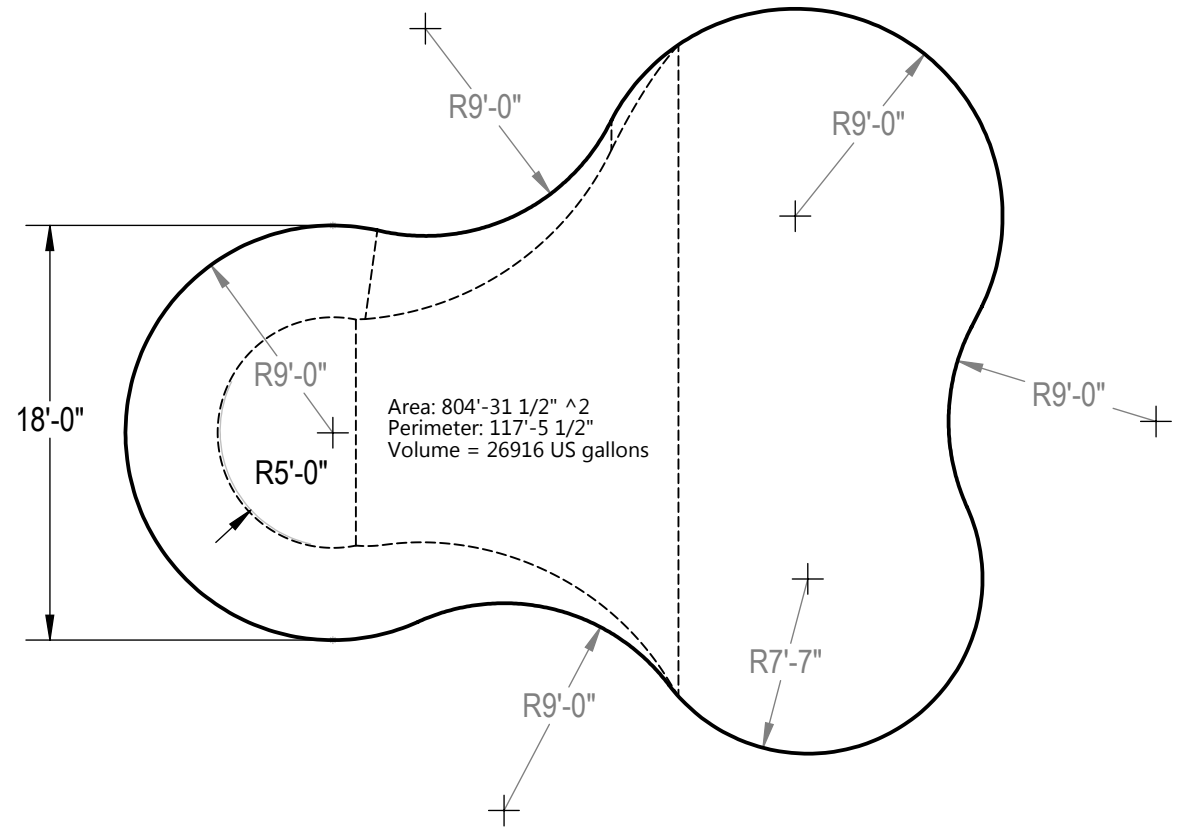
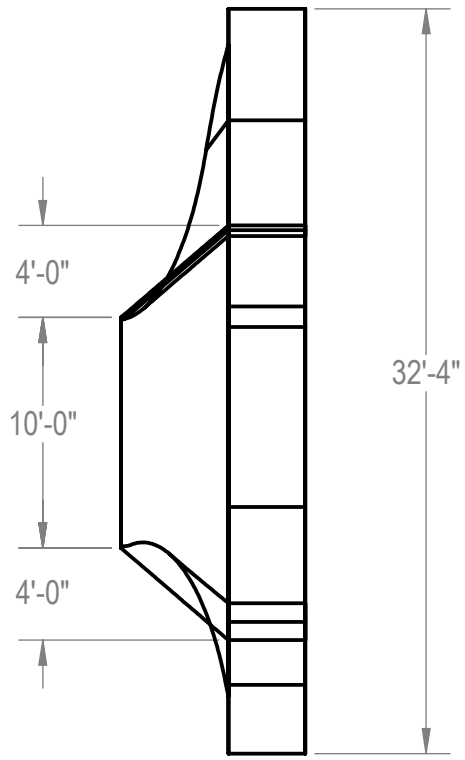
- ROUGH EXCAVATION SHOULD BE 2" DEEPER IN EACH INSTANCE.
- SOIL TO HAVE MINIMUM BEARING CAPACITY OF 1500 PSF.
- LOCATE TOP OF POOL AT LEAST 6" ABOVE THE SURROUNDING LAND ELEVATION.
- SEE "OVER DIG DETAIL" FOR EXCAVATION AROUND POOL.
- FILL VOIDS UNDER BASE OF PANELS AND TAMP WELL.
- BACK FILL WITH NON-EXPANSIVE MATERIAL.
- ANSI / APSP / ICC-5 FOR RESIDENTIAL POOLS, 2003-2007 BOCA CODE SECTION 421.

IMPORTANT NOTES:

- THIS DOCUMENT IS FOR ILLUSTRATIVE PURPOSES ONLY. THE DEALER OR CONTRACTOR WHO SELLS OR INSTALLS YOUR POOL IS AN INDEPENDENT CONTRACTOR AND IS NOT AN AGENT OF THE MANUFACTURER. THE CONSTRUCTION METHODS ILLUSTRATED HERE ARE SUGGESTIONS AND APPLY ONLY TO NORMAL GROUND CONDITIONS. THERE MAY BE ADDITIONAL PRECAUTIONS AND/OR METHODS OF CONSTRUCTION. PROPER INSTALLATION IS THE RESPONSIBILITY OF THE DEALER/BUILDER/CONTRACTOR.

ITEM	FILE NAME	DESCRIPTION	CUSTOMER DRAWING #	VENDOR PART #	QTY.	VENDOR NAME	MATERIAL
1	BRACE	BRACE, 5 TAB, TRANQUILITY - 500 SERIES	HP599	HP599	39	HYDRA POOLS	PS
2	INSERT, 5" WEDGE	INSERT, 5" WEDGE	HP226	HP226	6	HYDRA POOLS, IA	PP Homopolymer
3	PANEL, 1' LONG	PANEL, 1' LONG - 500 SERIES	HP501	HP501	1	HYDRA POOLS	PS
4	PANEL, 9' RADIUS WITH AQUAGENIE	PANEL, 9' RADIUS WITH AQUAGENIE - 500 SERIES	HP559A	HP559A	2	HYDRA POOLS	PS
5	PANEL, 9' RADIUS WITH LIGHT	PANEL, 9' RADIUS WITH LIGHT - 500 SERIES	HP559LL	HP559LL	1	HYDRA POOLS	PS
6	PANEL, 9' RADIUS, 2' LONG	PANEL, 9' RADIUS, 2' LONG, INSERT OVAL - 500 SERIES	HP510	HP510	2	HYDRA POOLS	PS
7	PANEL, 9' RADIUS, 4' LONG	PANEL, 9' RADIUS, 4' LONG - 500 SERIES	HP559	HP559	17	HYDRA POOLS	PS
8	PANEL, 9' REVERSE RADIUS	PANEL, 9' REVERSE RADIUS - 500 SERIES	HP519N	HP519N	16	HYDRA POOLS	PS

ENGINEERING DRAWING NUMBER: 00005067	WEIGHT: lbs	UNLESS OTHERWISE SPECIFIED DIMENSIONS ARE IN INCHES TOLERANCES DECIMALS: X ± .1 XX ± .01 XXX ± .001 XXXX ± .0005	DESIGNED BY: RCOLBOCH	CREATION DATE: 7/1/2013	HYDRA POOLS
	VOLUME: Inch ³		DETAILED BY: JBOSSERDET	DETAILED DATE: 10/5/2012	
	COLOR: NA		LAST REVISED BY: jbosserdet	LAST REVISED DATE: 1/29/2015	
	HEAT TREAT: NA		MATERIAL:	TITLE: LAYOUT, 32'-4" X 38'-1", AMEBA, 8' DEEP, 500 SERIES	
FINISH: NA	ANGULAR: X ± 0.5	THIRD ANGLE PROJECTION	PART NUMBER: 50956		SCALE: 1:192
TEXTURE: NA					SHEET: 1 OF 6
					SIZE: A



NOTES:

1. THESE ARE FINISHED DIMENSIONS READY FOR THE LINER.
2. DIMENSIONS ARE FROM INSIDE POOL PANELS.
3. THE IDEAL WATER LEVEL SHOULD BE TO THE MIDDLE OF THE SKIMMER OPENING(S).

EXCAVATION NOTES:

4. ROUGH EXCAVATION SHOULD BE 2" DEEPER IN EACH INSTANCE.
5. SOIL TO HAVE MINIMUM BEARING CAPACITY OF 1500 PSF.
6. LOCATE TOP OF POOL AT LEAST 6" ABOVE THE SURROUNDING LAND ELEVATION.
7. SEE "OVER DIG DETAIL" FOR EXCAVATION AROUND POOL.
8. FILL VOIDS UNDER BASE OF PANELS AND TAMP WELL.
9. BACK FILL WITH NON-EXPANSIVE MATERIAL.
10. ANSI / APSP / ICC-5 FOR RESIDENTIAL POOLS, 2003-2007 BOCA CODE SECTION 421.

IMPORTANT NOTES:

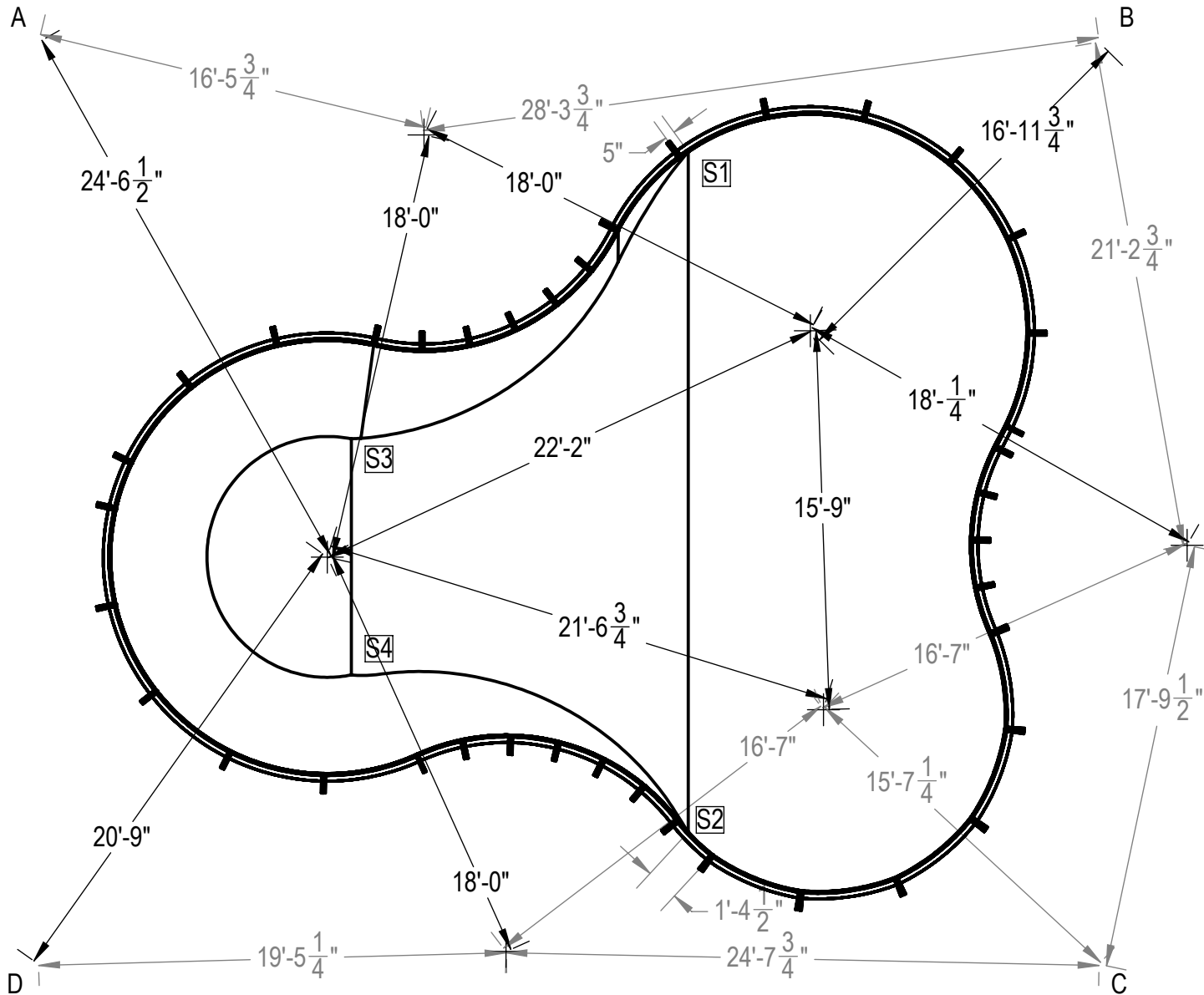
11. THIS DOCUMENT IS FOR ILLUSTRATIVE PURPOSES ONLY. THE DEALER OR CONTRACTOR WHO SELLS OR INSTALLS YOUR POOL IS AN INDEPENDENT CONTRACTOR AND IS NOT AN AGENT OF THE MANUFACTURER. THE CONSTRUCTION METHODS ILLUSTRATED HERE ARE SUGGESTIONS AND APPLY ONLY TO NORMAL GROUND CONDITIONS. THERE MAY BE ADDITIONAL PRECAUTIONS AND/OR METHODS OF CONSTRUCTION. PROPER INSTALLATION IS THE RESPONSIBILITY OF THE DEALER/BUILDER/CONTRACTOR.

ENGINEERING DRAWING NUMBER:
00005067

UNLESS OTHERWISE SPECIFIED
 DIMENSIONS ARE IN INCHES
 TOLERANCES
 DECIMALS: X ± .1
 XX ± .01
 XXX ± .001
 XXXX ± .0005
 ANGULAR: X ± 0.5
 THIRD ANGLE PROJECTION

DESIGNED BY: RCOLBOCH	CREATION DATE: 7/1/2013
DETAILED BY: JBOSSERDET	DETAILED DATE: 10/5/2012
LAST REVISED BY: jbosserdet	LAST REVISED DATE: 1/29/2015
MATERIAL:	

HYDRA POOLS	
TITLE:	LAYOUT, 32'-4" X 38'-1", AMEBA, 8' DEEP, 500 SERIES
PART NUMBER:	50956
SCALE:	1:192
SHEET:	2 OF 6
SIZE:	A



A-S1	27'-4 1/2"
B-S1	17'-8"
A-S2	42'-6"
B-S2	37'-0"
A-S3	21'-0"
B-S3	35'-2 1/4"
A-S4	29'-4"
B-S4	40'-8 1/2"

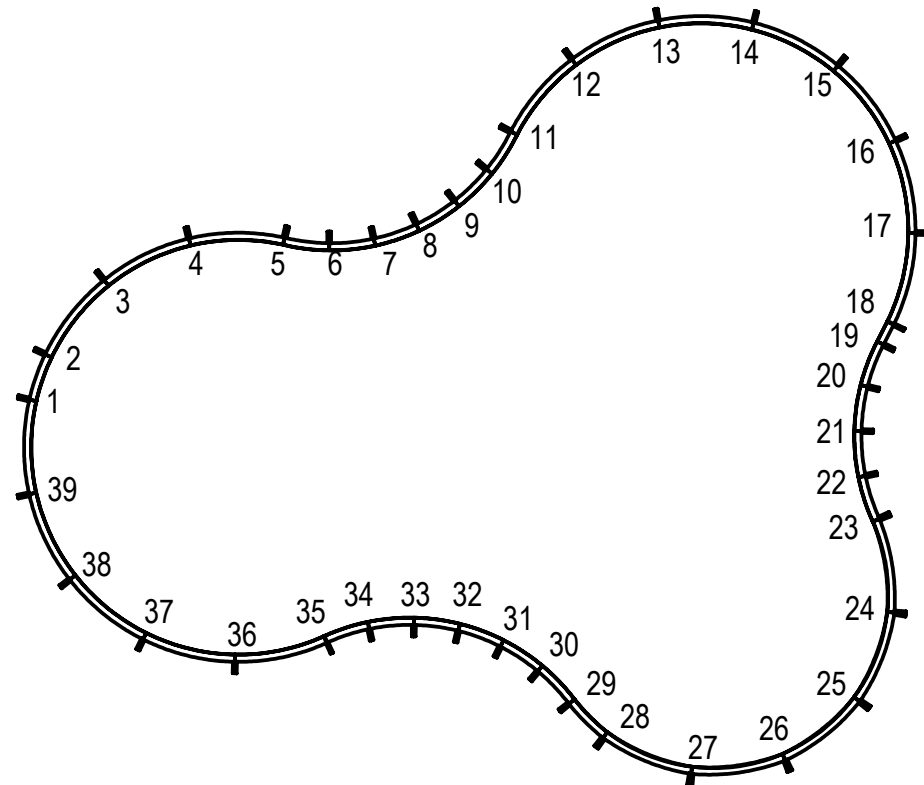
ENGINEERING DRAWING NUMBER: 00005067	WEIGHT:	UNLESS OTHERWISE SPECIFIED DIMENSIONS ARE IN INCHES TOLERANCES DECIMALS: X ± .1 XX ± .01 XXX ± .001 XXXX ± .0005 ANGULAR: X ± 0.5 THIRD ANGLE PROJECTION	DESIGNED BY:	CREATION DATE:	HYDRA POOLS TITLE: LAYOUT, 32'-4" X 38'-1", AMEBA, 8' DEEP, 500 SERIES PART NUMBER: <div style="font-size: 2em; font-weight: bold; text-align: center;">50956</div>
	lbs		RCOLBOCH	7/1/2013	
	VOLUME:		DETAILED BY:	DETAILED DATE:	
	Inch ³		JBOSSERDET	10/5/2012	
	COLOR:		LAST REVISED BY:	LAST REVISED DATE:	
NA	jbosserdet	1/29/2015	SCALE:	SIZE:	
HEAT TREAT:	MATERIAL:		1:192	1:192	
NA			3 OF 6	A	
FINISH:					
TEXTURE:					
NA					

	A	B	C	D
1	19'-8"	45'-2 1/2"	45'- 1/4"	19'-2 1/2"
2	17'-11"	43'-10"	45'-3"	21'-2 1/4"
3	15'-8 3/4"	40'-4 1/2"	44'-8"	24'-9 1/4"
4	16'- 3/4"	36'-5"	42'-8 3/4"	27'-6 1/4"
5	18'-9 1/2"	32'-8"	39'-7 1/2"	29'-3"
6	20'-5 3/4"	30'-11 1/4"	37'-11 1/2"	30'- 1/2"
7	21'-11 1/4"	29'- 1/2"	36'-7 3/4"	31'-3 3/4"
8	23'-2 1/4"	27'- 1/2"	35'-9 1/4"	32'-11 1/2"
9	24'-2 1/4"	25'- 1/4"	35'-5 1/4"	34'-10 1/4"
10	24'-10 3/4"	23'-1 1/2"	35'-8 1/4"	36'-10 1/4"
11	25'-4"	21'-5 1/2"	36'-5 1/2"	38'-10 1/4"
12	27'-1"	18'- 3/4"	37'-9 1/4"	42'-10"
13	30'-5 1/4"	14'-2"	37'-9"	49'- 1/4"
14	34'-5 1/4"	10'-4"	36'-4 3/4"	50'-4 1/4"
15	38'-1 3/4"	8'- 3/4"	33'-10"	50'-3"
16	41'- 3/4"	41'- 3/4"	30'-4 1/4"	48'-8 3/4"
17	42'-9 3/4"	42'-9 3/4"	26'-4 3/4"	45'-11 1/2"
18	43'-2 1/2"	43'-2 1/2"	22'-8 1/2"	46'-0"
19	43'-1 1/2"	43'-1 1/2"	21'-11 1/2"	43'-8"
20	43'-3"	43'-3"	20'-3 1/4"	43'-8"
21	43'-11"	43'-11"	18'-5"	42'-6 3/4"
22	45'- 1/2"	45'- 1/2"	16'-5 1/2"	41'-11"
23	46'-6 3/4"	46'-7"	14'-5 1/4"	41'-10"
24	49'-3 1/4"	49'-3 1/4"	10'-6 1/2"	41'-4"
25	50'-4 3/4"	50'-4 3/4"	8'-1 1/4"	39'-2 1/4"
26	49'-8 3/4"	49'-8 3/4"	9'-2 1/2"	35'-9 1/2"
27	47'-5"	47'-5"	12'-9"	31'-10"
28	43'-10 1/2"	43'-10 1/2"	16'-8 1/4"	28'-4 1/2"
29	41'-10 1/2"	41'-10 1/2"	18'-5 3/4"	27'-3"
30	39'-10 1/4"	39'-10 1/4"	20'-3 1/2"	26'-3 1/4"
31	37'-11 1/4"	37'-11 1/4"	22'-3 1/4"	25'- 1/4"
32	36'-2 3/4"	36'-2 3/4"	24'-3 1/2"	23'-6 1/4"
33	34'-10 1/4"	34'-10 1/4"	26'-3"	21'-9 3/4"
34	33'-11"	33'-11"	28'- 3/4"	19'-11 1/4"
35	33'-6 1/4"	33'-6 1/4"	29'-7 3/4"	17'-11 1/2"
36	32'-7 1/2"	32'-7 1/2"	33'-2 1/4"	14'-3"
37	30'-6 1/4"	30'-6 1/4"	37'-1 3/4"	11'-11 1/4"
38	27'-4 3/4"	27'-4 3/4"	40'-9 1/4"	12'-4 3/4"
39	23'-7"	23'-7"	43'-6"	15'-3 1/2"

A-B	44'- 3/4"
B-C	38'-4"
A-C	58'-4 3/4"

A

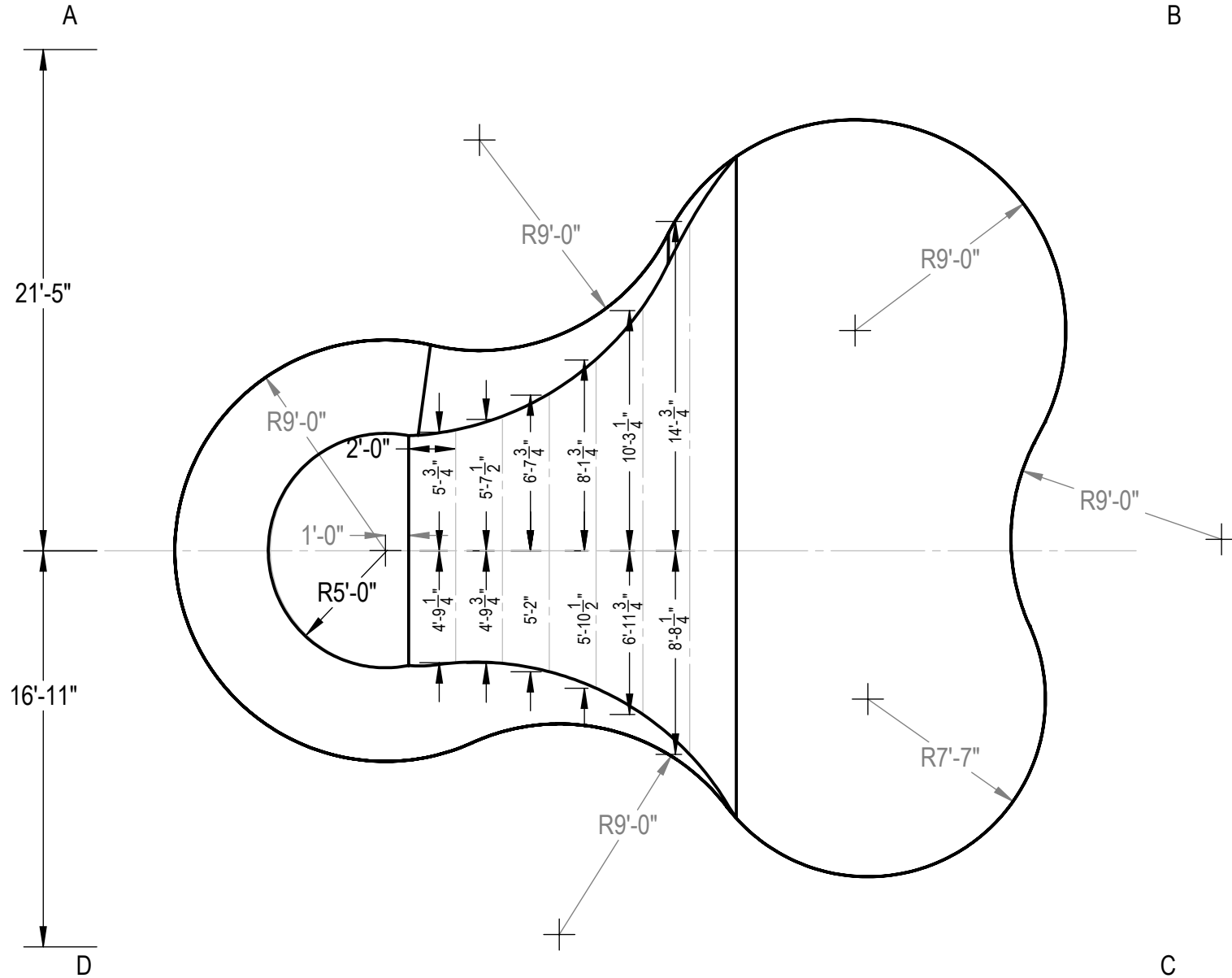
B



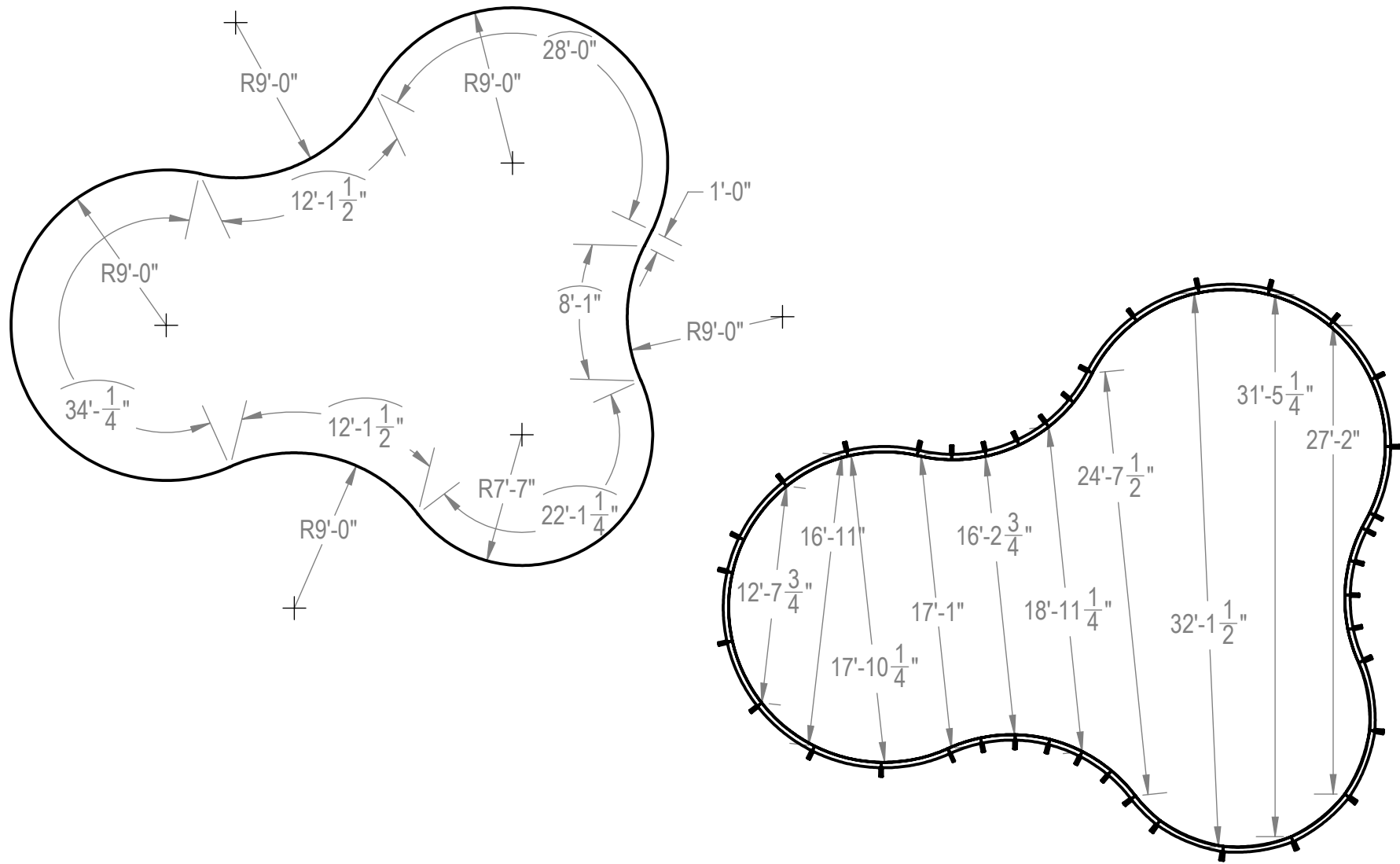
D

C

ENGINEERING DRAWING NUMBER: 00005067	WEIGHT:	UNLESS OTHERWISE SPECIFIED DIMENSIONS ARE IN INCHES TOLERANCES DECIMALS: X ± .1 XX ± .01 XXX ± .001 XXXX ± .0005 ANGULAR: X ± 0.5 THIRD ANGLE PROJECTION	DESIGNED BY:	CREATION DATE:	HYDRA POOLS TITLE: LAYOUT, 32'-4" X 38'-1", AMEBA, 8' DEEP, 500 SERIES PART NUMBER: <div style="font-size: 2em; font-weight: bold; text-align: center;">50956</div>
	lbs		RCOLBOCH	7/1/2013	
	VOLUME:		Detailed by:	10/5/2012	
	Inch ³		JBOSSERDET		
	COLOR:		LAST REVISED BY:	1/29/2015	
NA	Jbossdet				
HEAT TREAT:	MATERIAL:			SCALE:	SIZE:
NA				1:192	A
FINISH:				SHEET:	
NA				4 OF 6	
TEXTURE:					
NA					



ENGINEERING DRAWING NUMBER: 00005067	WEIGHT:	UNLESS OTHERWISE SPECIFIED DIMENSIONS ARE IN INCHES TOLERANCES DECIMALS: X ± .1 XX ± .01 XXX ± .001 XXXX ± .0005 ANGULAR: X ± 0.5 THIRD ANGLE PROJECTION	DESIGNED BY:	CREATION DATE:	HYDRA POOLS	
	lbs		RCOLBOCH	7/1/2013		
	VOLUME:		DETAILED BY:	DETAILED DATE:		
	Inch ³		JBOSSERDET	10/5/2012	TITLE:	LAYOUT, 32'-4" X 38'-1", AMEBA, 8' DEEP, 500 SERIES
	COLOR:		LAST REVISED BY:	LAST REVISED DATE:	PART NUMBER:	50956
	NA		jbossdet	1/29/2015	SCALE:	
HEAT TREAT:	MATERIAL:		SHEET:	5 OF 6		
NA			SIZE:	A		
FINISH:						
NA						
TEXTURE:						
NA						



ENGINEERING DRAWING NUMBER: 00005067	WEIGHT:	UNLESS OTHERWISE SPECIFIED DIMENSIONS ARE IN INCHES TOLERANCES DECIMALS: X ± .1 XX ± .01 XXX ± .001 XXXX ± .0005 ANGULAR: X ± 0.5 THIRD ANGLE PROJECTION	DESIGNED BY:	CREATION DATE:	HYDRA POOLS TITLE: LAYOUT, 32'-4" X 38'-1", AMEBA, 8' DEEP, 500 SERIES PART NUMBER: <div style="font-size: 2em; font-weight: bold; text-align: center;">50956</div>
	lbs		RCOLBOCH	7/1/2013	
	VOLUME:		DETAILED BY:	DETAILED DATE:	
	Inch ³		JBOSSERDET	10/5/2012	
	COLOR:		LAST REVISED BY:	LAST REVISED DATE:	
	NA		jbosserdet	1/29/2015	
HEAT TREAT:	MATERIAL:		SCALE: 1:192	SIZE: A	
NA			SHEET: 6 OF 6		
FINISH:					
TEXTURE:					
NA					