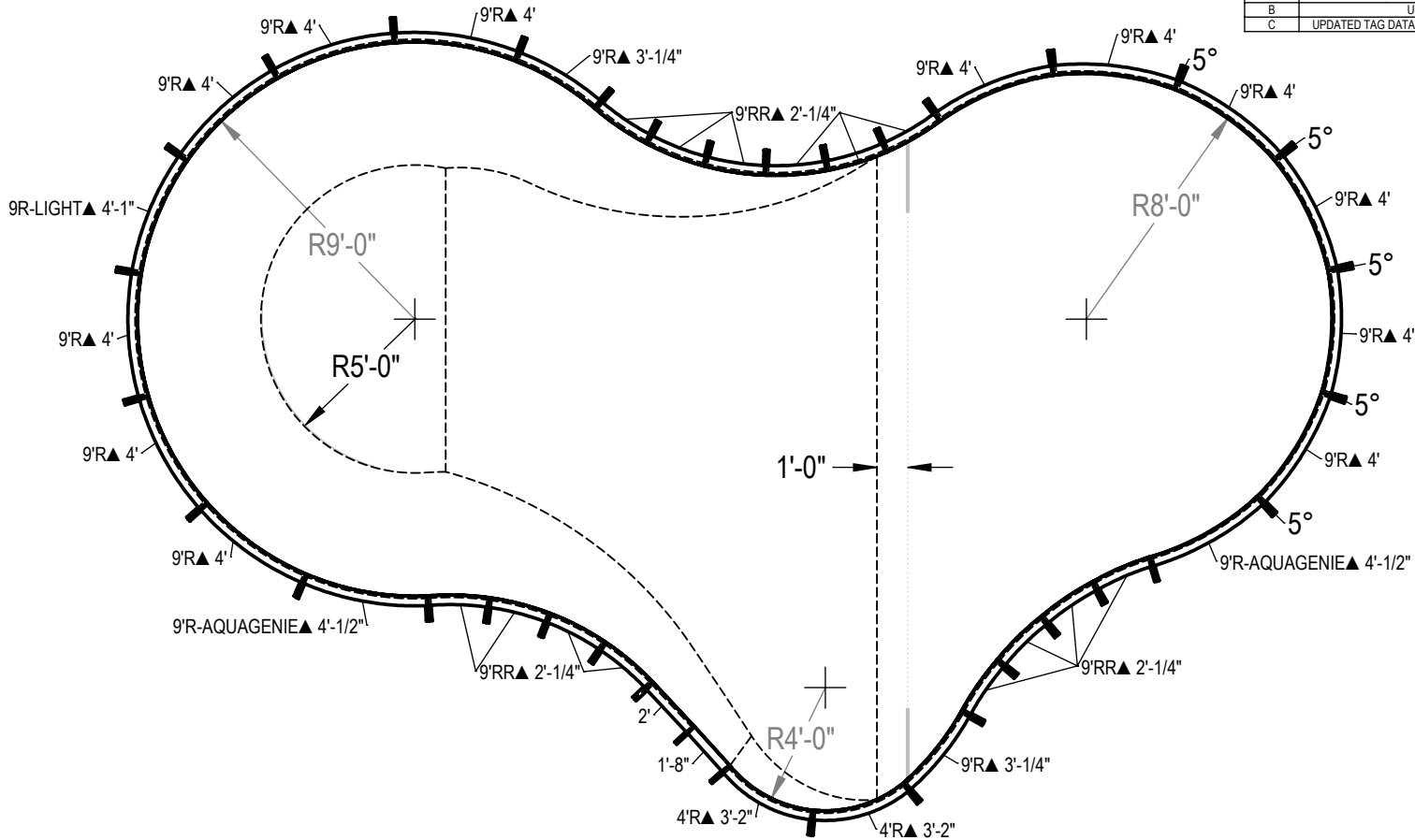


REVISION HISTORY				
REV.	DESCRIPTION	DATE	ECO	BY
A	2014 POLYMER DIG BOOK	01/09/14	NONE	THARKENRIDER
B	UPDATED BOM	3/26/2014	NONE	RCOLBOCH
C	UPDATED TAG DATA TO INCLUDE COPING LENGTHS.	1/26/2015	391702	JBOSSERDET



NOTES:

1. THESE ARE FINISHED DIMENSIONS READY FOR THE LINER.
2. DIMENSIONS ARE FROM INSIDE POOL PANELS.
3. THE IDEAL WATER LEVEL SHOULD BE TO THE MIDDLE OF THE SKIMMER OPENING(S).

EXCAVATION NOTES:

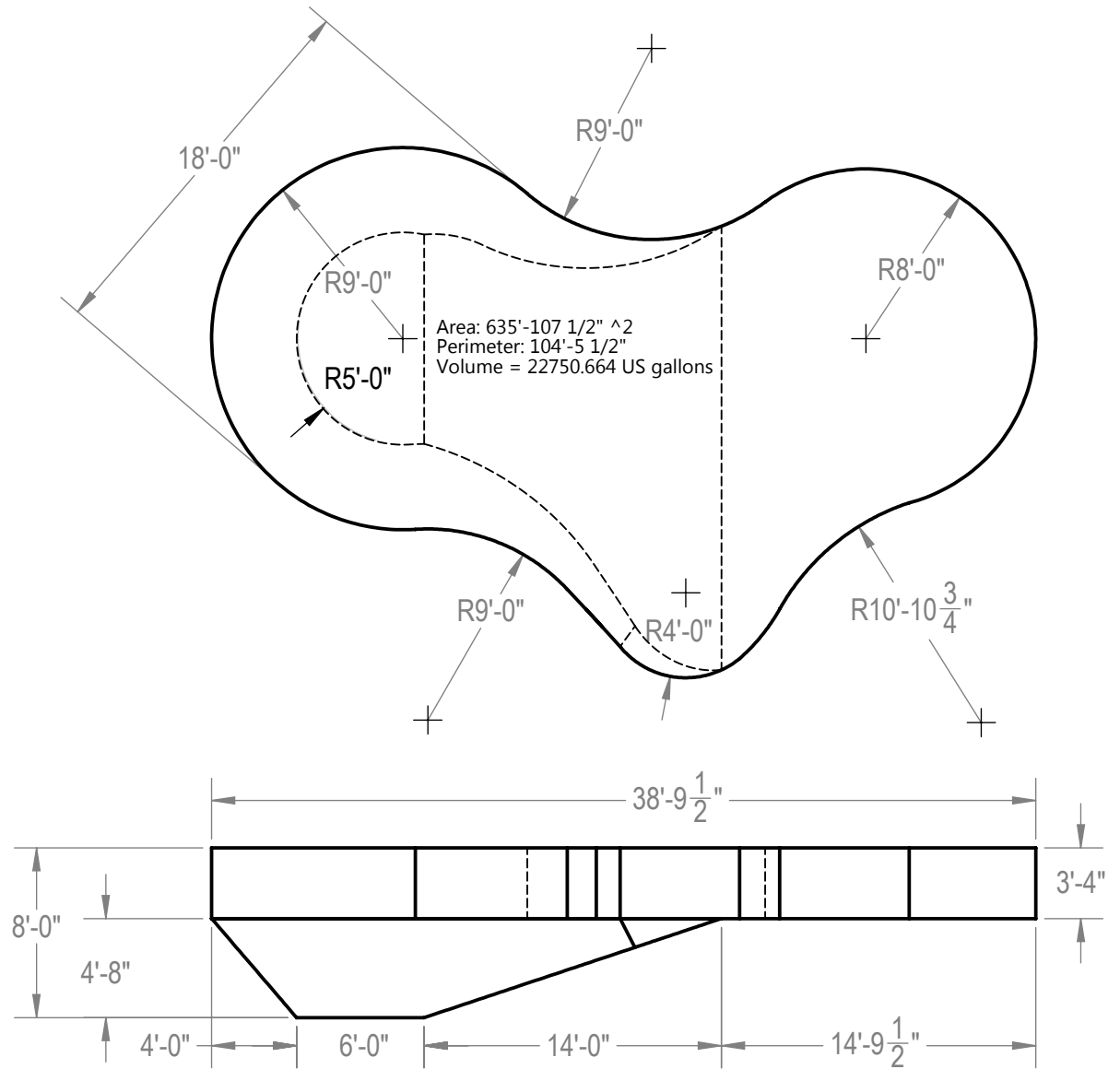
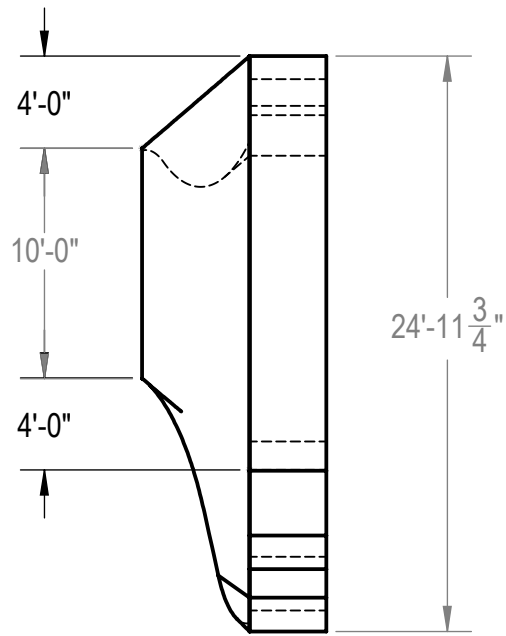
4. ROUGH EXCAVATION SHOULD BE 2" DEEPER IN EACH INSTANCE.
5. SOIL TO HAVE MINIMUM BEARING CAPACITY OF 1500 PSF.
6. LOCATE TOP OF POOL AT LEAST 6" ABOVE THE SURROUNDING LAND ELEVATION.
7. SEE "OVER DIG DETAIL" FOR EXCAVATION AROUND POOL.
8. FILL VOIDS UNDER BASE OF PANELS AND TAMP WELL.
9. BACK FILL WITH NON-EXPANSIVE MATERIAL.
10. ANSI / APSP / ICC-5 FOR RESIDENTIAL POOLS, 2003-2007 BOCA CODE SECTION 421.

IMPORTANT NOTES:

11. THIS DOCUMENT IS FOR ILLUSTRATIVE PURPOSES ONLY. THE DEALER OR CONTRACTOR WHO SELLS OR INSTALLS YOUR POOL IS AN INDEPENDENT CONTRACTOR AND IS NOT AN AGENT OF THE MANUFACTURER. THE CONSTRUCTION METHODS ILLUSTRATED HERE ARE SUGGESTIONS AND APPLY ONLY TO NORMAL GROUND CONDITIONS. THERE MAY BE ADDITIONAL PRECAUTIONS AND/OR METHODS OF CONSTRUCTION. PROPER INSTALLATION IS THE RESPONSIBILITY OF THE DEALER/BUILDER/CONTRACTOR.

ITEM	FILE NAME	DESCRIPTION	CUSTOMER DRAWING #	VENDOR PART #	QTY.	VENDOR NAME	MATERIAL
1	BRACE	BRACE, 4 TAB, HYDRA - 100 SERIES	HP199	HP199	35	HYDRA POOLS	PS
2	INSERT, 5° WEDGE	INSERT, 5° WEDGE	HP226	HP226	6	HYDRA POOLS, IA	PP Homopolymer
3	PANEL, 1'-8 IN LONG	PANEL, 1'-8" LONG - 500 SERIES	HP516	HP516	1	HYDRA POOLS	PS
4	PANEL, 2' LONG	PANEL, 2' LONG - 500 SERIES	HP502	HP502	1	HYDRA POOLS	PS
5	PANEL, 4' RADIUS	PANEL, 4' RADIUS - 500 SERIES	HP554	HP554	2	HYDRA POOLS	PS
6	PANEL, 9' RADIUS WITH AQUAGENIE	PANEL, 9' RADIUS WITH AQUAGENIE - 500 SERIES	HP559A	HP559A	2	HYDRA POOLS	PS
7	PANEL, 9' RADIUS WITH LIGHT	PANEL, 9' RADIUS WITH LIGHT - 500 SERIES	HP559LL	HP559LL	1	HYDRA POOLS	PS
8	PANEL, 9' RADIUS, 3' LONG	PANEL, 9' RADIUS, 3' LONG, ROMAN - 500 SERIES	HP525D	HP525D	2	HYDRA POOLS	PS
9	PANEL, 9' RADIUS, 4' LONG	PANEL, 9' RADIUS, 4' LONG - 500 SERIES	HP559	HP559	12	HYDRA POOLS	PS
10	PANEL, 9' REVERSE RADIUS	PANEL, 9' REVERSE RADIUS - 500 SERIES	HP519N	HP519N	14	HYDRA POOLS	PS

ENGINEERING DRAWING NUMBER: 00005058	WEIGHT: 192911.9 lbs	UNLESS OTHERWISE SPECIFIED DIMENSIONS ARE IN INCHES TOLERANCES DECIMALS: X ± .1 XX ± .01 XXX ± .001 XXXX ± .0005	DESIGNED BY: THARKENRIDER	CREATION DATE: 1/8/2014	HYDRA POOLS	
	VOLUME: Inch ³		DETAILED BY: JBOSSERDET	DETAILED DATE: 10/5/2012		
	COLOR:		LAST REVISED BY: jbosserdet	LAST REVISED DATE: 1/26/2015		
	HEAT TREAT:		MATERIAL:	TITLE: LAYOUT, 24'-11" X 39', LAGOON, RIGHT, 8' DEEP, 500 SERIES		
FINISH:	ANGULAR: X ± 0.5	THIRD ANGLE PROJECTION	PART NUMBER: 50933		SCALE: 1:192	A
TEXTURE:			SHEET: 1 OF 6			



NOTES:

1. THESE ARE FINISHED DIMENSIONS READY FOR THE LINER.
2. DIMENSIONS ARE FROM INSIDE POOL PANELS.
3. THE IDEAL WATER LEVER SHOULD BE TO THE MIDDLE OF THE SKIMMER OPENING(S).

EXCAVATION NOTES:

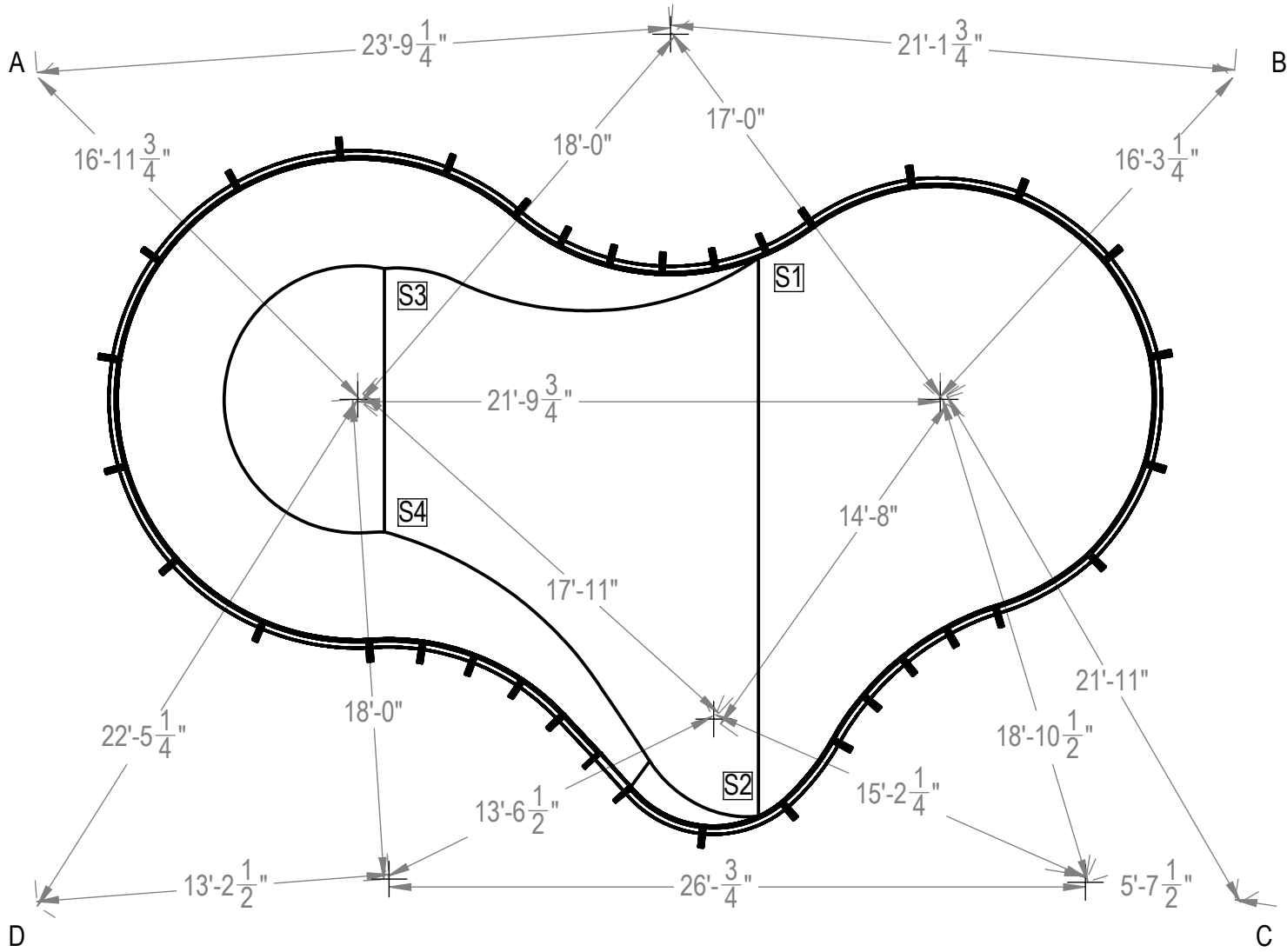
4. ROUGH EXCAVATION SHOULD BE 2" DEEPER IN EACH INSTANCE.
5. SOIL TO HAVE MINIMUM BEARING CAPACITY OF 1500 PSF.
6. LOCATE TOP OF POOL AT LEAST 6" ABOVE THE SURROUNDING LAND ELEVATION.
7. SEE "OVER DIG DETAIL" FOR EXCAVATION AROUND POOL.
8. FILL VOIDS UNDER BASE OF PANELS AND TAMP WELL.
9. BACK FILL WITH NON-EXPANSIVE MATERIAL.
10. ANSI / APSP / ICC-5 FOR RESIDENTIAL POOLS, 2003-2007 BOCA CODE SECTION 421.

IMPORTANT NOTES:

11. THIS DOCUMENT IS FOR ILLUSTRATIVE PURPOSES ONLY. THE DEALER OR CONTRACTOR WHO SELLS OR INSTALLS YOUR POOL IS AN INDEPENDENT CONTRACTOR AND IS NOT AN AGENT OF THE MANUFACTURER. THE CONSTRUCTION METHODS ILLUSTRATED HERE ARE SUGGESTIONS AND APPLY ONLY TO NORMAL GROUND CONDITIONS. THERE MAY BE ADDITIONAL PRECAUTIONS AND/OR METHODS OF CONSTRUCTION. PROPER INSTALLATION IS THE RESPONSIBILITY OF THE DEALER/BUILDER/CONTRACTOR.

ENGINEERING DRAWING NUMBER: 00005058	WEIGHT: 189863.435 lbs VOLUME: 5255403.272 Inch ³	UNLESS OTHERWISE SPECIFIED DIMENSIONS ARE IN INCHES TOLERANCES DECIMALS: X ± .1 XX ± .01 XXX ± .001 XXXX ± .0005 ANGULAR: X ± 0.5 THIRD ANGLE PROJECTION	DESIGNED BY: THARKENRIDER CREATION DATE: 1/9/2014	HYDRA POOLS				
	COLOR: NA HEAT TREAT: NA FINISH: NA TEXTURE: NA		DETAILED BY: JBOSSERDET DETAILED DATE: 10/5/2012			TITLE: LAYOUT, 24'-11" X 39', LAGOON, RIGHT, 8' DEEP, 500 SERIES		
			LAST REVISED BY: jbosserdet MATERIAL: Water	LAST REVISED DATE: 1/26/2015	PART NUMBER: <div style="font-size: 2em; font-weight: bold; text-align: center;">50933</div>	SCALE: 1:128 SHEET: 2 OF 6	SIZE: <div style="font-size: 3em; font-weight: bold; text-align: center;">A</div>	
	00005058							

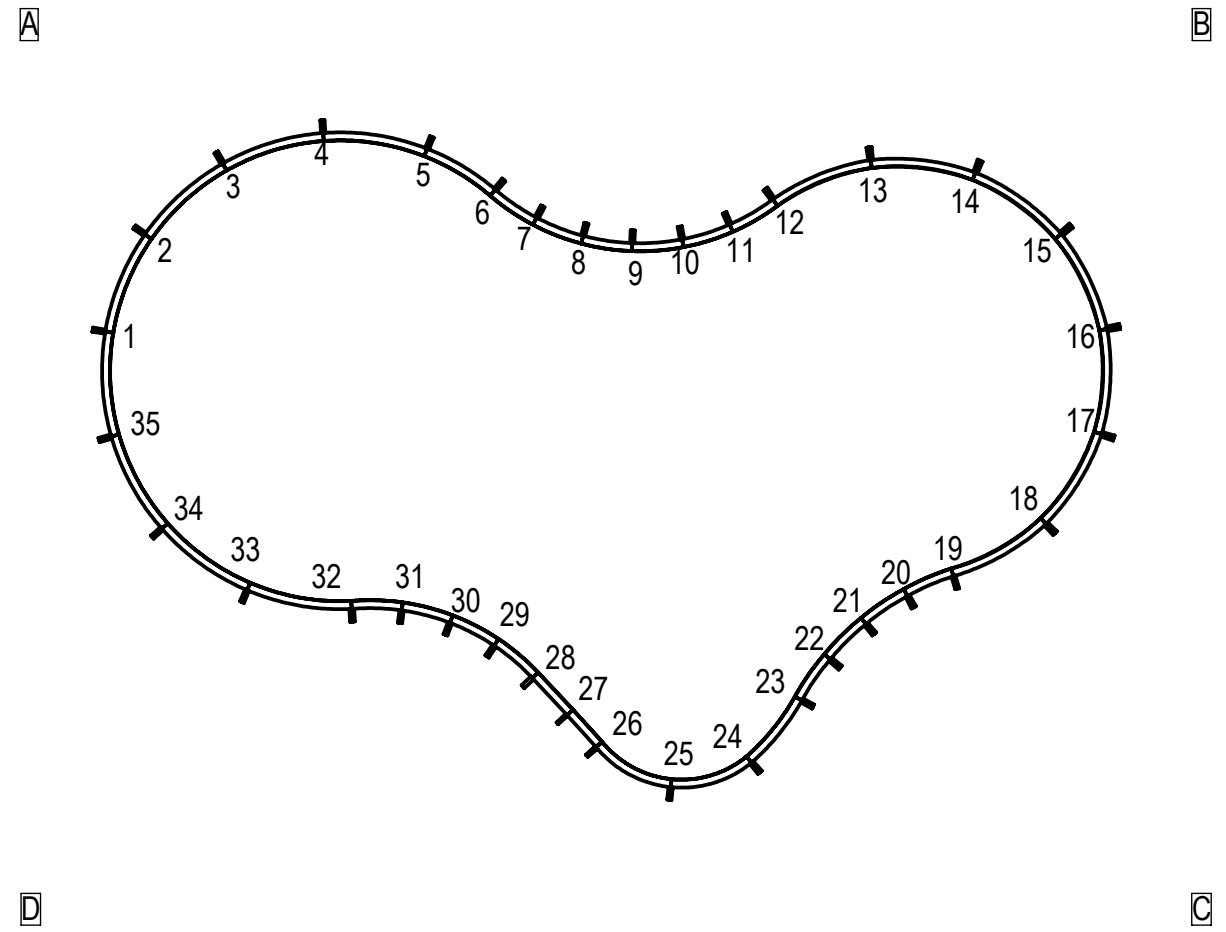
A-S1	27'-9 3/4"
B-S1	19'- 1/4"
A-S2	38'-7 1/4"
B-S2	32'-10 1/4"
A-S3	14'-9 3/4"
B-S3	32'-7"
A-S4	21'-4 1/2"
B-S4	36'- 1/2"



ENGINEERING DRAWING NUMBER: 00005058	WEIGHT: 192911.9 lbs	UNLESS OTHERWISE SPECIFIED DIMENSIONS ARE IN INCHES TOLERANCES DECIMALS: X ± .1 XX ± .01 XXX ± .001 XXXX ± .0005 ANGULAR: X ± 0.5 THIRD ANGLE PROJECTION	DESIGNED BY: THARKENRIDER	CREATION DATE: 1/8/2014	HYDRA POOLS TITLE: LAYOUT, 24'-11" X 39', LAGOON, RIGHT, 8' DEEP, 500 SERIES PART NUMBER: <div style="font-size: 2em; font-weight: bold; text-align: center;">50933</div>
	VOLUME: Inch³		DETAILED BY: JBOSSEDET	DETAILED DATE: 10/5/2012	
	COLOR:		LAST REVISED BY: jbossedet	LAST REVISED DATE: 1/26/2015	
	HEAT TREAT:		MATERIAL:		
	FINISH:				
TEXTURE:			SCALE: 1:192	SIZE: A	

	A	B	C	D
1	10'-11 3/4"	42'-11 3/4"	46'-5"	20'-8 1/4"
2	8'-3 1/4"	40'-9"	46'-10 1/4"	24'-6 3/4"
3	8'-7 1/2"	37'-5 3/4"	45'-10 1/2"	27'-10"
4	11'-9"	33'-7"	43'-7"	30'-2"
5	15'-8 1/4"	29'-9"	40'-3"	31'-4"
6	18'-7"	27'-5 1/4"	37'-3 3/4"	31'-4 1/2"
7	20'-6"	26'- 3/4"	35'-4"	31'-5 1/2"
8	22'-6 1/4"	24'-5 1/4"	33'-5 3/4"	32'-1 1/4"
9	24'-6 1/4"	22'-7 1/2"	31'-10 3/4"	33'-3 1/4"
10	26'-4 3/4"	20'-8 1/4"	30'-8 1/2"	34'-9 3/4"
11	28'-1 1/4"	18'-8"	30'- 1/4"	36'-7 3/4"
12	29'-7 1/4"	16'-8 1/2"	29'-10 3/4"	38'-7 1/4"
13	33'-0"	12'-8 1/2"	29'-5 3/4"	42'-4 1/2"
14	36'-11 3/4"	9'-3 1/2"	27'-7 3/4"	45'-2 1/2"
15	40'-6"	8'-5"	24'-7 1/4"	46'-7 3/4"
16	42'-11"	10'-10 3/4"	20'-9 1/2"	46'-5 1/4"
17	43'-10 1/4"	14'-9 1/4"	16'-11"	44'-7 1/2"
18	43'-2"	18'-7"	14'-3 1/2"	41'-6"
19	40'-11"	21'-8"	14'-4 1/2"	37'-6 3/4"
20	39'-8 3/4"	23'-2 1/4"	15'- 1/4"	35'-7"
21	38'-11"	24'-11 3/4"	15'-6 3/4"	33'-7 3/4"
22	38'-6 3/4"	26'-11 1/4"	15'-11 3/4"	31'-10 3/4"
23	38'-8 1/4"	28'-11 1/2"	16'-3 1/2"	30'-4 3/4"
24	38'-10"	31'-11 1/4"	17'-4 1/2"	28'-1 1/2"
25	37'-5 1/2"	34'-3 1/2"	20'-1 1/4"	25'-1 1/4"
26	34'-7"	34'-9 3/4"	23'- 1/2"	22'-8"
27	32'-10 3/4"	34'-6 1/4"	24'-4 1/4"	21'-10 1/2"
28	30'-11 1/4"	34'-6 3/4"	26'- 3/4"	21'-0"
29	28'-11"	34'-10"	27'-11 1/4"	20'- 3/4"
30	27'-1"	35'-8"	29'-11 1/4"	18'-10 3/4"
31	25'-6 1/4"	36'-11 1/4"	31'-11 1/4"	17'-6 1/4"
32	24'-4 3/4"	38'-7"	33'-10 1/2"	15'-11 1/4"
33	21'-11 3/4"	41'-7 1/4"	37'-10 1/4"	13'-7 3/4"
34	18'-8 1/2"	43'-5 1/4"	41'-7 1/2"	14'- 1/2"
35	14'-10 1/2"	43'-11"	44'-7 1/4"	16'-10"

A-B	44'-9 1/2"
B-C	30'-11 3/4"
A-C	54'-5 1/2"

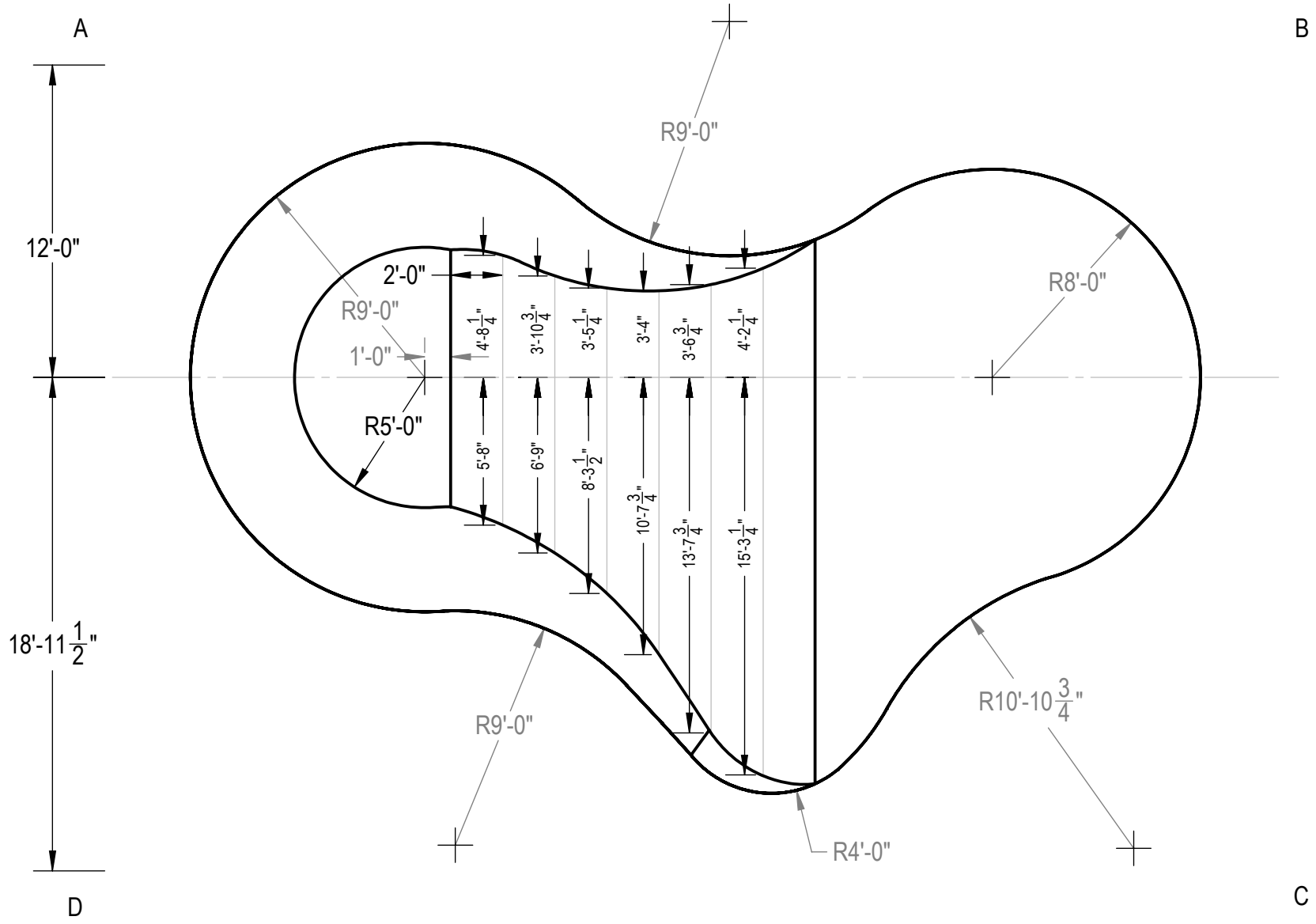


ENGINEERING DRAWING NUMBER:
00005038

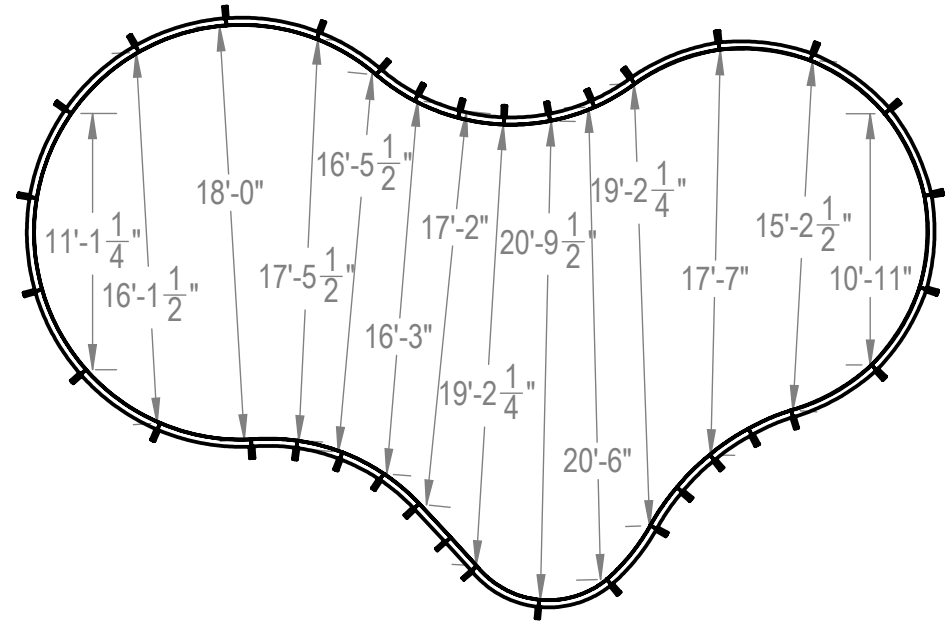
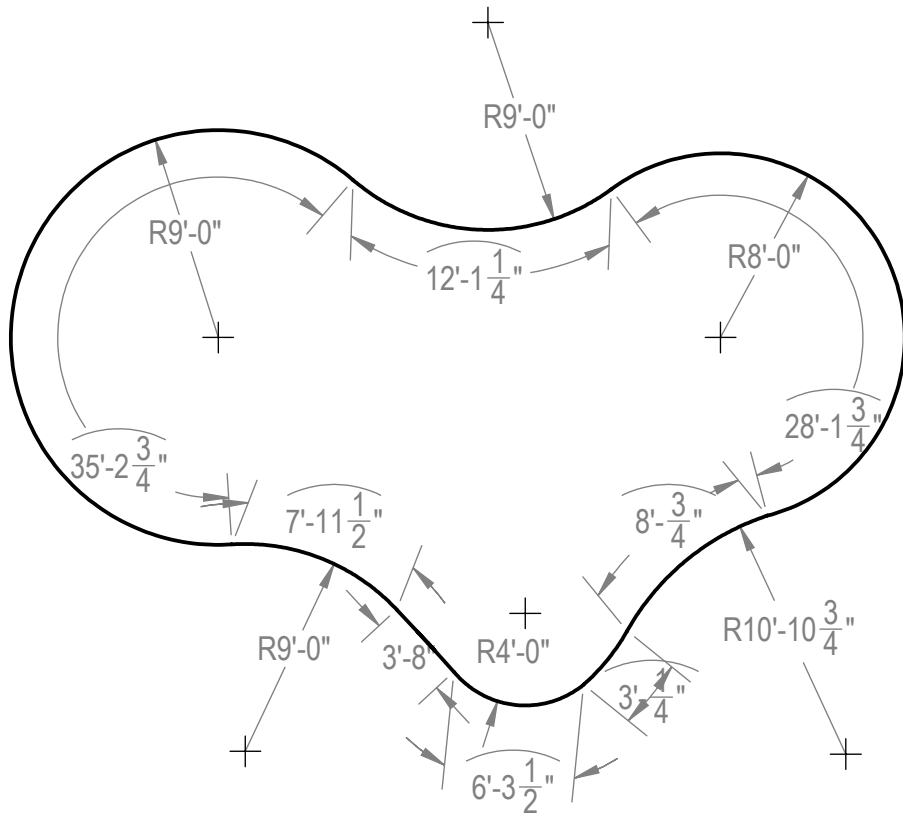
WEIGHT: 192911.9 lbs	UNLESS OTHERWISE SPECIFIED DIMENSIONS ARE IN INCHES TOLERANCES DECIMALS: X ± .1 XX ± .01 XXX ± .001 XXXX ± .0005	DESIGNED BY: THARKENRIDER	CREATION DATE: 1/8/2014
VOLUME: Inch ³		DETAILED BY: JBOSSERDET	DETAILED DATE: 10/5/2012
COLOR:	ANGULAR: X ± 0.5	LAST REVISED BY: jbosserdet	LAST REVISED DATE: 1/26/2015
HEAT TREAT:	THIRD ANGLE PROJECTION	MATERIAL:	
FINISH:			
TEXTURE:			

HYDRA POOLS	
TITLE:	LAYOUT, 24'-11" X 39', LAGOON, RIGHT, 8' DEEP, 500 SERIES
PART NUMBER:	50933

SCALE: 1:192	SIZE: A
SHEET: 4 OF 6	



ENGINEERING DRAWING NUMBER: 00005058	WEIGHT: 189863.435 lbs	UNLESS OTHERWISE SPECIFIED DIMENSIONS ARE IN INCHES TOLERANCES DECIMALS: X ± .1 XX ± .01 XXX ± .001 XXXX ± .0005 ANGULAR: X ± 0.5 THIRD ANGLE PROJECTION 	DESIGNED BY: THARKENRIDER	CREATION DATE: 1/9/2014	HYDRA POOLS TITLE: LAYOUT, 24'-11" X 39', LAGOON, RIGHT, 8' DEEP, 500 SERIES PART NUMBER: 50933	
	VOLUME: 5255403.272 Inch ³		DETAILED BY: JBOSSEDET	DETAILED DATE: 10/5/2012		
	COLOR: NA		LAST REVISED BY: jbossedet	LAST REVISED DATE: 1/26/2015		
	HEAT TREAT: NA		MATERIAL: Water			
	FINISH: NA					
TEXTURE: NA					SCALE: 1:128	SIZE: A
					SHEET: 5 OF 6	



ENGINEERING DRAWING NUMBER: 00005058	WEIGHT: 192911.9 lbs	UNLESS OTHERWISE SPECIFIED DIMENSIONS ARE IN INCHES TOLERANCES DECIMALS: X ± .1 XX ± .01 XXX ± .001 XXXX ± .0005 ANGULAR: X ± 0.5 THIRD ANGLE PROJECTION 	DESIGNED BY: THARKENRIDER	CREATION DATE: 1/8/2014	HYDRA POOLS TITLE: LAYOUT, 24'-11" X 39', LAGOON, RIGHT, 8' DEEP, 500 SERIES PART NUMBER: <div style="font-size: 2em; font-weight: bold; text-align: center;">50933</div>
	VOLUME: Inch ³		DETAILED BY: JBOSSEDET	DETAILED DATE: 10/5/2012	
	COLOR:		LAST REVISED BY: jbossedet	LAST REVISED DATE: 1/26/2015	
	HEAT TREAT:		MATERIAL:		
	FINISH:				
	TEXTURE:				
			SCALE: 1:192	SIZE: A	
			SHEET: 6 OF 6		