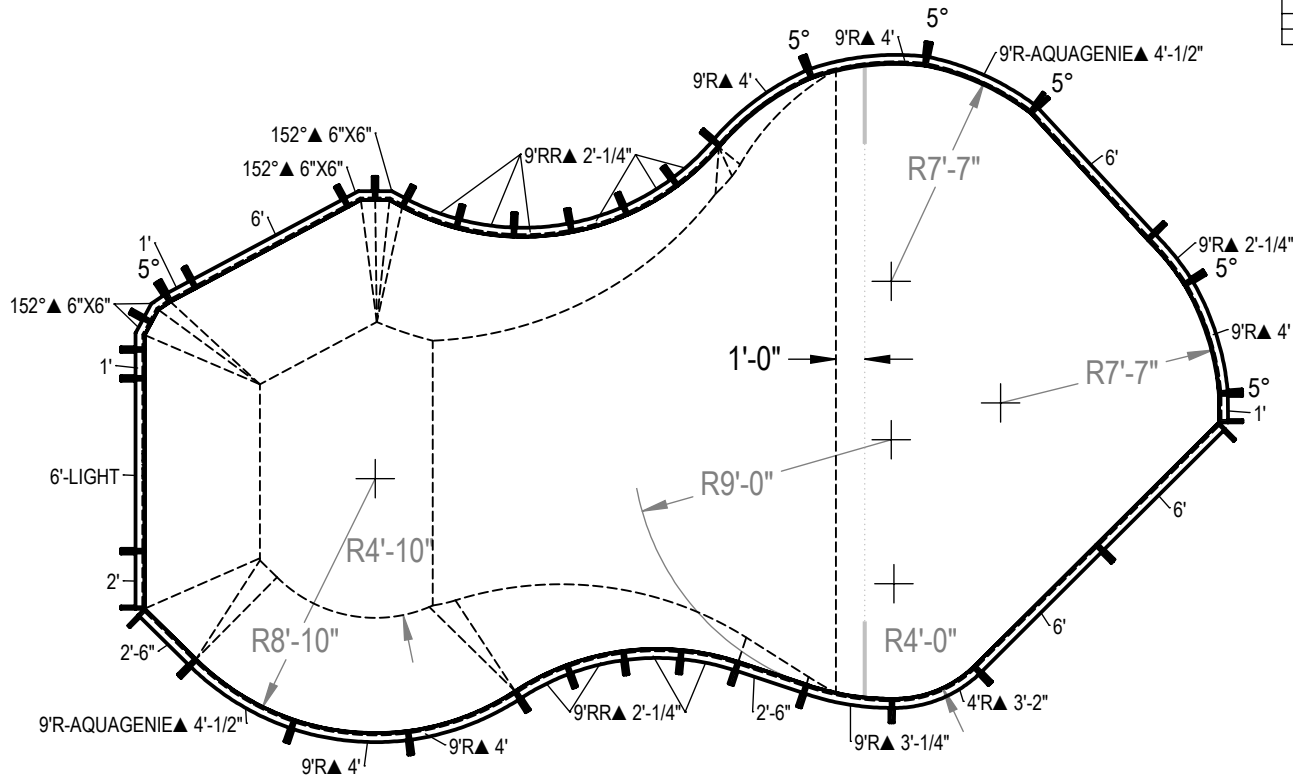


REVISION HISTORY				
REV.	DESCRIPTION	DATE	ECO	BY
A	2014 POLYMER DIG BOOK	01/07/14	NONE	THARKENRIDER
B	UPDATED TAG DATA TO INCLUDE COPING LENGTHS.	1/26/2015	391702	JBOSSERDET



ITEM	FILE NAME	DESCRIPTION	CUSTOMER DRAWING #	VENDOR PART #	QTY.	VENDOR NAME	MATERIAL
1	BRACE	BRACE, 5 TAB, TRANQUILITY - 500 SERIES	HP599	HP599	37	HYDRA POOLS	PS
2	INSERT, 5° WEDGE	INSERT, 5° WEDGE	HP226	HP226	6	HYDRA POOLS, IA	PP Homopolymer
3	PANEL, 1' LONG	PANEL, 1' LONG - 500 SERIES	HP501	HP501	3	HYDRA POOLS	PS
4	PANEL, 2'-6 IN LONG	PANEL, 2'-6" LONG - 500 SERIES	HP583S	HP583S	2	HYDRA POOLS	PS
5	PANEL, 2' LONG	PANEL, 2' LONG - 500 SERIES	HP502	HP502	1	HYDRA POOLS	PS
6	PANEL, 4' RADIUS	PANEL, 4' RADIUS - 500 SERIES	HP554	HP554	1	HYDRA POOLS	PS
7	PANEL, 6' LONG	PANEL, 6' LONG - 500 SERIES	HP506	HP506	4	HYDRA POOLS	PS
8	PANEL, 6' LONG WITH LIGHT	PANEL, 6' LONG WITH LIGHT - 500 SERIES	HP506L	HP506L	1	HYDRA POOLS	PS
9	PANEL, 9' RADIUS WITH AQUA GENIE	PANEL, 9' RADIUS WITH AQUAGENIE - 500 SERIES	HP559A	HP559A	2	HYDRA POOLS	PS
10	PANEL, 9' RADIUS, 2' LONG	PANEL, 9' RADIUS, 2' LONG, INSERT OVAL - 500 SERIES	HP510	HP510	1	HYDRA POOLS	PS
11	PANEL, 9' RADIUS, 3' LONG	PANEL, 9' RADIUS, 3' LONG, ROMAN - 500 SERIES	HP525D	HP525D	1	HYDRA POOLS	PS
12	PANEL, 9' RADIUS, 4' LONG	PANEL, 9' RADIUS, 4' LONG - 500 SERIES	HP559	HP559	5	HYDRA POOLS	PS
13	PANEL, 9' REVERSE RADIUS	PANEL, 9' REVERSE RADIUS - 500 SERIES	HP519N	HP519N	10	HYDRA POOLS	PS
14	PANEL, L, 152° X 6" X 6" X 6" IN	PANEL, L, 152° X 6" X 6" - 500 SERIES	HP521	HP521	4	HYDRA POOLS	PS
15	BRACE, STEEL CORNER 45° PINNACLE	WEDGE, STEEL CORNER, 45° PINNACLE	H01576	H01576	2	HYDRA POOLS, IA	G-235, 14 GA, CS-B

NOTES:

1. THESE ARE FINISHED DIMENSIONS READY FOR THE LINER.
2. DIMENSIONS ARE FROM INSIDE POOL PANELS.
3. THE IDEAL WATER LEVEL SHOULD BE TO THE MIDDLE OF THE SKIMMER OPENING(S).

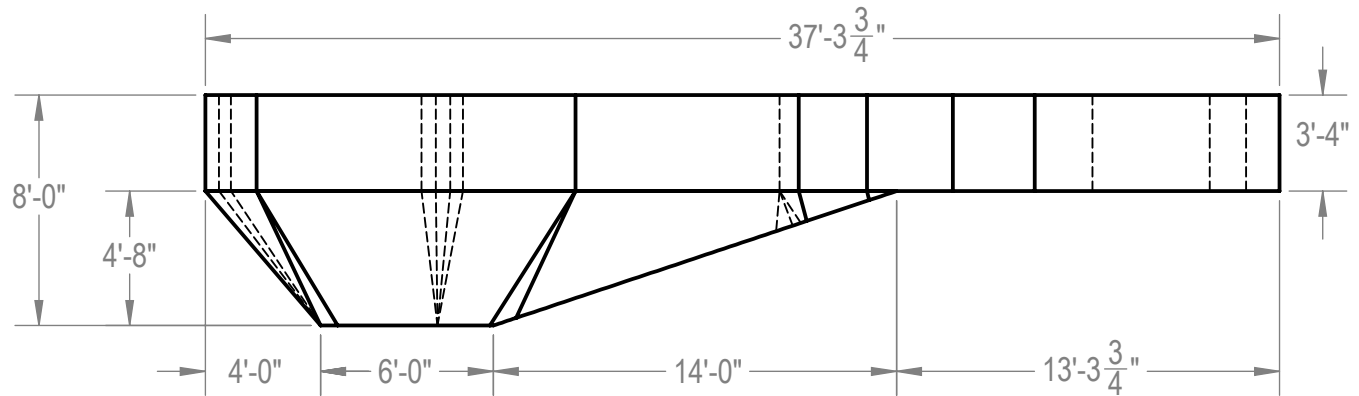
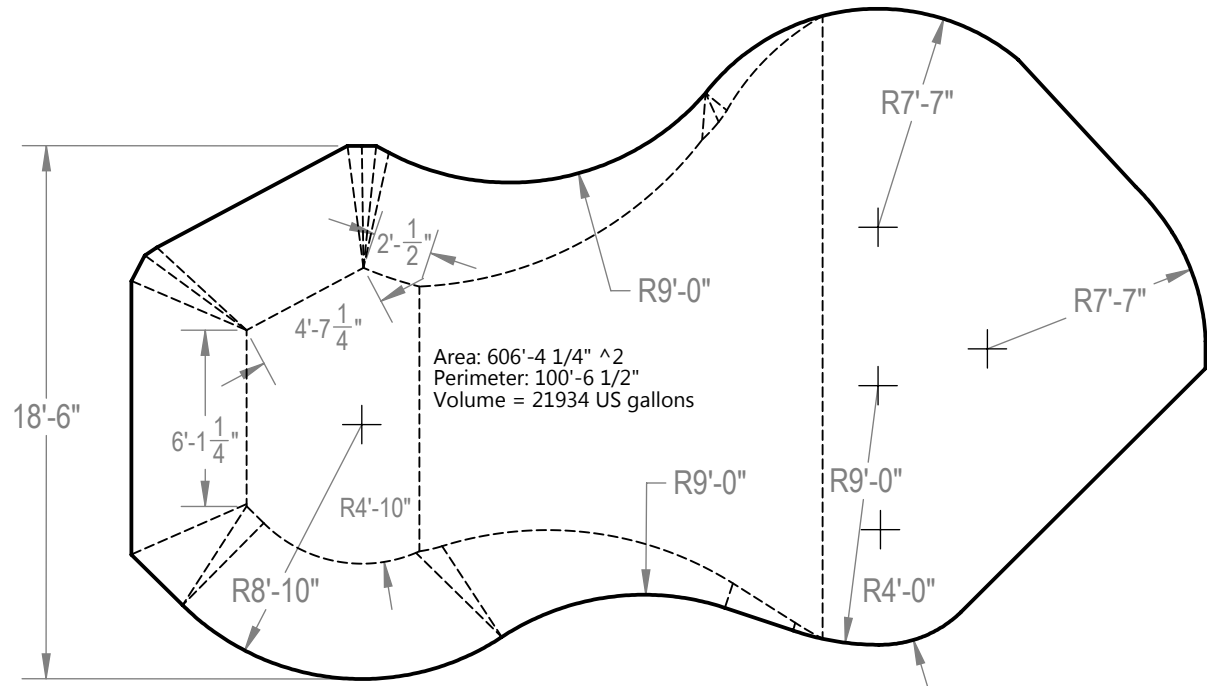
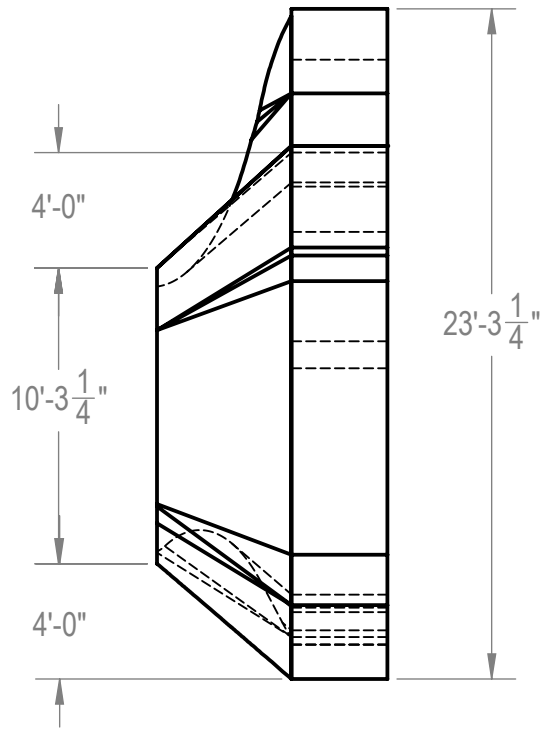
EXCAVATION NOTES:

4. ROUGH EXCAVATION SHOULD BE 2" DEEPER IN EACH INSTANCE.
5. SOIL TO HAVE MINIMUM BEARING CAPACITY OF 1500 PSF.
6. LOCATE TOP OF POOL AT LEAST 6" ABOVE THE SURROUNDING LAND ELEVATION.
7. SEE "OVER DIG DETAIL" FOR EXCAVATION AROUND POOL.
8. FILL VOIDS UNDER BASE OF PANELS AND TAMP WELL.
9. BACK FILL WITH NON-EXPANSIVE MATERIAL.
10. ANSI / APSP / ICC-5 FOR RESIDENTIAL POOLS, 2003-2007 BOCA CODE SECTION 421.

IMPORTANT NOTES:

11. THIS DOCUMENT IS FOR ILLUSTRATIVE PURPOSES ONLY. THE DEALER OR CONTRACTOR WHO SELLS OR INSTALLS YOUR POOL IS AN INDEPENDENT CONTRACTOR AND IS NOT AN AGENT OF THE MANUFACTURER. THE CONSTRUCTION METHODS ILLUSTRATED HERE ARE SUGGESTIONS AND APPLY ONLY TO NORMAL GROUND CONDITIONS. THERE MAY BE ADDITIONAL PRECAUTIONS AND/OR METHODS OF CONSTRUCTION. PROPER INSTALLATION IS THE RESPONSIBILITY OF THE DEALER/BUILDER/CONTRACTOR.

ENGINEERING DRAWING NUMBER: 00005023	UNLESS OTHERWISE SPECIFIED DIMENSIONS ARE IN INCHES TOLERANCES DECIMALS: X ± .1 XX ± .01 XXX ± .001 XXXX ± .0005	DESIGNED BY: RCOLBOCH DETAILED BY: JBOSSERDET LAST REVISED BY: jbosserdet MATERIAL:	CREATION DATE: 9/11/2013 DETAILED DATE: 10/5/2012 LAST REVISED DATE: 1/26/2015	HYDRA POOLS TITLE: LAYOUT, 23'-3" X 37'-4", OASIS, 8' DEEP, 500 SERIES PART NUMBER: <div style="font-size: 2em; font-weight: bold; margin-top: 10px;">50911</div>	
	WEIGHT: lbs VOLUME: Inch ³ COLOR: NA HEAT TREAT: NA FINISH: NA TEXTURE: NA	ANGULAR: X ± 0.5 THIRD ANGLE PROJECTION	SCALE: 1:192 SHEET: 1 OF 6		SIZE: <div style="font-size: 3em; font-weight: bold; margin-top: 10px;">A</div>
	C:\PDM\working\00005023				



NOTES:

1. THESE ARE FINISHED DIMENSIONS READY FOR THE LINER.
 2. DIMENSIONS ARE FROM INSIDE POOL PANELS.
 3. THE IDEAL WATER LEVEL SHOULD BE TO THE MIDDLE OF THE SKIMMER OPENING(S).
- EXCAVATION NOTES:**
4. ROUGH EXCAVATION SHOULD BE 2" DEEPER IN EACH INSTANCE.
 5. SOIL TO HAVE MINIMUM BEARING CAPACITY OF 1500 PSF.
 6. LOCATE TOP OF POOL AT LEAST 6" ABOVE THE SURROUNDING LAND ELEVATION.
 7. SEE "OVER DIG DETAIL" FOR EXCAVATION AROUND POOL.
 8. FILL VOIDS UNDER BASE OF PANELS AND TAMP WELL.
 9. BACK FILL WITH NON-EXPANSIVE MATERIAL.
 10. ANSI / APSP / ICC-5 FOR RESIDENTIAL POOLS, 2003-2007 BOCA CODE SECTION 421.
- IMPORTANT NOTES:**

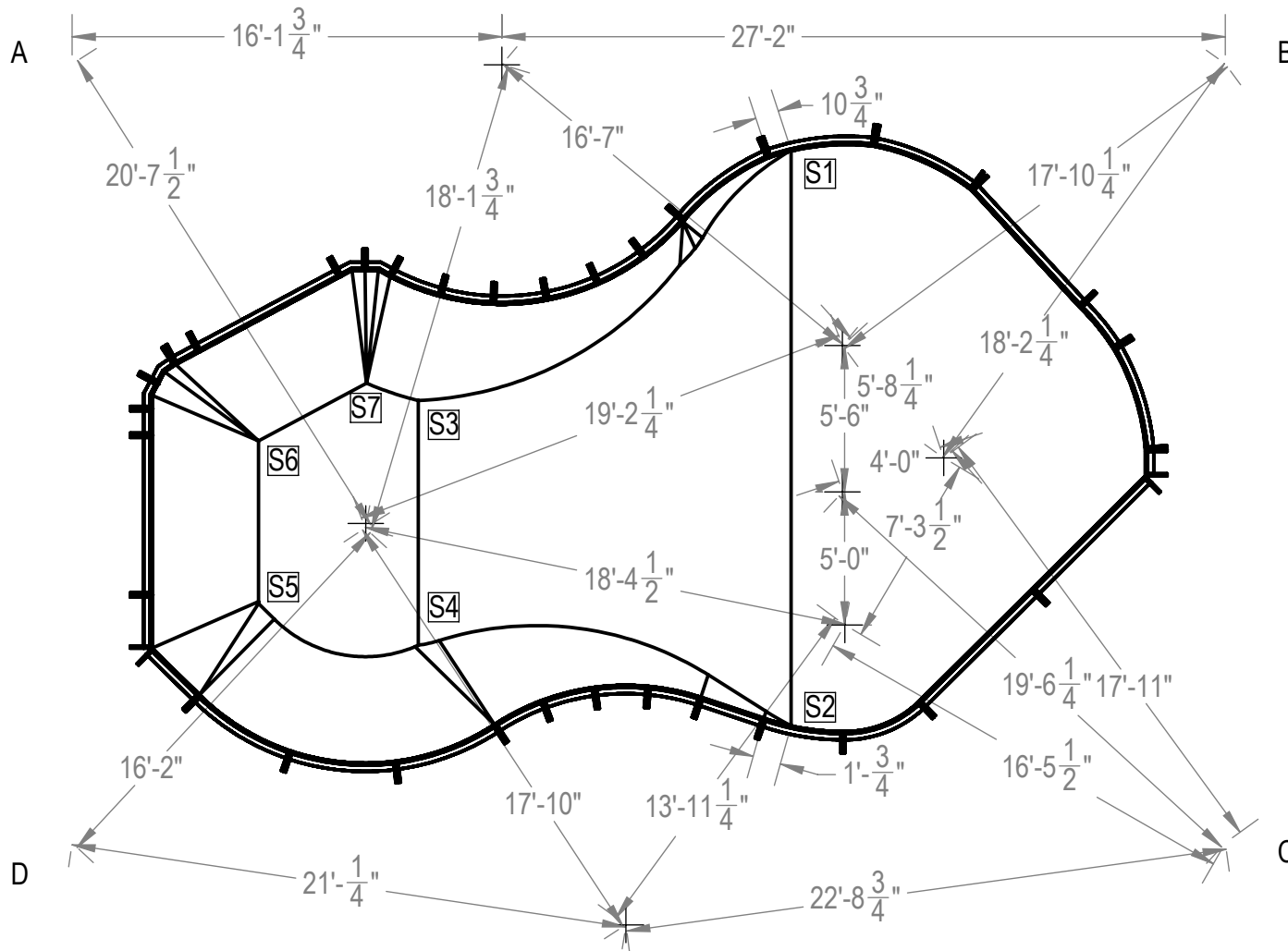
11. THIS DOCUMENT IS FOR ILLUSTRATIVE PURPOSES ONLY. THE DEALER OR CONTRACTOR WHO SELLS OR INSTALLS YOUR POOL IS AN INDEPENDENT CONTRACTOR AND IS NOT AN AGENT OF THE MANUFACTURER. THE CONSTRUCTION METHODS ILLUSTRATED HERE ARE SUGGESTIONS AND APPLY ONLY TO NORMAL GROUND CONDITIONS. THERE MAY BE ADDITIONAL PRECAUTIONS AND/OR METHODS OF CONSTRUCTION. PROPER INSTALLATION IS THE RESPONSIBILITY OF THE DEALER/BUILDER/CONTRACTOR.

ENGINEERING DRAWING NUMBER:
00005023

WEIGHT:	UNLESS OTHERWISE SPECIFIED
lbs	DIMENSIONS ARE IN INCHES
VOLUME:	TOLERANCES
Inch ³	DECIMALS: X ± .1
	XX ± .01
COLOR:	XXX ± .001
NA	XXXX ± .0005
HEAT TREAT:	
NA	
FINISH:	ANGULAR: X ± 0.5
NA	THIRD ANGLE PROJECTION
TEXTURE:	
NA	

DESIGNED BY:	RCOLBOCH
CREATION DATE:	9/11/2013
DETAILED BY:	JBOSSERDET
DETAILED DATE:	10/5/2012
LAST REVISED BY:	jbosserdet
LAST REVISED DATE:	1/26/2015
MATERIAL:	

HYDRA POOLS	
TITLE:	LAYOUT, 23'-3" X 37'-4", OASIS, 8' DEEP, 500 SERIES
PART NUMBER:	50911
SCALE:	1:192
SHEET:	2 OF 6
SIZE:	A



A-S1	27'-2 1/4"
B-S1	16'-7 1/2"
A-S2	36'-8 1/2"
B-S2	29'-9"
A-S3	18'-1 3/4"
B-S3	32'-10"
A-S4	25'-5"
B-S4	37'-5 3/4"
A-S5	21'-4 1/2"
B-S5	41'-6 1/2"
A-S6	15'-9 1/2"
B-S6	38'-11 3/4"
A-S7	16'-3 3/4"
B-S7	34'-5"

ENGINEERING DRAWING NUMBER: 00005023	WEIGHT:	UNLESS OTHERWISE SPECIFIED DIMENSIONS ARE IN INCHES TOLERANCES DECIMALS: X ± 0.1 XX ± 0.01 XXX ± 0.005 XXXX ± 0.0005 ANGULAR: X ± 0.5 THIRD ANGLE PROJECTION	DESIGNED BY:	CREATION DATE:
	lbs		RCOLBOCH	9/11/2013
	VOLUME:		Detailed by:	Detailed Date:
	Inch ³		JBOSSERDET	10/5/2012
	COLOR:		Last Revised By:	Last Revised Date:
	NA		jbossedet	1/26/2015
	HEAT TREAT:		MATERIAL:	
NA				

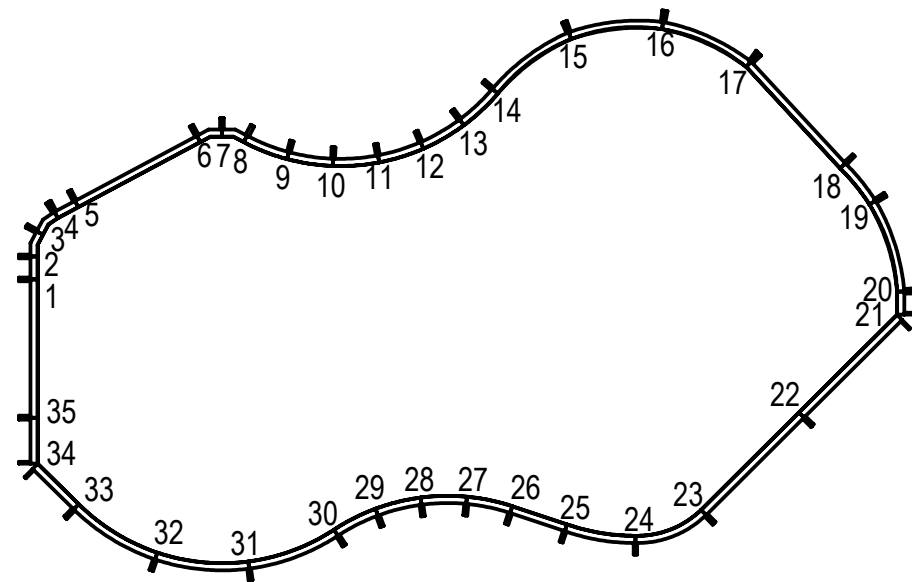
HYDRA POOLS	
TITLE: LAYOUT, 23'-3" X 37'-4", OASIS, 8' DEEP, 500 SERIES	
PART NUMBER:	50911
SCALE:	SIZE:
1:192	A
SHEET:	
3 OF 6	

	A	B	C	D
1	14'-3 1/4"	42'-7 3/4"	43'-1 1/2"	15'-7 1/4"
2	13'-3 1/2"	42'-4"	43'-5 3/4"	16'-7"
3	12'-5 1/4"	41'-10"	43'-7 1/2"	17'-6 3/4"
4	11'-11 1/4"	41'-0"	43'-4"	18'-4 3/4"
5	11'-10"	40'- 1/4"	42'-8 3/4"	19'- 3/4"
6	12'-10 1/4"	34'-2 1/4"	39'-5 1/2"	23'-6 1/2"
7	13'-5 1/2"	33'-2 3/4"	38'-9 3/4"	24'-2"
8	14'-4 1/2"	32'-4 1/4"	37'-10 3/4"	24'-4 3/4"
9	16'-4 1/4"	30'-9"	35'-11 1/4"	24'-9"
10	18'-2 1/2"	28'-11 1/4"	34'-1 3/4"	25'-8 1/4"
11	19'-11"	26'-11 3/4"	32'-7 3/4"	27'-1"
12	21'-5"	24'-11 1/2"	31'-6 1/2"	28'-10"
13	22'-8 1/4"	22'-11 3/4"	30'-11 3/4"	30'-9 1/4"
14	23'-8 1/4"	21'-2 1/2"	30'-11 3/4"	32'-8 3/4"
15	26'-4 3/4"	17'-6"	30'-11 1/4"	36'-8 1/2"
16	30'-3"	13'-6 3/4"	29'-4"	39'-10 3/4"
17	34'-1 3/4"	10'-7 1/2"	26'-3 1/4"	41'-9"
18	38'-11 3/4"	10'-8"	20'-9 3/4"	42'-10 1/2"
19	40'-7"	11'-6"	18'-11 3/4"	43'-3 1/2"
20	42'-10"	14'-9 1/2"	15'-1"	42'-11 1/4"
21	43'-2"	15'-9 1/4"	14'-1 1/4"	42'-7 1/4"
22	41'-1"	21'- 1/4"	12'-0"	37'-3 1/2"
23	39'-9 3/4"	26'-7"	12'-8"	32'-3"
24	38'-3 3/4"	28'-10 3/4"	14'-11 1/2"	29'-3"
25	35'-9 1/4"	30'-1"	17'-11 1/4"	26'-4 3/4"
26	33'-6 1/4"	30'-10 3/4"	20'-5 1/4"	24'-2 3/4"
27	31'-10 1/4"	31'-10 1/2"	22'-5 1/2"	22'-5"
28	30'-6 3/4"	33'-3 3/4"	24'-4 3/4"	20'-5 3/4"
29	29'-8 3/4"	35'- 3/4"	26'-2 1/4"	18'-5 1/2"
30	29'-5 1/2"	37'-0"	27'-9 3/4"	16'-5 3/4"
31	28'-10 1/2"	40'-8 1/2"	31'-3 3/4"	12'-6 1/4"
32	27'-1"	43'-7"	35'-3 1/4"	8'-10 3/4"
33	24'-2 1/4"	45'-2 3/4"	38'-11"	7'-4"
34	22'-2"	45'-10 3/4"	40'-11 1/2"	7'-11"
35	20'-2 1/4"	44'-11 3/4"	41'-4 1/2"	9'-9 1/2"

A-B	43'-3 3/4"
B-C	29'-3 1/4"
A-C	52'-3 1/4"

A

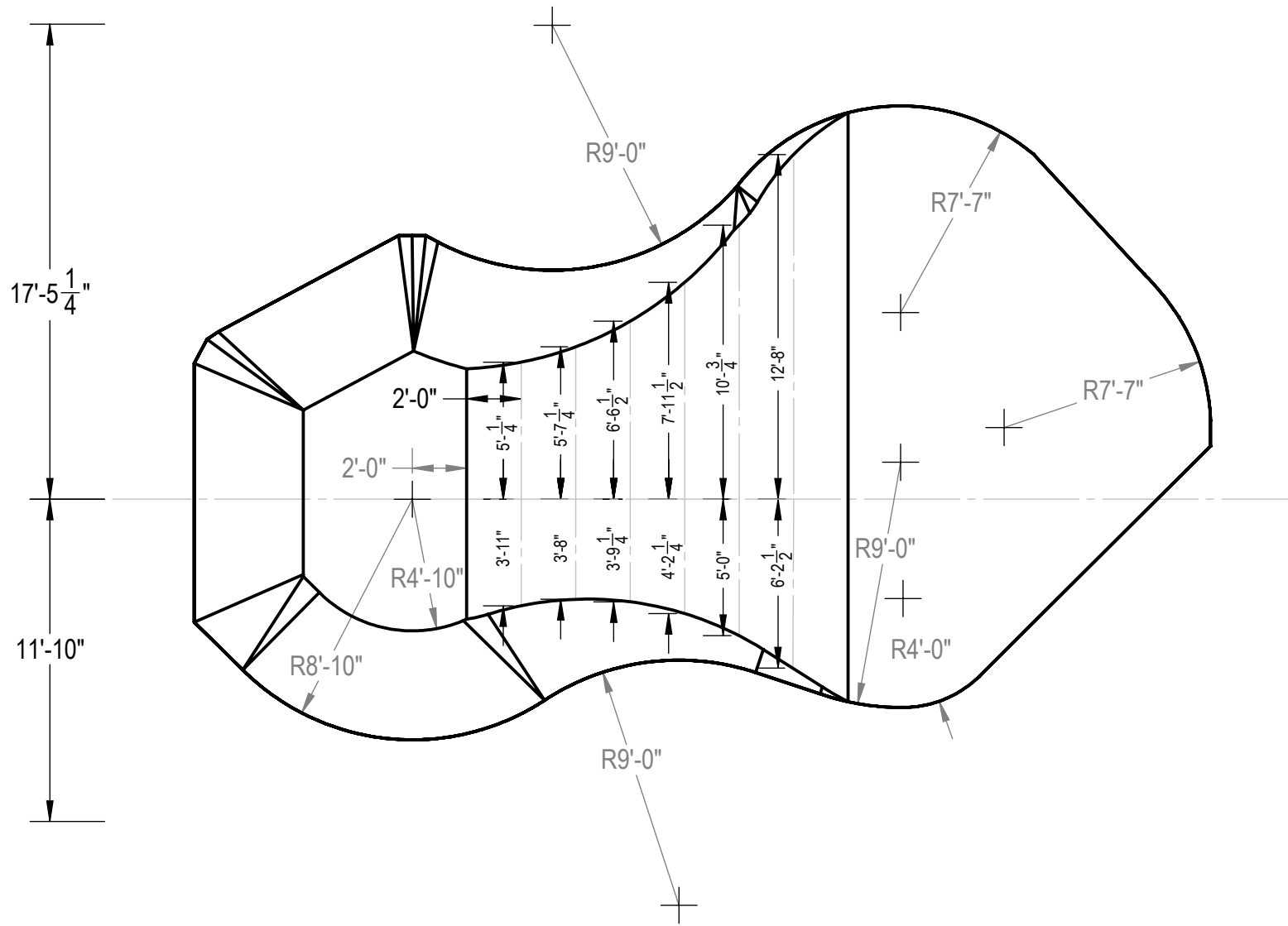
B



D

C

ENGINEERING DRAWING NUMBER: 00005023	WEIGHT:	UNLESS OTHERWISE SPECIFIED DIMENSIONS ARE IN INCHES TOLERANCES DECIMALS: X ± 0.1 XX ± 0.01 XXX ± 0.005 XXXX ± 0.0005 ANGULAR: X ± 0.5 THIRD ANGLE PROJECTION	DESIGNED BY:	CREATION DATE:	HYDRA POOLS LAYOUT, 23'-3" X 37'-4", OASIS, 8' DEEP, 500 SERIES
	lbs		RCOLBOCH	9/11/2013	
	VOLUME:		DETAILED BY:	DETAILED DATE:	
	Inch ³		JBOSSERDET	10/5/2012	
	COLOR:		LAST REVISED BY:	LAST REVISED DATE:	
NA	jbosserdet	1/26/2015	TITLE:		
HEAT TREAT:	MATERIAL:		PART NUMBER:	SCALE:	SIZE:
NA			50911	1:192	A
FINISH:				SHEET:	
NA				4 OF 6	
TEXTURE:					
NA					

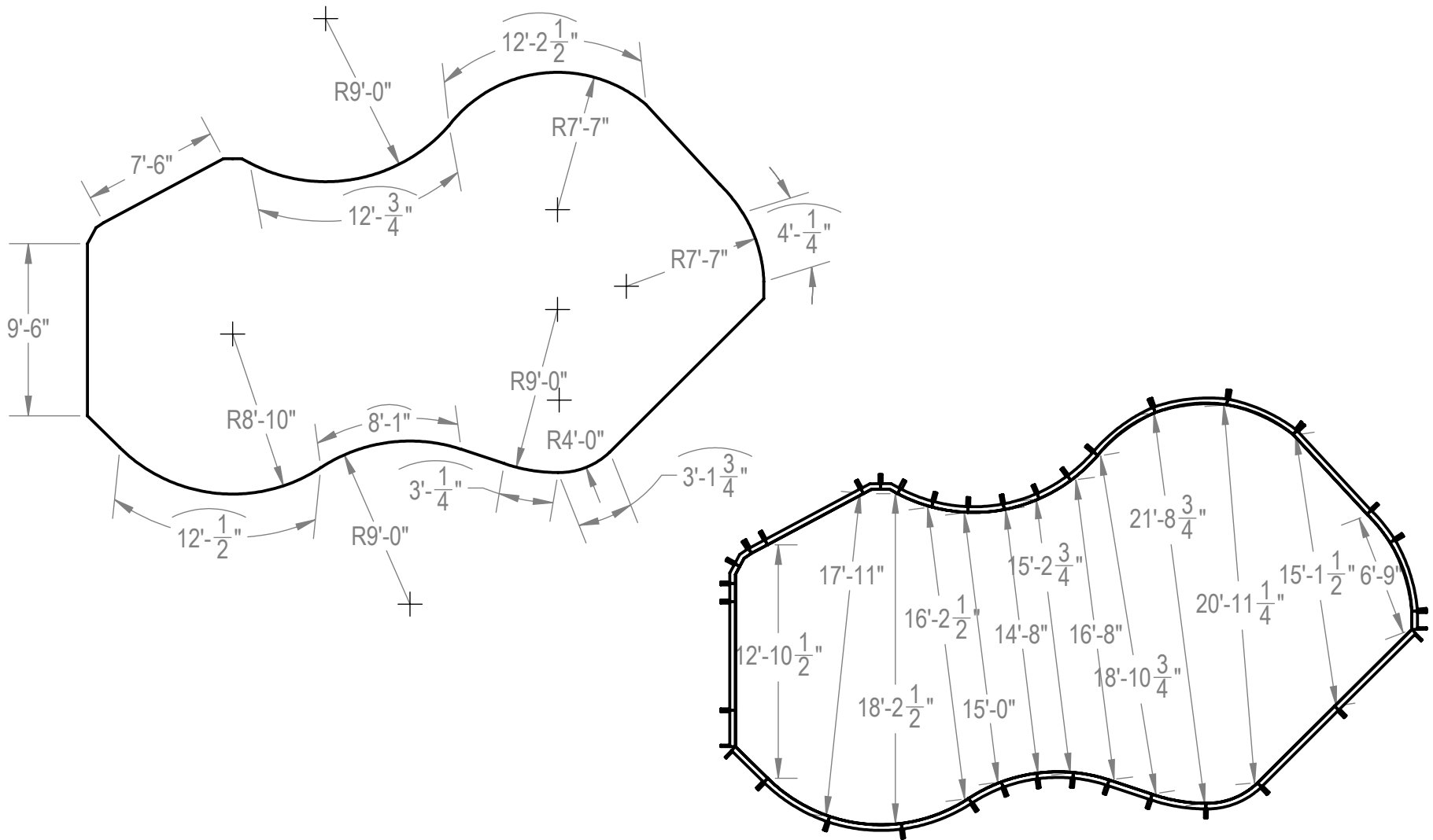


ENGINEERING DRAWING NUMBER:
00005023

WEIGHT: lbs	UNLESS OTHERWISE SPECIFIED DIMENSIONS ARE IN INCHES TOLERANCES DECIMALS: X ± 0.1 XX ± 0.01 XXX ± 0.005 XXXX ± 0.0005 ANGULAR: X ± 0.5 THIRD ANGLE PROJECTION
VOLUME: Inch ³	
COLOR:	
HEAT TREAT:	
FINISH:	
TEXTURE:	

DESIGNED BY: RCOLBOCH	CREATION DATE: 9/11/2013
DETAILED BY: JBOSSEDET	DETAILED DATE: 10/5/2012
LAST REVISED BY: jbossedet	LAST REVISED DATE: 1/26/2015
MATERIAL:	

HYDRA POOLS	
TITLE: LAYOUT, 23'-3" X 37'-4", OASIS, 8' DEEP, 500 SERIES	
PART NUMBER: 50911	SCALE: 1:192 SHEET: 5 OF 6 A



ENGINEERING DRAWING NUMBER: 00005023	WEIGHT:	UNLESS OTHERWISE SPECIFIED DIMENSIONS ARE IN INCHES TOLERANCES DECIMALS: X ± 0.1 XX ± 0.01 XXX ± 0.005 XXXX ± 0.0005 ANGULAR: X ± 0.5 THIRD ANGLE PROJECTION	DESIGNED BY:	CREATION DATE:	HYDRA POOLS LAYOUT, 23'-3" X 37'-4", OASIS, 8' DEEP, 500 SERIES
	lbs		RCOLBOCH	9/11/2013	
	VOLUME:		DETAILED BY:	DETAILED DATE:	
	Inch ³		JBOSSERDET	10/5/2012	TITLE:
	COLOR:		LAST REVISED BY:	LAST REVISED DATE:	PART NUMBER: <div style="font-size: 2em; font-weight: bold; text-align: center;">50911</div>
	NA		jbosserdet	1/26/2015	
HEAT TREAT:	MATERIAL:				
NA			SCALE:	SIZE:	
FINISH:			1:192	A	
TEXTURE:			6 OF 6		