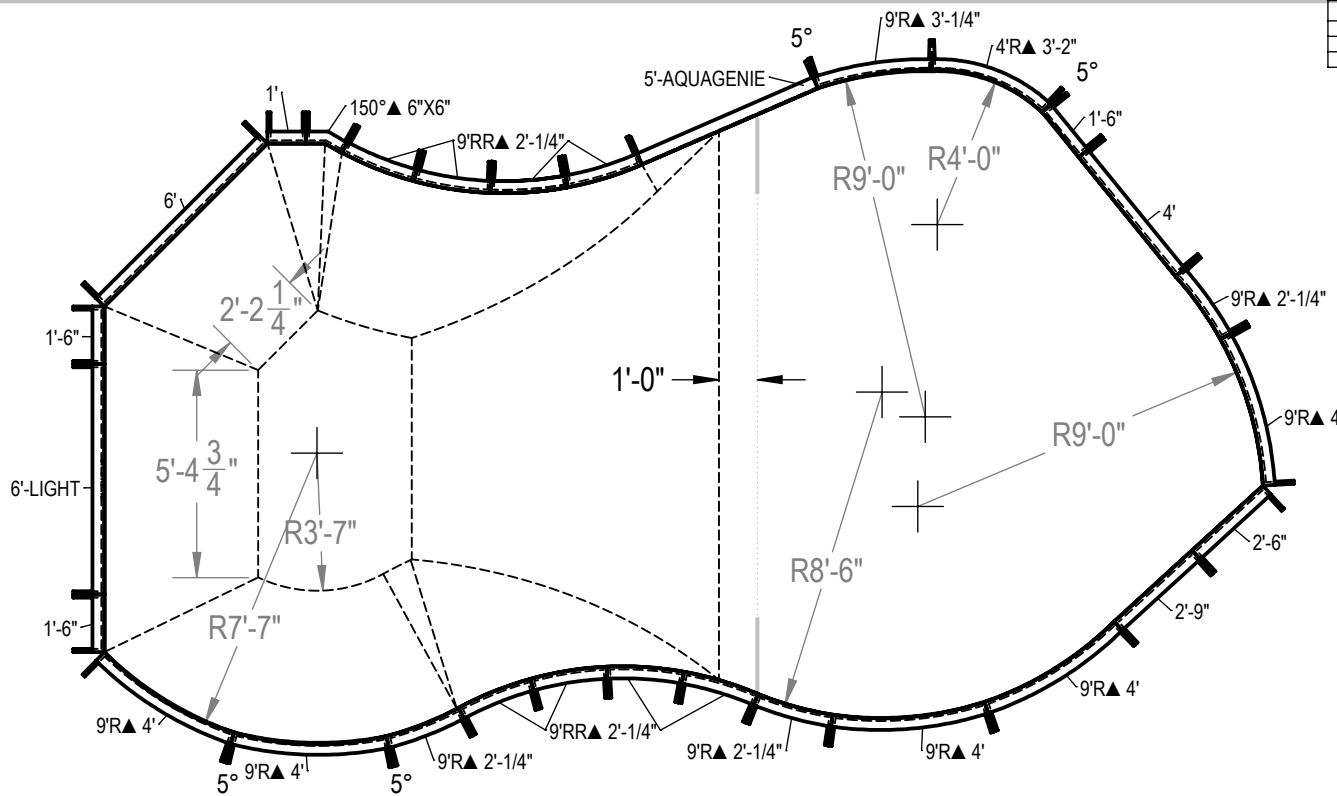


REVISION HISTORY				
REV.	DESCRIPTION	DATE	ECO	BY
A	2014 POLYMER DIG BOOK	01/06/14	NONE	THARKENRIDER
B	UPDATED TAG DATA TO INCLUDE COPING LENGTHS.	1/26/2015	391702	JBOSSERDET



ITEM	FILE NAME	DESCRIPTION	CUSTOMER DRAWING #	VENDOR PART #	QTY.	VENDOR NAME	MATERIAL
1	BRACE	BRACE, 5 TAB, TRANQUILITY - 500 SERIES	HP599	HP599	29	HYDRA POOLS	PS
2	INSERT, 5° WEDGE	INSERT, 5° WEDGE	HP226	HP226	4	HYDRA POOLS, IA	PP Homopolymer
3	PANEL, 1'-6 IN LONG	PANEL 1'-6" LONG - 500 SERIES	HP582S	HP582S	3	HYDRA POOLS	PS
4	PANEL, 1' LONG	PANEL, 1' LONG - 500 SERIES	HP501	HP501	1	HYDRA POOLS	PS
5	PANEL, 2'-9 IN LONG	PANEL, 2'-9" LONG - 500 SERIES	HP517	HP517	1	HYDRA POOLS	PS
6	PANEL, 2'-6 IN LONG	PANEL, 2'-6" LONG - 500 SERIES	HP583S	HP583S	1	HYDRA POOLS	PS
7	PANEL, 4' LONG	PANEL, 4' LONG - 500 SERIES	HP504	HP504	1	HYDRA POOLS	PS
8	PANEL, 4' RADIUS	PANEL, 4' RADIUS - 500 SERIES	HP554	HP554	1	HYDRA POOLS	PS
9	PANEL, 5' LONG WITH AQUA GENIE	PANEL, 5' LONG WITH AQUA GENIE - 500 SERIES	HP505A	HP505A	1	HYDRA POOLS	PS
10	PANEL, 6' LONG	PANEL, 6' LONG - 500 SERIES	HP506	HP506	1	HYDRA POOLS	PS
11	PANEL, 6' LONG WITH LIGHT	PANEL, 6' LONG WITH LIGHT - 500 SERIES	HP506L	HP506L	1	HYDRA POOLS	PS
12	PANEL, 9' RADIUS, 2' LONG	PANEL, 9' RADIUS, 2' LONG, INSERT OVAL - 500 SERIES	HP510	HP510	3	HYDRA POOLS	PS
13	PANEL, 9' RADIUS, 3' LONG	PANEL, 9' RADIUS, 3' LONG, ROMAN - 500 SERIES	HP525D	HP525D	1	HYDRA POOLS	PS
14	PANEL, 9' RADIUS, 4' LONG	PANEL, 9' RADIUS, 4' LONG - 500 SERIES	HP559	HP559	5	HYDRA POOLS	PS
15	PANEL, 9' REVERSE RADIUS	PANEL, 9' REVERSE RADIUS - 500 SERIES	HP519N	HP519N	9	HYDRA POOLS	PS
16	PANEL, L, 150° X 6 IN X 6 IN	PANEL, L, 150° X 6" X 6" - 500 SERIES	HP521	HP521	1	HYDRA POOLS	PS
17	BRACE, STEEL CORNER, 45° PINNACLE	WEDGE, STEEL CORNER, 45° PINNACLE	H01576	H01576	4	HYDRA POOLS, IA	G-235, 14 GA, CS-B

NOTES:

- THESE ARE FINISHED DIMENSIONS READY FOR THE LINER.
- DIMENSIONS ARE FROM INSIDE POOL PANELS.
- THE IDEAL WATER LEVER SHOULD BE TO THE MIDDLE OF THE SKIMMER OPENING(S).

EXCAVATION NOTES:

- ROUGH EXCAVATION SHOULD BE 2" DEEPER IN EACH INSTANCE.
- SOIL TO HAVE MINIMUM BEARING CAPACITY OF 1500 PSF.
- LOCATE TOP OF POOL AT LEAST 6" ABOVE THE SURROUNDING LAND ELEVATION.
- SEE "OVER DIG DETAIL" FOR EXCAVATION AROUND POOL.
- FILL VOIDS UNDER BASE OF PANELS AND TAMP WELL.
- BACK FILL WITH NON-EXPANSIVE MATERIAL.
- ANSI / APSP / ICC-5 FOR RESIDENTIAL POOLS, 2003-2007 BOCA CODE SECTION 421.

IMPORTANT NOTES:

- THIS DOCUMENT IS FOR ILLUSTRATIVE PURPOSES ONLY. THE DEALER OR CONTRACTOR WHO SELLS OR INSTALLS YOUR POOL IS AN INDEPENDENT CONTRACTOR AND IS NOT AN AGENT OF THE MANUFACTURER. THE CONSTRUCTION METHODS ILLUSTRATED HERE ARE SUGGESTIONS AND APPLY ONLY TO NORMAL GROUND CONDITIONS. THERE MAY BE ADDITIONAL PRECAUTIONS AND/OR METHODS OF CONSTRUCTION. PROPER INSTALLATION IS THE RESPONSIBILITY OF THE DEALER/BUILDER/CONTRACTOR.

ENGINEERING DRAWING NUMBER:
00005010

WEIGHT: 103374.9 lbs	UNLESS OTHERWISE SPECIFIED DIMENSIONS ARE IN INCHES
VOLUME: Inch ³	
COLOR:	TOLERANCES DECIMALS: X ± 0.1 XX ± 0.01 XXX ± 0.005 XXXX ± 0.0005
HEAT TREAT:	ANGULAR: X ± 0.5 THIRD ANGLE PROJECTION
FINISH:	
TEXTURE:	

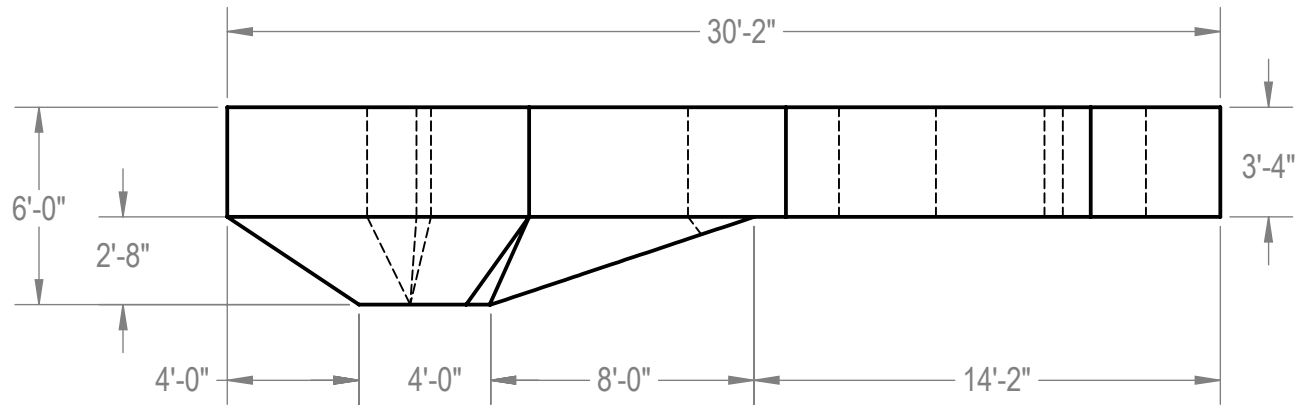
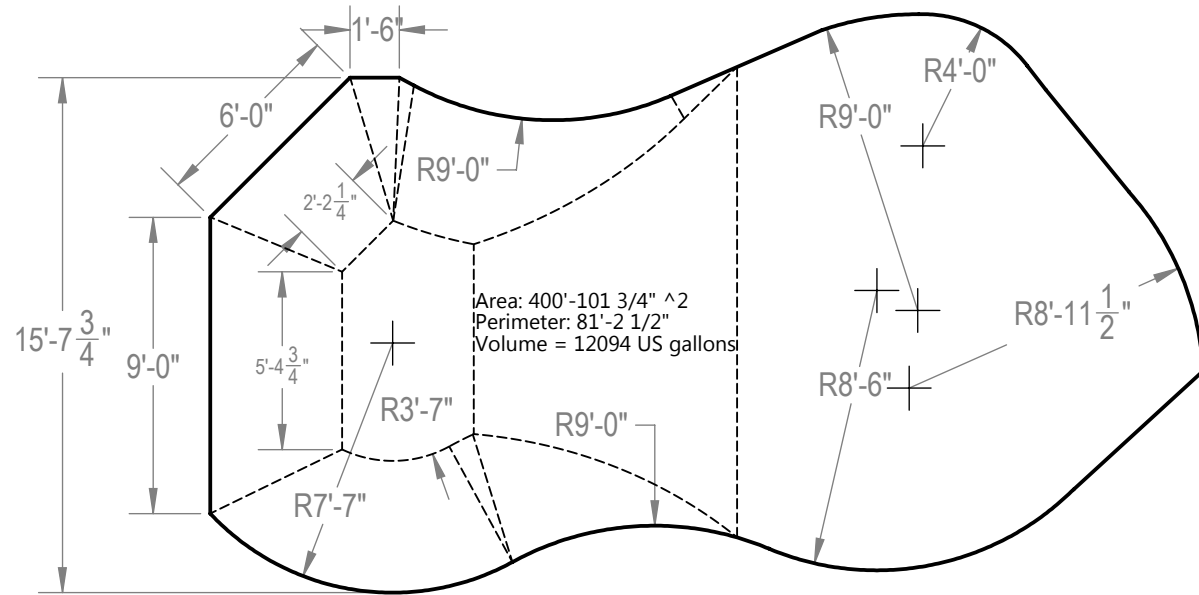
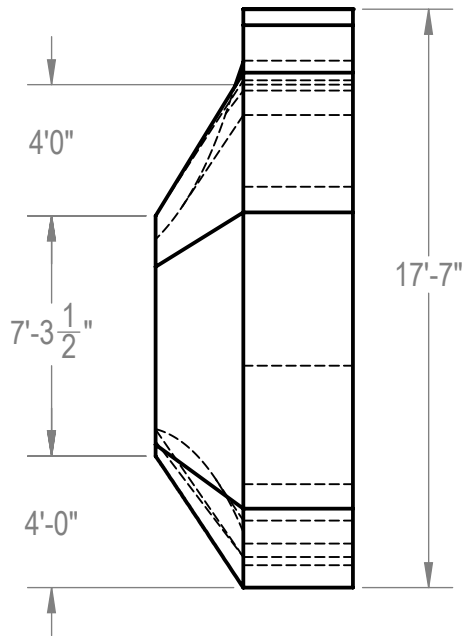
DESIGNED BY: THARKENRIDER	CREATION DATE: 1/3/2014
DETAILED BY: JBOSSERDET	DETAILED DATE: 10/5/2012
LAST REVISED BY: jbosserdet	LAST REVISED DATE: 1/26/2015
MATERIAL:	

HYDRA POOLS

TITLE: LAYOUT, 17'-7" X 30'-2", OASIS, 6' DEEP, 500 SERIES

PART NUMBER: **50906**

SCALE: 1:128
SHEET: 1 OF 6
SIZE: **A**



NOTES:

1. THESE ARE FINISHED DIMENSIONS READY FOR THE LINER.
2. DIMENSIONS ARE FROM INSIDE POOL PANELS.
3. THE IDEAL WATER LEVEL SHOULD BE TO THE MIDDLE OF THE SKIMMER OPENING(S).

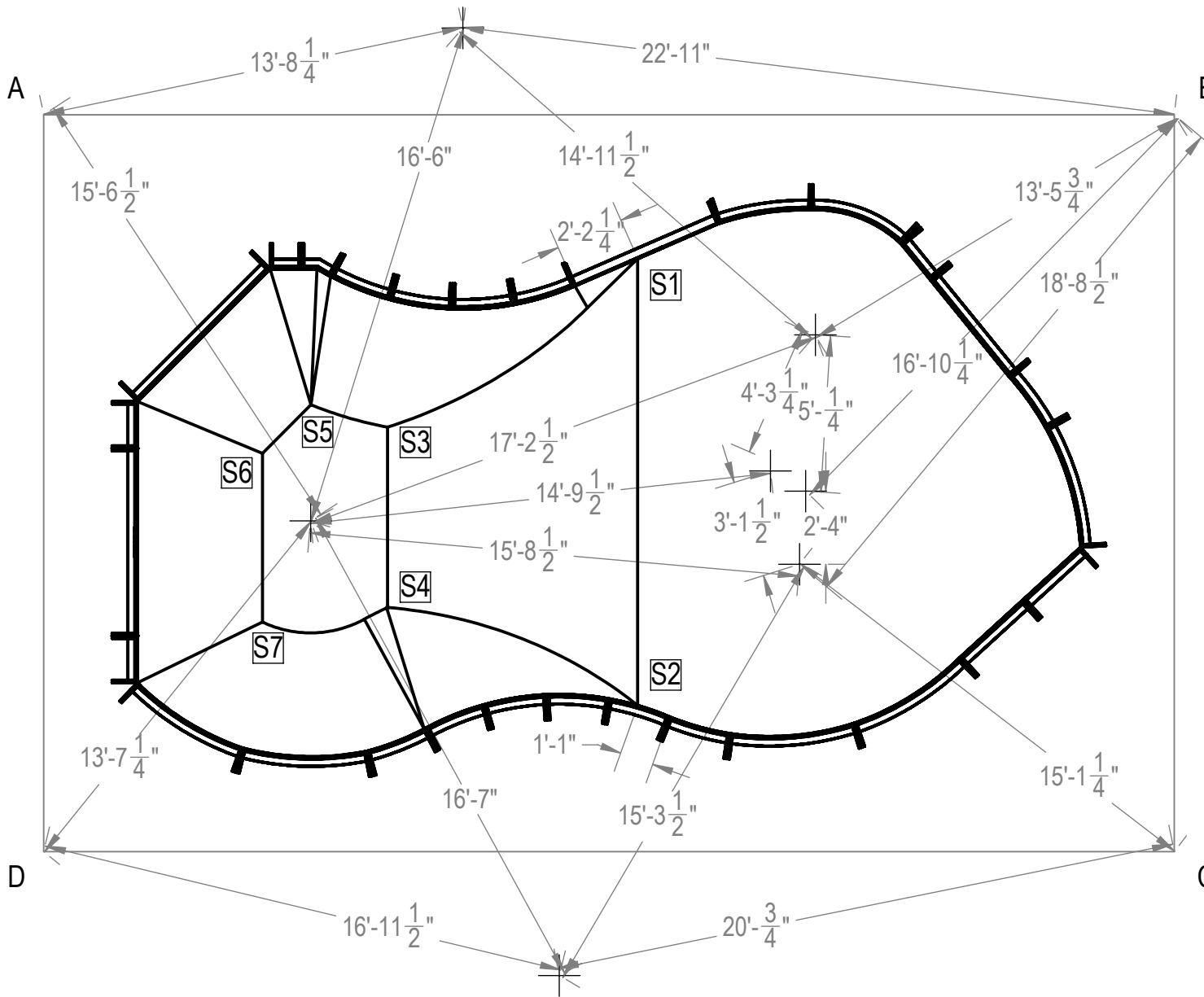
EXCAVATION NOTES:

4. ROUGH EXCAVATION SHOULD BE 2" DEEPER IN EACH INSTANCE.
5. SOIL TO HAVE MINIMUM BEARING CAPACITY OF 1500 PSF.
6. LOCATE TOP OF POOL AT LEAST 6" ABOVE THE SURROUNDING LAND ELEVATION.
7. SEE "OVER DIG DETAIL" FOR EXCAVATION AROUND POOL.
8. FILL VOIDS UNDER BASE OF PANELS AND TAMP WELL.
9. BACK FILL WITH NON-EXPANSIVE MATERIAL.
10. ANSI / APSP / ICC-5 FOR RESIDENTIAL POOLS, 2003-2007 BOCA CODE SECTION 421.

IMPORTANT NOTES:

11. THIS DOCUMENT IS FOR ILLUSTRATIVE PURPOSES ONLY. THE DEALER OR CONTRACTOR WHO SELLS OR INSTALLS YOUR POOL IS AN INDEPENDENT CONTRACTOR AND IS NOT AN AGENT OF THE MANUFACTURER. THE CONSTRUCTION METHODS ILLUSTRATED HERE ARE SUGGESTIONS AND APPLY ONLY TO NORMAL GROUND CONDITIONS. THERE MAY BE ADDITIONAL PRECAUTIONS AND/OR METHODS OF CONSTRUCTION. PROPER INSTALLATION IS THE RESPONSIBILITY OF THE DEALER/BUILDER/CONTRACTOR.

ENGINEERING DRAWING NUMBER: 00005010	WEIGHT: 100931.467 lbs VOLUME: 2793774.172 Inch ³	UNLESS OTHERWISE SPECIFIED DIMENSIONS ARE IN INCHES TOLERANCES DECIMALS: X ± .1 XX ± .01 XXX ± .001 XXXX ± .0005 ANGULAR: X ± 0.5 THIRD ANGLE PROJECTION	DESIGNED BY: THARKENRIDER	CREATION DATE: 1/3/2014	HYDRA POOLS LAYOUT, 17'-7" X 30'-2", OASIS, 6' DEEP, 500 SERIES
	COLOR: NA HEAT TREAT: NA FINISH: NA TEXTURE: NA		DETAILED BY: JBOSSERDET	DETAILED DATE: 10/5/2012	
	NA NA NA		LAST REVISED BY: jbosserdet	LAST REVISED DATE: 1/26/2015	
	MATERIAL: Water		TITLE:	PART NUMBER:	
			50906		SCALE: 1:96 SHEET: 2 OF 6
					A



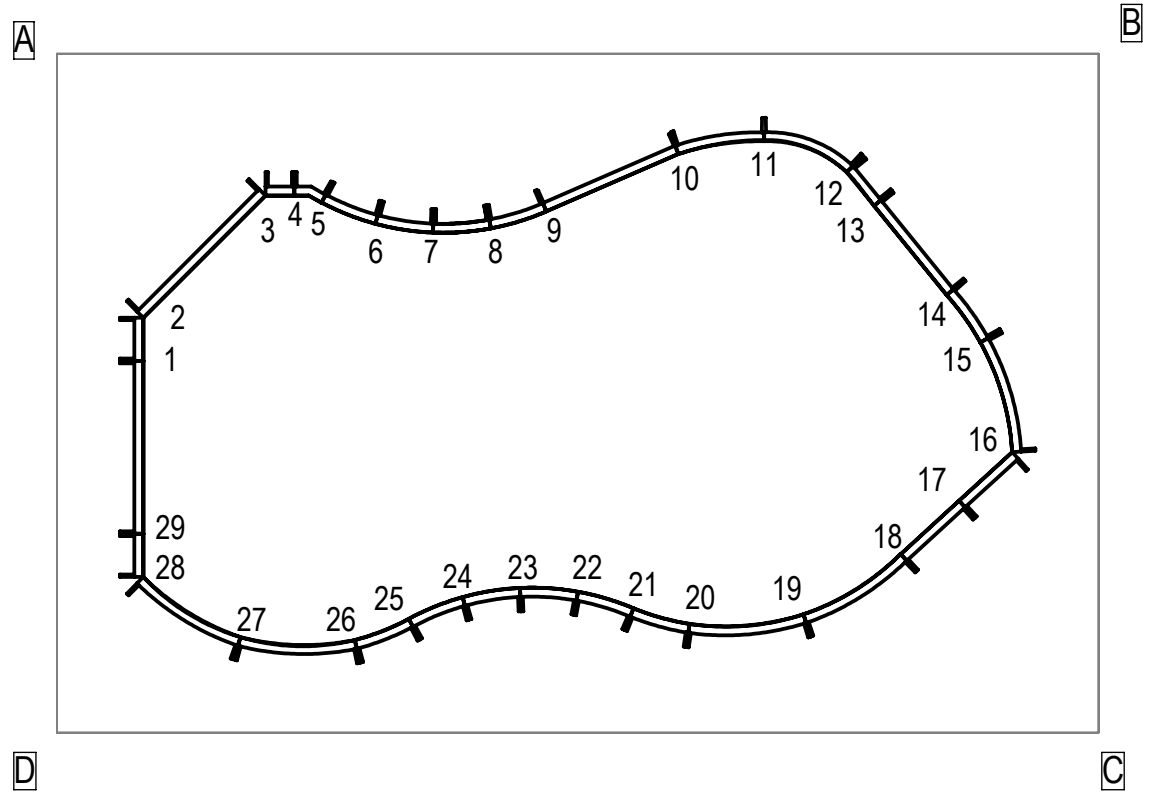
A-S1	19'-6 1/2"
B-S1	17'-9 1/4"
A-S2	26'-9 1/2"
B-S2	25'-6 1/4"
A-S3	14'-10 1/4"
B-S3	27'-1"
A-S4	19'-2 3/4"
B-S4	29'-8 1/4"
A-S5	12'-7 1/2"
B-S5	29'-1 1/2"
A-S6	12'-10 3/4"
B-S6	31'-1 1/4"
A-S7	17'-8"
B-S7	33'-4 1/2"

ENGINEERING DRAWING NUMBER: 00005010	WEIGHT: 103374.9 lbs	UNLESS OTHERWISE SPECIFIED DIMENSIONS ARE IN INCHES TOLERANCES DECIMALS: X ± 0.1 XX ± 0.01 XXX ± 0.005 XXXX ± 0.0005 ANGULAR: X ± 0.5 THIRD ANGLE PROJECTION 	DESIGNED BY: THARKENRIDER	CREATION DATE: 1/3/2014
	VOLUME: Inch³		DETAILED BY: JBOSSEDET	DETAILED DATE: 10/5/2012
	COLOR:		LAST REVISED BY: jbossedet	LAST REVISED DATE: 1/26/2015
	HEAT TREAT:		MATERIAL:	
	FINISH:			
	TEXTURE:			

HYDRA POOLS	
TITLE: LAYOUT, 17'-7" X 30'-2", OASIS, 6' DEEP, 500 SERIES	
PART NUMBER: 50906	SCALE: 1:128 SHEET: 3 OF 6 SIZE: A

	A	B	C	D
1	11'-1"	34'-10"	35'-7"	13'-3"
2	9'-7 3/4"	34'-5"	36'-2"	14'-8 1/2"
3	8'-9 1/4"	29'-4"	34'-5"	20'-0"
4	9'-7 1/4"	28'-4 1/4"	33'-7"	20'-4 3/4"
5	10'-6 1/2"	27'-5 3/4"	32'-8"	20'-6 3/4"
6	12'-6 1/2"	25'-9 1/2"	30'-8 1/2"	20'-10 1/4"
7	14'-5 1/2"	23'-11 1/4"	28'-11"	21'-8 3/4"
8	16'-3"	21'-11 1/2"	27'-5"	23'-1 1/4"
9	17'-10 1/4"	19'-11 1/4"	26'-4 1/2"	24'-10"
10	21'-10 1/4"	15'-0"	24'-10"	29'-5 3/4"
11	24'-8 1/2"	12'- 1/4"	23'-7"	32'-0"
12	27'-8 3/4"	9'-8"	21'-4"	33'-7 1/2"
13	28'-10 1/2"	9'-5"	19'-10 1/2"	33'-9"
14	32'- 1/4"	9'-11"	16'-1"	34'-5"
15	33'-7"	10'-10"	14'-2"	34'-9 3/4"
16	35'-11 1/4"	14'-2"	10'-2 1/4"	34'-6 3/4"
17	34'-11 1/2"	16'-3 1/4"	9'-4 3/4"	32'-4"
18	34'- 3/4"	18'-9 1/4"	9'-3"	29'-11 1/4"
19	32'-5"	22'-0"	11'- 1/2"	26'-3"
20	29'-7"	24'-4 1/2"	14'-8 1/4"	22'-3 1/2"
21	27'-8 3/4"	25'-1 3/4"	16'-8 1/2"	20'-5 3/4"
22	26'-0"	26'-0"	18'-8 3/4"	18'-9"
23	24'-6 1/2"	27'-4 1/4"	20'-8 1/2"	16'-10 1/4"
24	23'-6 1/2"	29'- 1/2"	22'-7"	14'-10 1/4"
25	23'-1 1/4"	31'- 1/4"	24'-3 1/4"	12'-10"
26	22'-10"	32'-10 3/4"	26'- 1/4"	10'-10"
27	21'-3"	36'- 1/4"	29'-11 3/4"	7'-2 1/4"
28	18'-5"	37'-9 3/4"	33'-7 1/4"	6'-2 1/4"
29	16'-11 1/4"	37'-1 1/2"	33'-10 1/2"	7'-6 1/4"

A-B	36'-2"
B-C	23'-7"
A-C	43'-2"



ENGINEERING DRAWING NUMBER:
00005010

UNLESS OTHERWISE SPECIFIED
DIMENSIONS ARE IN INCHES

TOLERANCES
DECIMALS: X ± 0.1
 XX ± 0.01
 XXX ± 0.005
 XXXX ± 0.0005

ANGULAR: X ± 0.5
THIRD ANGLE PROJECTION

DESIGNED BY:
THARKENRIDER

CREATION DATE:
1/3/2014

DETAILED BY:
JBOSSERDET

DETAILED DATE:
10/5/2012

LAST REVISED BY:
jbosserdet

LAST REVISED DATE:
1/26/2015

MATERIAL:

HYDRA POOLS

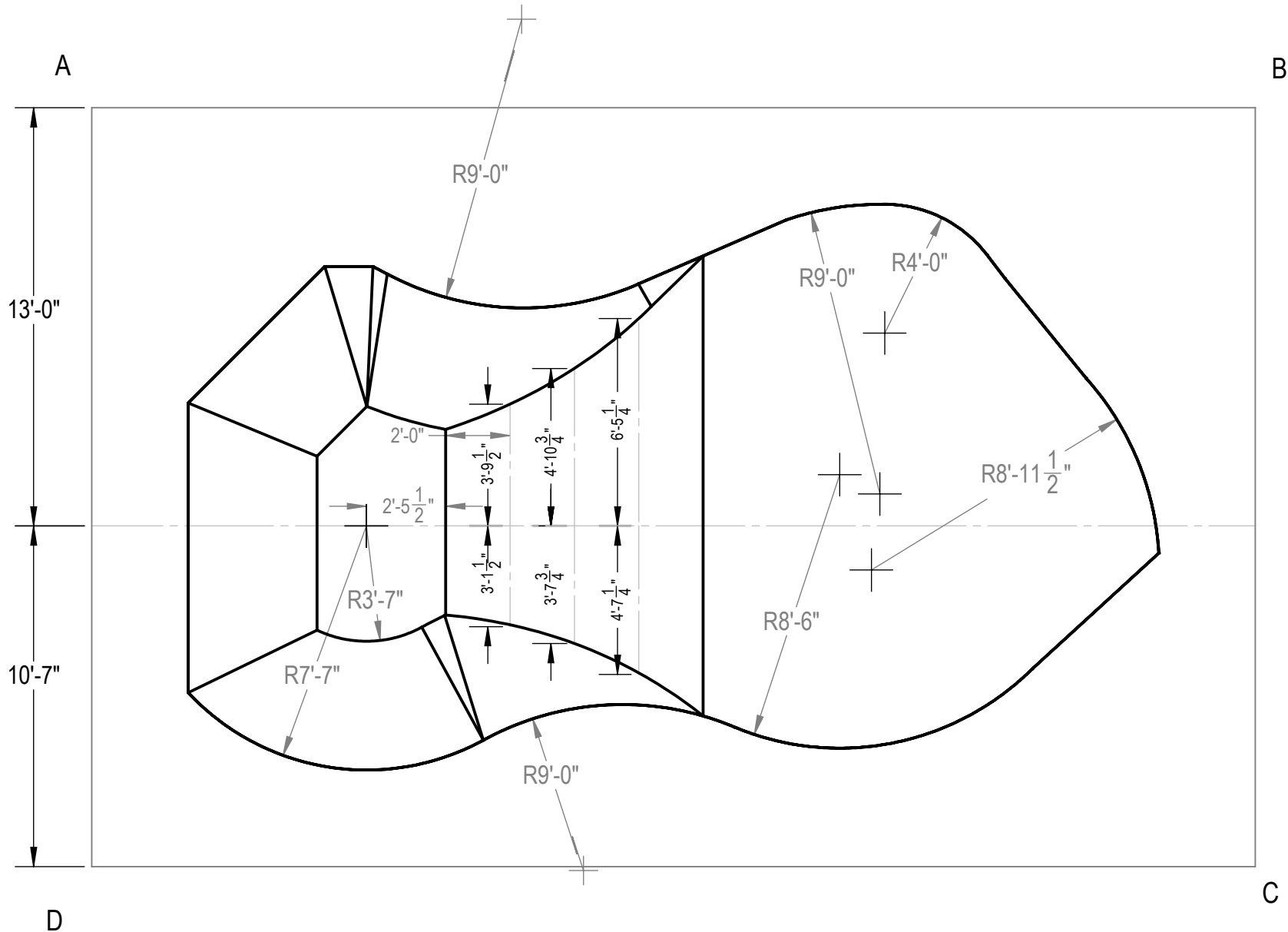
**TITLE: LAYOUT, 17'-7" X 30'-2", OASIS, 6' DEEP,
500 SERIES**

PART NUMBER:
50906

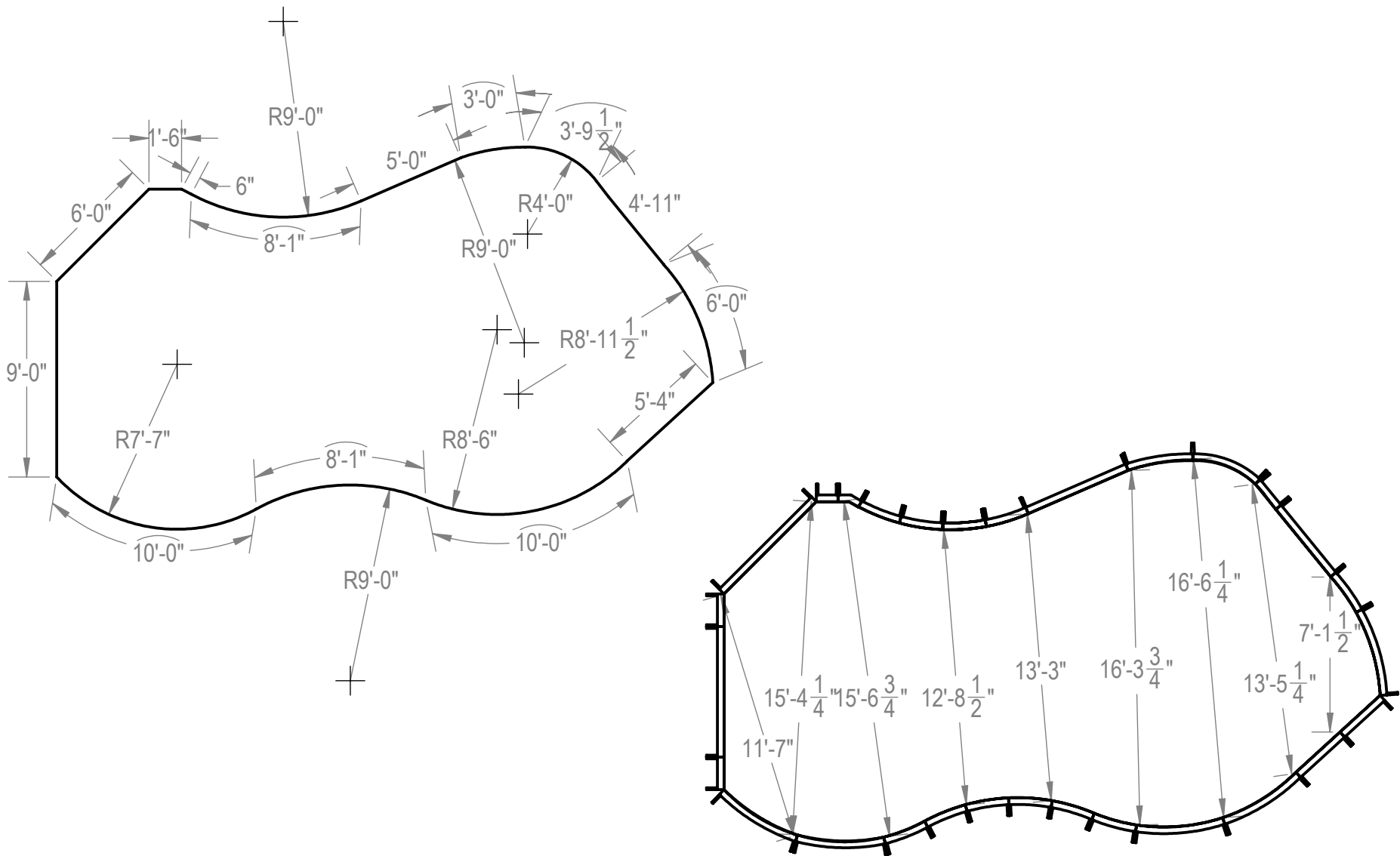
SCALE:
1:128


SHEET:
4 OF 6

A



ENGINEERING DRAWING NUMBER: 00005010	WEIGHT: 100931.467 lbs	UNLESS OTHERWISE SPECIFIED DIMENSIONS ARE IN INCHES	DESIGNED BY: THARKENRIDER	CREATION DATE: 1/3/2014	HYDRA POOLS LAYOUT, 17'-7" X 30'-2", OASIS, 6' DEEP, 500 SERIES	
	VOLUME: 2793774.172 Inch ³		TOLERANCES	DETAILED BY: JBOSSEDET		DETAILED DATE: 10/5/2012
	COLOR:	DECIMALS: X ± 0.1 XX ± 0.01 XXX ± 0.005 XXXX ± 0.0005	LAST REVISED BY: jbossedet	LAST REVISED DATE: 1/26/2015	PART NUMBER: 50906	
	HEAT TREAT:	ANGULAR: X ± 0.5 THIRD ANGLE PROJECTION	MATERIAL: Water	SCALE: 1:96		SIZE: A
	FINISH:			SHEET: 5 OF 6		
TEXTURE:						



ENGINEERING DRAWING NUMBER: 00005010	WEIGHT: 103374.9 lbs	UNLESS OTHERWISE SPECIFIED DIMENSIONS ARE IN INCHES TOLERANCES DECIMALS: X ± 0.1 XX ± 0.01 XXX ± 0.005 XXXX ± 0.0005 ANGULAR: X ± 0.5 THIRD ANGLE PROJECTION 	DESIGNED BY: THARKENRIDER	CREATION DATE: 1/3/2014	HYDRA POOLS LAYOUT, 17'-7" X 30'-2", OASIS, 6' DEEP, 500 SERIES
	VOLUME: Inch ³		DETAILED BY: JBOSSEDET	DETAILED DATE: 10/5/2012	
	COLOR:		LAST REVISED BY: jbossedet	LAST REVISED DATE: 1/26/2015	
	HEAT TREAT:		MATERIAL:	PART NUMBER: 50906	
	FINISH:			SCALE: 1:128	
TEXTURE:		SIZE: 6 OF 6 A			