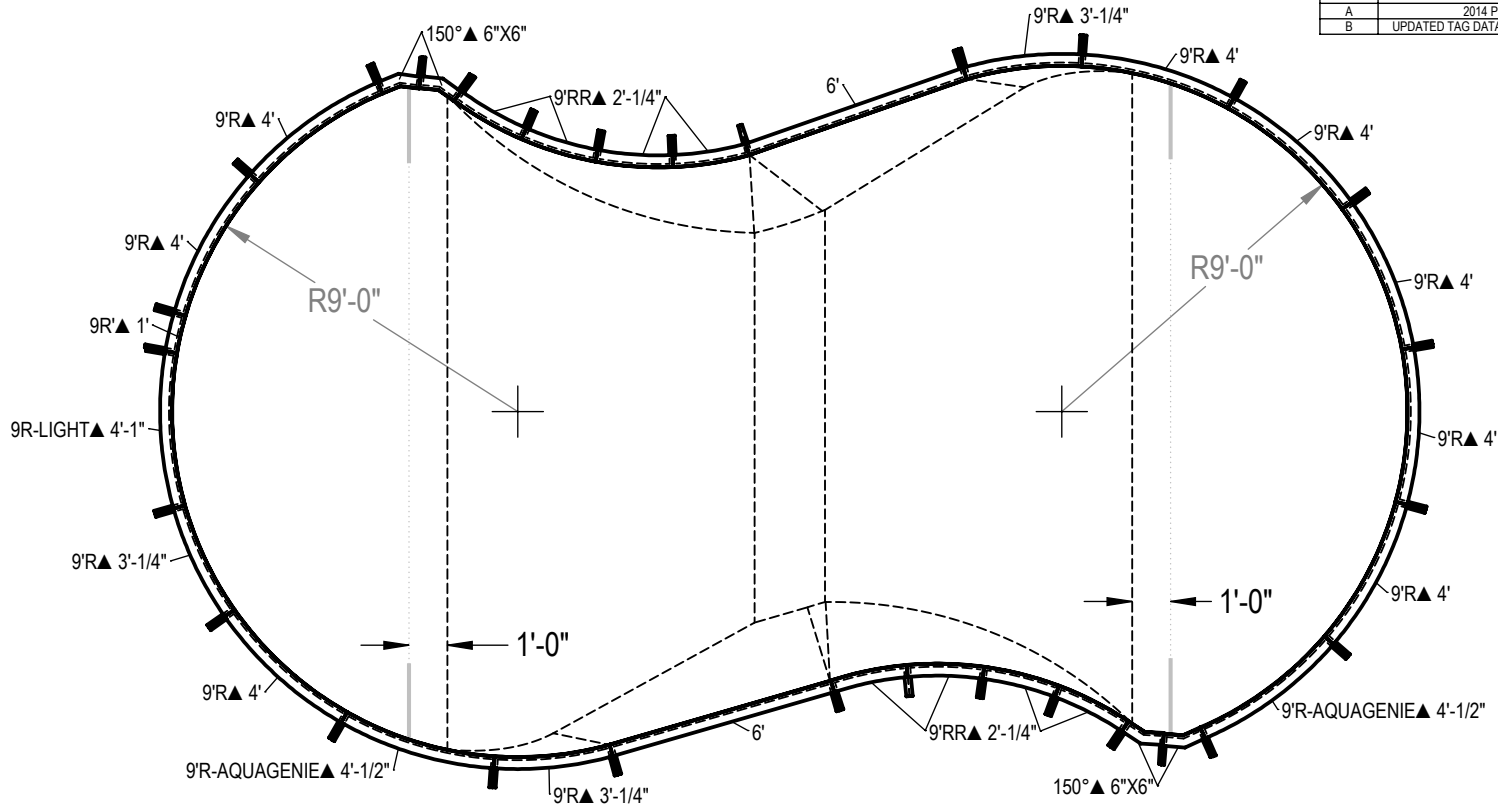


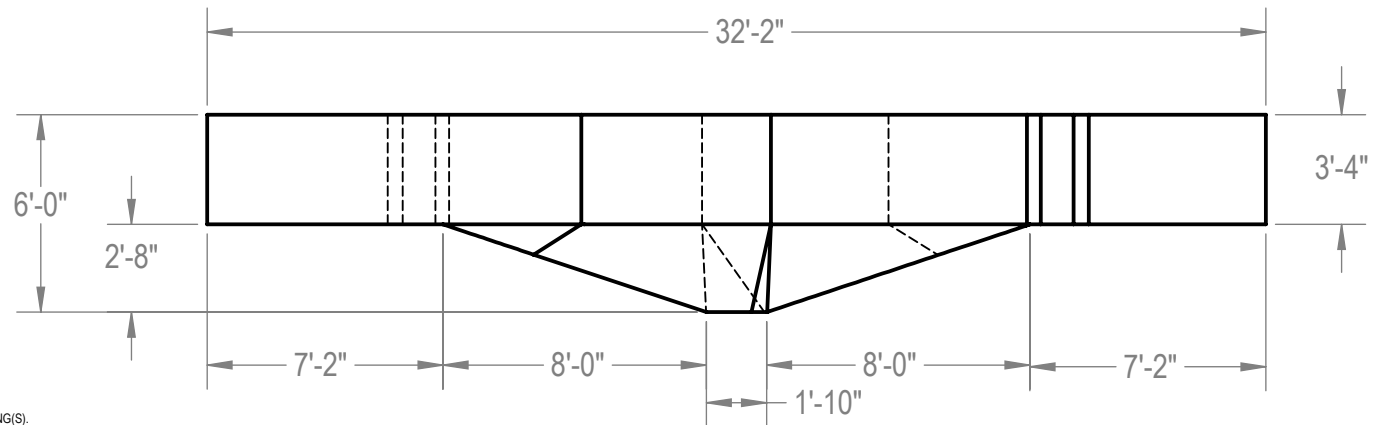
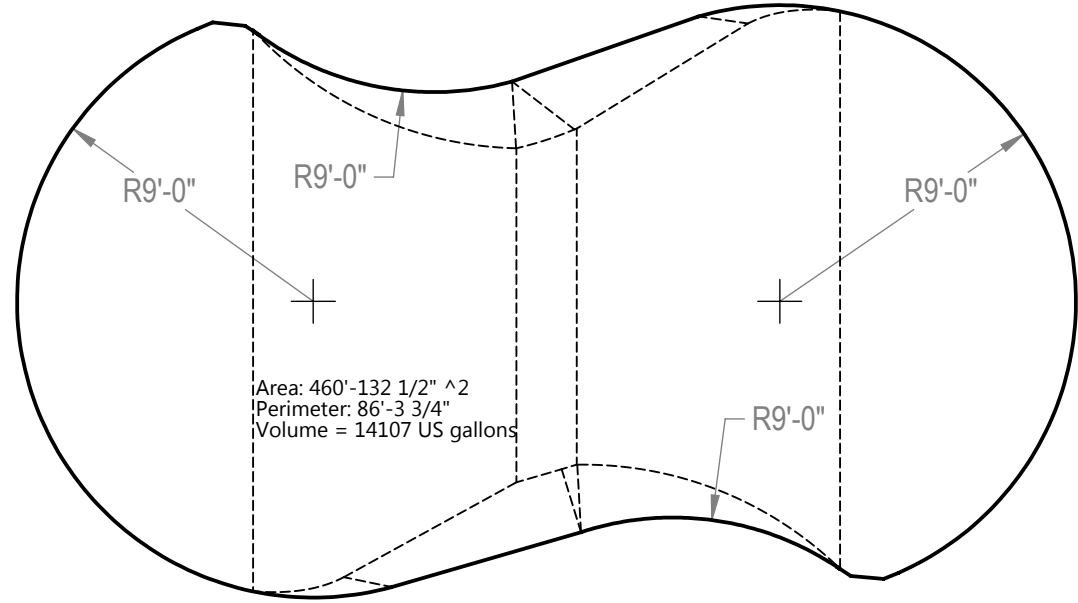
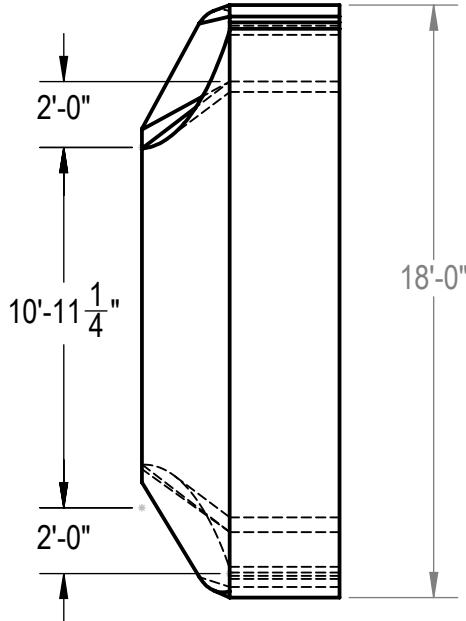
REVISION HISTORY				
REV.	DESCRIPTION	DATE	ECO	BY
A	2014 POLYMER DIG BOOK	01/03/14	NONE	THARKENRIDER
B	UPDATED TAG DATA TO INCLUDE COPING LENGTHS.	1/23/2015	391702	JBOSSERDET



- NOTES:**
- THESE ARE FINISHED DIMENSIONS READY FOR THE LINER.
 - DIMENSIONS ARE FROM INSIDE POOL PANELS.
 - THE IDEAL WATER LEVER SHOULD BE TO THE MIDDLE OF THE SKIMMER OPENING(S).
- EXCAVATION NOTES:**
- ROUGH EXCAVATION SHOULD BE 2" DEEPER IN EACH INSTANCE.
 - SOIL TO HAVE MINIMUM BEARING CAPACITY OF 1500 PSF.
 - LOCATE TOP OF POOL AT LEAST 6" ABOVE THE SURROUNDING LAND ELEVATION.
 - SEE "OVER DIG DETAIL" FOR EXCAVATION AROUND POOL.
 - FILL VOIDS UNDER BASE OF PANELS AND TAMP WELL.
 - BACK FILL WITH NON-EXPANSIVE MATERIAL.
 - ANSI / APSP / ICC-5 FOR RESIDENTIAL POOLS, 2003-2007 BOCA CODE SECTION 421.
- IMPORTANT NOTES:**
- THIS DOCUMENT IS FOR ILLUSTRATIVE PURPOSES ONLY. THE DEALER OR CONTRACTOR WHO SELLS OR INSTALLS YOUR POOL IS AN INDEPENDENT CONTRACTOR AND IS NOT AN AGENT OF THE MANUFACTURER. THE CONSTRUCTION METHODS ILLUSTRATED HERE ARE SUGGESTIONS AND APPLY ONLY TO NORMAL GROUND CONDITIONS. THERE MAY BE ADDITIONAL PRECAUTIONS AND/OR METHODS OF CONSTRUCTION. PROPER INSTALLATION IS THE RESPONSIBILITY OF THE DEALER/BUILDER/CONTRACTOR.

ITEM	FILE NAME	DESCRIPTION	CUSTOMER DRAWING #	VENDOR PART #	QTY.	VENDOR NAME	MATERIAL
1	BRACE	BRACE, 5 TAB, TRANQUILITY - 500 SERIES	HP599	HP599	29	HYDRA POOLS	PS
2	PANEL, 6' LONG	PANEL, 6' LONG - 500 SERIES	HP506	HP506	2	HYDRA POOLS	PS
3	PANEL, 9' RADIUS WITH AQUA GENIE	PANEL, 9' RADIUS WITH AQUAGENIE - 500 SERIES	HP559A	HP559A	2	HYDRA POOLS	PS
4	PANEL, 9' RADIUS WITH LIGHT	PANEL, 9' RADIUS WITH LIGHT - 500 SERIES	HP559LL	HP559LL	1	HYDRA POOLS	PS
5	PANEL, 9' RADIUS, 1' LONG	PANEL, 9' RADIUS, 1' LONG - 500 SERIES	HP515D	HP515D	1	HYDRA POOLS	PS
6	PANEL, 9' RADIUS, 3' LONG	PANEL, 9' RADIUS, 3' LONG, ROMAN - 500 SERIES	HP525D	HP525D	3	HYDRA POOLS	PS
7	PANEL, 9' RADIUS, 4' LONG	PANEL, 9' RADIUS, 4' LONG - 500 SERIES	HP559	HP559	8	HYDRA POOLS	PS
8	PANEL, 9' REVERSE RADIUS	PANEL, 9' REVERSE RADIUS - 500 SERIES	HP519N	HP519N	8	HYDRA POOLS	PS
9	PANEL, L, 150° X 6' IN X 6' IN	PANEL, L, 150° X 6' X 6' - 500 SERIES	HP521	HP521	4	HYDRA POOLS	PS

ENGINEERING DRAWING NUMBER: 00005002	UNLESS OTHERWISE SPECIFIED DIMENSIONS ARE IN INCHES TOLERANCES DECIMALS: X ± .1 XX ± .01 XXX ± .001 XXXX ± .0005 ANGULAR: X ± 0.5 THIRD ANGLE PROJECTION	DESIGNED BY: RCOLBOCH DETAILED BY: JBOSSERDET LAST REVISED BY: jbossdet MATERIAL:	CREATION DATE: 10/30/2013 DETAILED DATE: 10/5/2012 LAST REVISED DATE: 1/23/2015	HYDRA POOLS TITLE: LAYOUT, 18' X 32'-2", BAHAMA, 6' DEEP, 500 SERIES PART NUMBER: 50901	SCALE: 1:128 SHEET: 1 OF 6 A
--	---	--	---	---	---

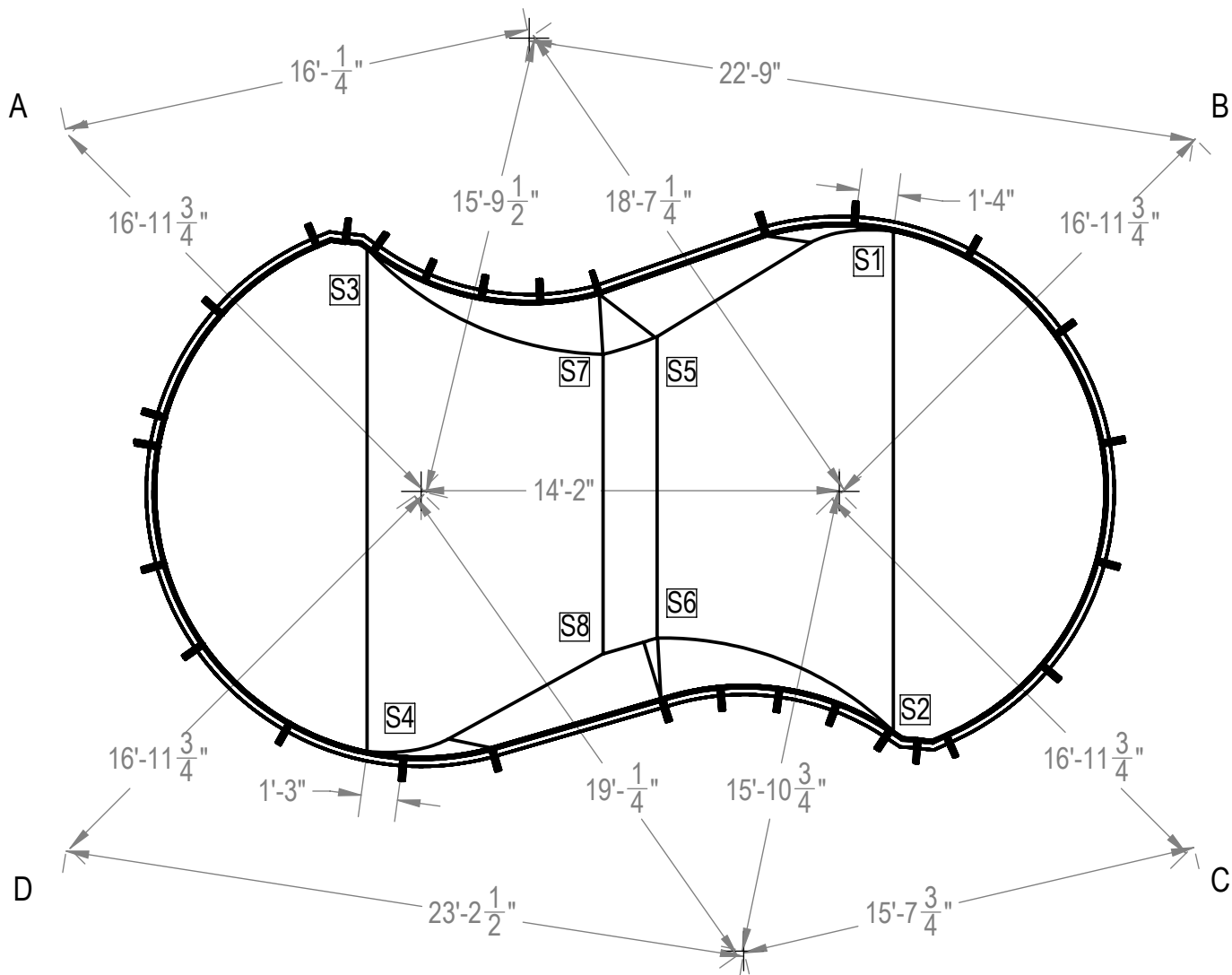


- NOTES:**
1. THESE ARE FINISHED DIMENSIONS READY FOR THE LINER.
 2. DIMENSIONS ARE FROM INSIDE POOL PANELS.
 3. THE IDEAL WATER LEVEL SHOULD BE TO THE MIDDLE OF THE SKIMMER OPENING(S).
- EXCAVATION NOTES:**
4. ROUGH EXCAVATION SHOULD BE 2' DEEPER IN EACH INSTANCE.
 5. SOIL TO HAVE MINIMUM BEARING CAPACITY OF 1500 PSF.
 6. LOCATE TOP OF POOL AT LEAST 6" ABOVE THE SURROUNDING LAND ELEVATION.
 7. SEE "OVER DIG DETAIL" FOR EXCAVATION AROUND POOL.
 8. FILL VOIDS UNDER BASE OF PANELS AND TAMP WELL.
 9. BACK FILL WITH NON-EXPANSIVE MATERIAL.
 10. ANSI / APSP / ICC-5 FOR RESIDENTIAL POOLS, 2003-2007 BOCA CODE SECTION 421.

IMPORTANT NOTES:

11. THIS DOCUMENT IS FOR ILLUSTRATIVE PURPOSES ONLY. THE DEALER OR CONTRACTOR WHO SELLS OR INSTALLS YOUR POOL IS AN INDEPENDENT CONTRACTOR AND IS NOT AN AGENT OF THE MANUFACTURER. THE CONSTRUCTION METHODS ILLUSTRATED HERE ARE SUGGESTIONS AND APPLY ONLY TO NORMAL GROUND CONDITIONS. THERE MAY BE ADDITIONAL PRECAUTIONS AND/OR METHODS OF CONSTRUCTION. PROPER INSTALLATION IS THE RESPONSIBILITY OF THE DEALER/BUILDER/CONTRACTOR.

ENGINEERING DRAWING NUMBER: 00005002	WEIGHT:	UNLESS OTHERWISE SPECIFIED DIMENSIONS ARE IN INCHES TOLERANCES DECIMALS: X ± .1 XX ± .01 XXX ± .001 XXXX ± .0005 ANGULAR: X ± 0.5 THIRD ANGLE PROJECTION	DESIGNED BY:	CREATION DATE:	HYDRA POOLS
	lbs		RCOLBOCH	10/30/2013	
	VOLUME:			DETAILED BY:	DETAILED DATE:
	Inch ³			JBOSSERDET	10/5/2012
COLOR:		LAST REVISED BY:	LAST REVISED DATE:	TITLE: LAYOUT, 18' X 32'-2", BAHAMA, 6' DEEP, 500 SERIES	
NA		jbossdet	1/23/2015		
HEAT TREAT:		MATERIAL:	PART NUMBER: 50901		
NA					
FINISH:					
TEXTURE:					
NA			SCALE: 1:128 SHEET: 2 OF 6		A

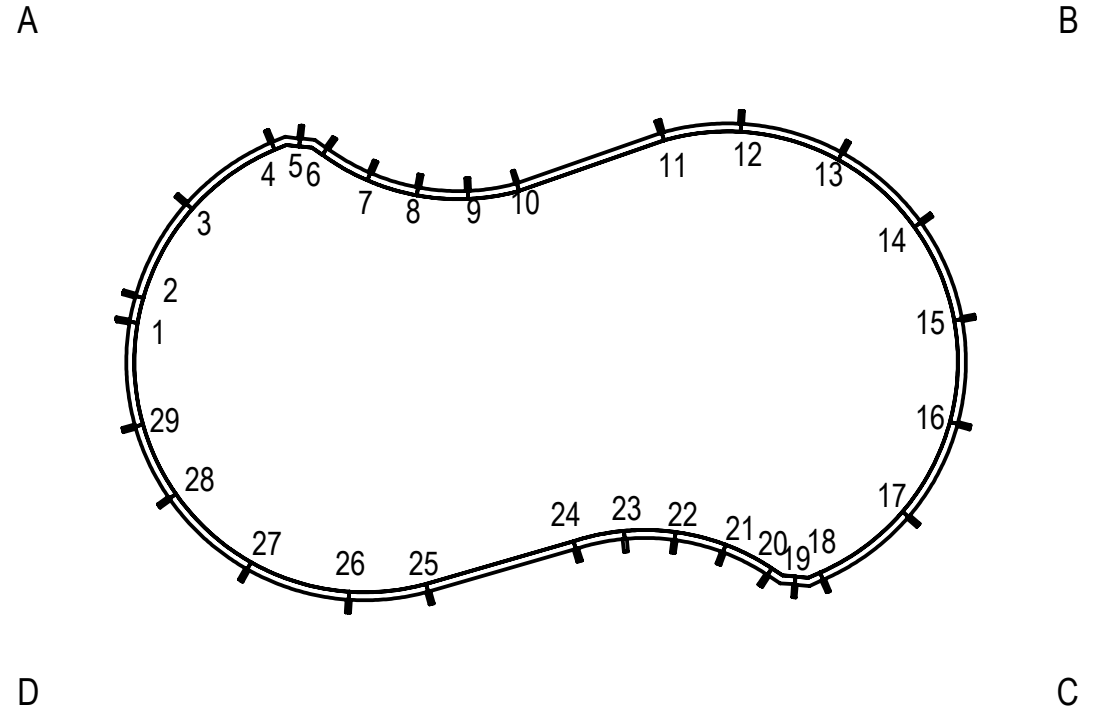


A-S1	28'-2 1/4"
B-S1	10'-8"
A-S2	34'-4 1/2"
B-S2	22'-6 1/2"
A-S3	11'- 3/4"
B-S3	28'-1 1/4"
A-S4	23'-3 1/4"
B-S4	34'-9 1/4"
A-S5	21'-1 1/4"
B-S5	19'-4 3/4"
A-S6	21'-1 1/4"
B-S6	19'-4 3/4"
A-S7	19'-5 3/4"
B-S7	21'-2 1/2"
A-S8	25'-2 1/4"
B-S8	26'-6 1/2"

ENGINEERING DRAWING NUMBER: 00005002	WEIGHT:	UNLESS OTHERWISE SPECIFIED DIMENSIONS ARE IN INCHES TOLERANCES DECIMALS: X ± 0.1 XX ± 0.01 XXX ± 0.005 XXXX ± 0.0005 ANGULAR: X ± 0.5 THIRD ANGLE PROJECTION	DESIGNED BY:	CREATION DATE:	HYDRA POOLS LAYOUT, 18' X 32'-2", BAHAMA, 6' DEEP, 500 SERIES	
	lbs		RCOLBOCH	10/30/2013		
	VOLUME:		DETAILED BY:	DETAILED DATE:		
	Inch ³		JBOSSERDET	10/5/2012		
	COLOR:		LAST REVISED BY:	LAST REVISED DATE:		
NA	jbosserdet	1/23/2015	PART NUMBER:	50901	SCALE:	SIZE:
HEAT TREAT:	MATERIAL:				1:128	A
NA					3 OF 6	
FINISH:						
TEXTURE:						
NA						

	A	B	C	D
1	10'-11 1/4"	36'-7"	37'-6 3/4"	13'-10 1/2"
2	10'-1"	36'-1 1/4"	37'-8 1/2"	14'-10 1/2"
3	8'-0"	33'-5 1/2"	37'-6"	18'-8 3/4"
4	9'-3 1/4"	29'-11"	35'-11 1/2"	21'-11 3/4"
5	10'-1 1/4"	28'-11 1/2"	35'-3"	22'-6"
6	11'- 3/4"	28'-1 1/4"	34'-3 3/4"	22'-7 1/4"
7	13'- 3/4"	26'-6 1/4"	32'-3 3/4"	22'-7 1/4"
8	15'- 3/4"	24'-9"	30'-5"	23'-2 3/4"
9	17'-0"	22'-10"	28'-9"	24'-4 1/2"
10	18'-9 3/4"	20'-10"	27'-5 1/2"	25'-11 1/2"
11	23'-11 1/4"	14'-10 1/4"	25'-2 3/4"	31'-5 1/4"
12	26'-10 1/4"	11'-10 1/2"	23'-11"	33'-11 1/4"
13	30'-9 1/4"	8'-8 1/2"	21'-3 3/4"	36'-5"
14	34'-1 3/4"	8'-2 1/2"	17'-10 3/4"	37'-8"
15	36'-6 1/2"	10'-10 1/4"	13'-11 3/4"	37'-7"
16	37'-8 1/4"	14'-8 3/4"	10'-2 1/2"	36'-2"
17	37'-6 1/4"	18'-7"	8'- 1/4"	33'-7"
18	36'- 1/4"	21'-11"	9'-2 1/4"	30'- 1/4"
19	35'-3 3/4"	22'-5"	10'- 1/4"	29'- 3/4"
20	34'-4 1/2"	22'-6 1/2"	10'-11 3/4"	28'-2 1/4"
21	32'-4 1/2"	22'-7 1/2"	13'-0"	26'-6 1/2"
22	30'-6 1/4"	23'-4"	15'- 1/4"	24'-8 3/4"
23	28'-11"	24'-6 3/4"	16'-11"	22'-9 1/4"
24	27'-8 1/4"	26'-2 1/2"	18'-8 1/2"	20'-8 3/4"
25	25'-2 1/4"	31'-6 1/4"	24'- 1/4"	14'-9 1/4"
26	23'-10 1/2"	34'- 1/4"	26'-11 1/4"	11'-9 1/2"
27	21'-2 3/4"	36'-5 3/4"	30'-10 3/4"	8'-7 3/4"
28	17'-9 1/4"	37'-8 1/4"	34'-2 3/4"	8'-3"
29	14'-10"	37'-8 1/2"	36'-1 1/2"	10'-1 1/2"

A-B	38'-2"
B-C	24'-0"
A-C	45'-1"

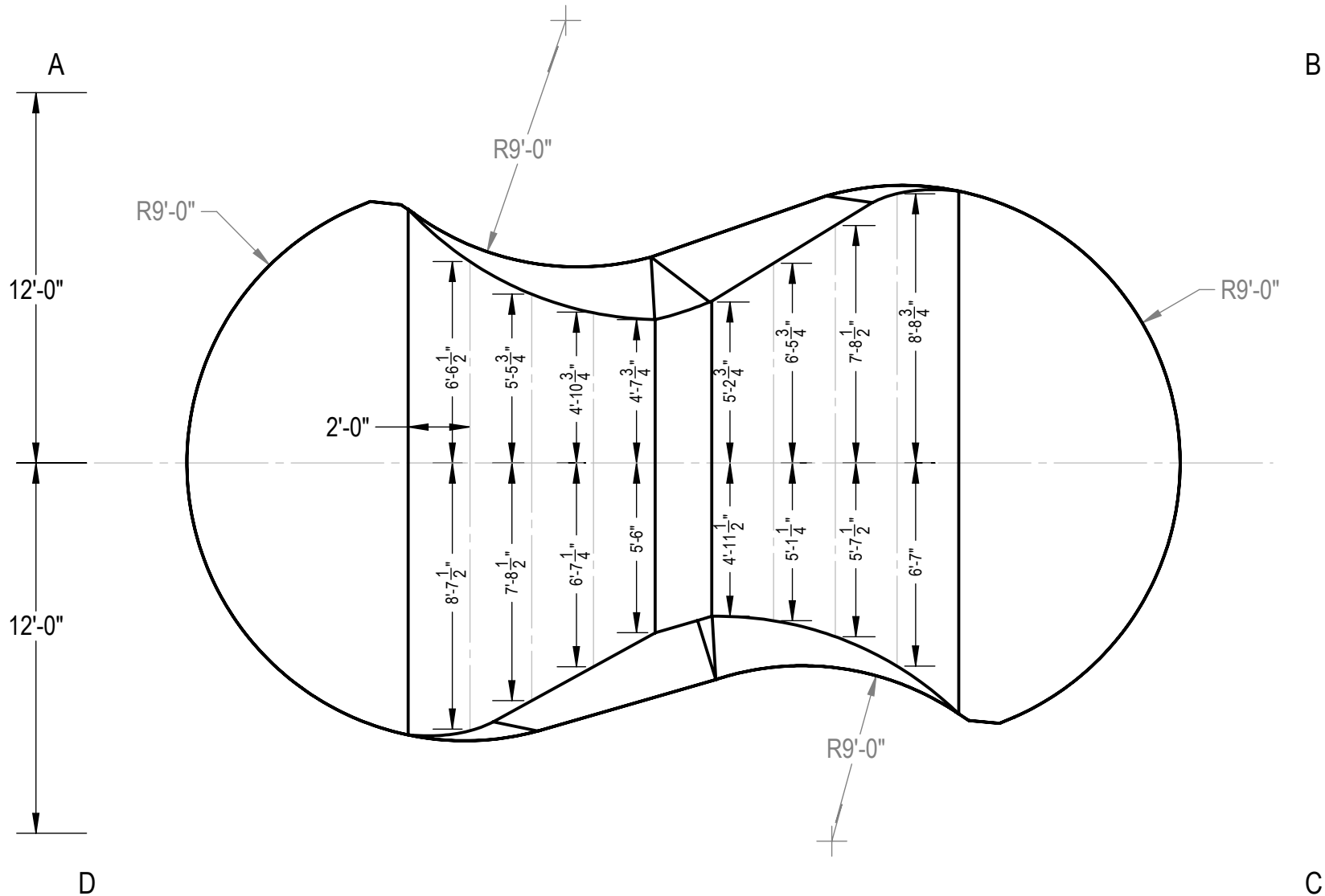


ENGINEERING DRAWING NUMBER:
00005002

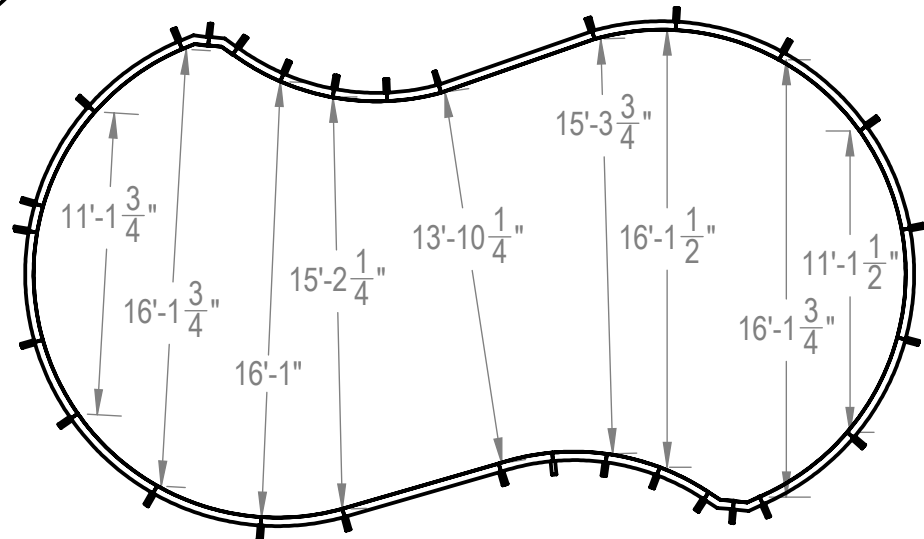
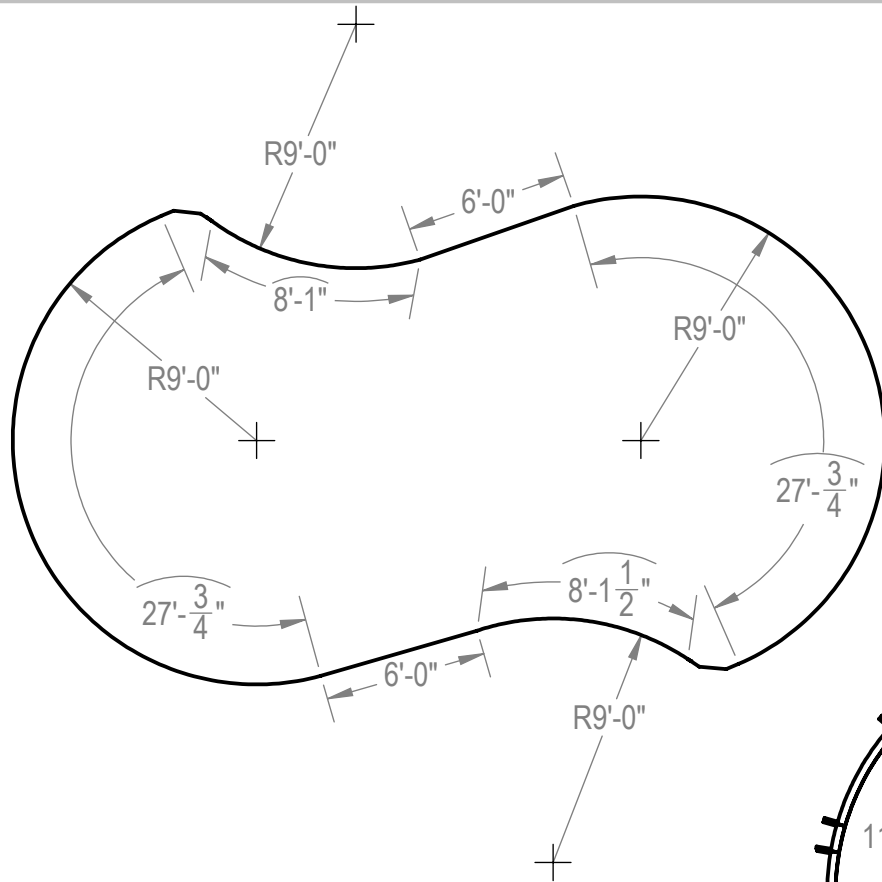
WEIGHT:	UNLESS OTHERWISE SPECIFIED DIMENSIONS ARE IN INCHES TOLERANCES DECIMALS: X ± 0.1 XX ± 0.01 XXX ± 0.005 XXXX ± 0.0005 ANGULAR: X ± 0.5 THIRD ANGLE PROJECTION
lbs	
VOLUME:	
Inch ³	
COLOR:	
HEAT TREAT:	
NA	
FINISH:	
TEXTURE:	
NA	

DESIGNED BY:	RCOLBOCH
CREATION DATE:	10/30/2013
DETAILED BY:	JBOSSERDET
DETAILED DATE:	10/5/2012
LAST REVISED BY:	jbosserdet
LAST REVISED DATE:	1/23/2015
MATERIAL:	

HYDRA POOLS	
LAYOUT, 18' X 32'-2", BAHAMA, 6' DEEP, 500 SERIES	
PART NUMBER:	50901
SCALE:	1:128
SHEET:	4 OF 6
SIZE:	A



ENGINEERING DRAWING NUMBER: 00005002	WEIGHT:	UNLESS OTHERWISE SPECIFIED DIMENSIONS ARE IN INCHES TOLERANCES DECIMALS: X ± 0.1 XX ± 0.01 XXX ± 0.005 XXXX ± 0.0005 ANGULAR: X ± 0.5 THIRD ANGLE PROJECTION	DESIGNED BY:	CREATION DATE:	HYDRA POOLS LAYOUT, 18' X 32'-2", BAHAMA, 6' DEEP, 500 SERIES
	lbs		RCOLBOCH	10/30/2013	
	VOLUME:		DETAILED BY:	DETAILED DATE:	
	Inch ³		JBOSSERDET	10/5/2012	PART NUMBER: <div style="font-size: 2em; font-weight: bold; text-align: center;">50901</div>
	COLOR:		LAST REVISED BY:	LAST REVISED DATE:	
	NA		jbosserdet	1/23/2015	
HEAT TREAT:	MATERIAL:		SCALE: 1:128	SIZE: A	
NA			SHEET: 5 OF 6		
FINISH:					
TEXTURE:					
NA					



ENGINEERING DRAWING NUMBER: 00005002	WEIGHT:	UNLESS OTHERWISE SPECIFIED DIMENSIONS ARE IN INCHES TOLERANCES DECIMALS: X ± 0.1 XX ± 0.01 XXX ± 0.005 XXXX ± 0.0005 ANGULAR: X ± 0.5 THIRD ANGLE PROJECTION	DESIGNED BY:	CREATION DATE:	HYDRA POOLS LAYOUT, 18' X 32'-2", BAHAMA, 6' DEEP, 500 SERIES
	lbs		RCOLBOCH	10/30/2013	
	VOLUME:		DETAILED BY:	DETAILED DATE:	
	Inch ³		JBOSSERDET	10/5/2012	
	COLOR:		LAST REVISED BY:	LAST REVISED DATE:	
	NA		jbosserdet	1/23/2015	
HEAT TREAT:	MATERIAL:	PART NUMBER:	SCALE:	SIZE:	
NA		50901	1:128	A	
FINISH:			SHEET:		
TEXTURE:			6 OF 6		
NA					