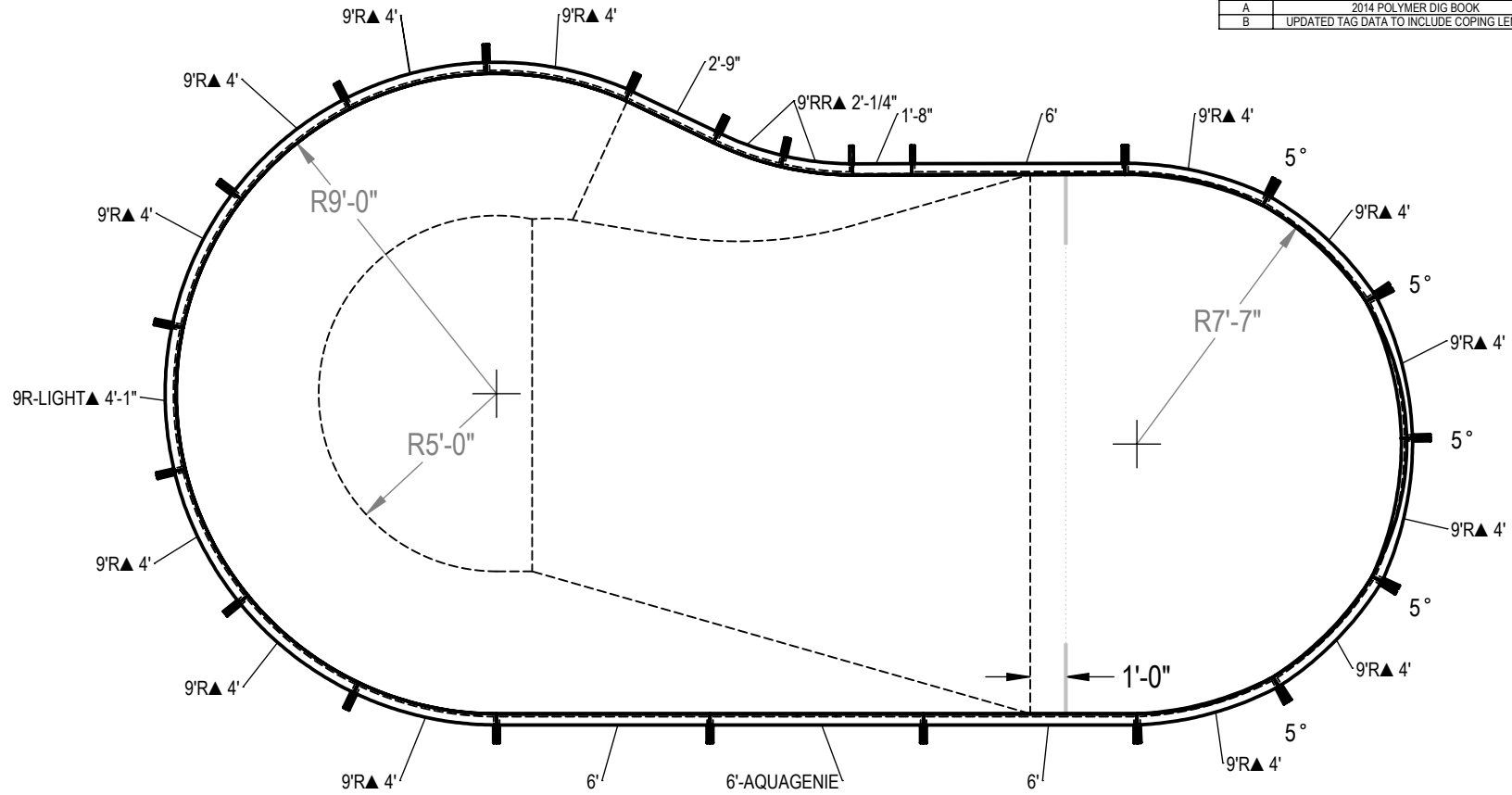


REVISION HISTORY				
REV.	DESCRIPTION	DATE	ECO	BY
A	2014 POLYMER DIG BOOK	01/02/14	NONE	THARKENRIDER
B	UPDATED TAG DATA TO INCLUDE COPING LENGTHS.	1/23/2015	391702	JBOSSEDET



NOTES:

- THESE ARE FINISHED DIMENSIONS READY FOR THE LINER.
- DIMENSIONS ARE FROM INSIDE POOL PANELS.
- THE IDEAL WATER LEVEL SHOULD BE TO THE MIDDLE OF THE SKIMMER OPENING(S).

EXCAVATION NOTES:

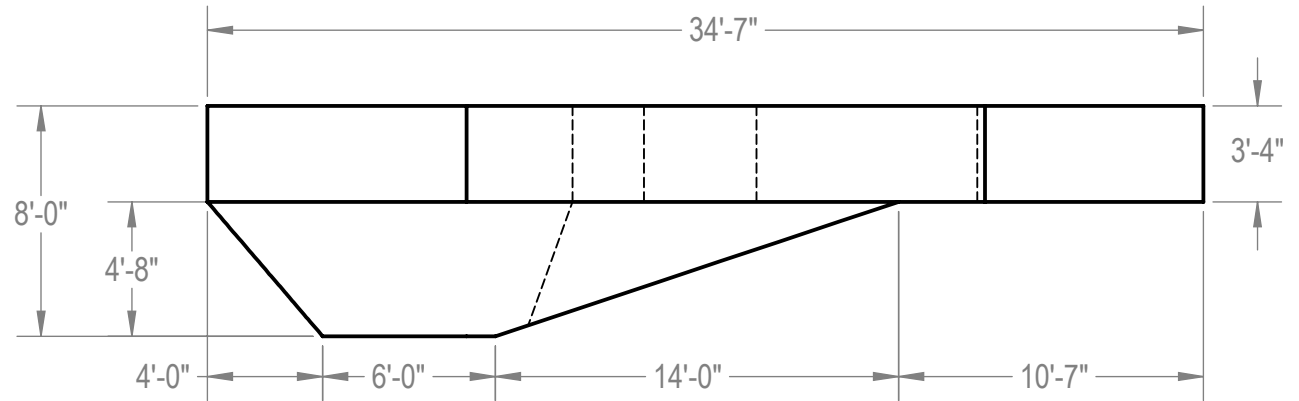
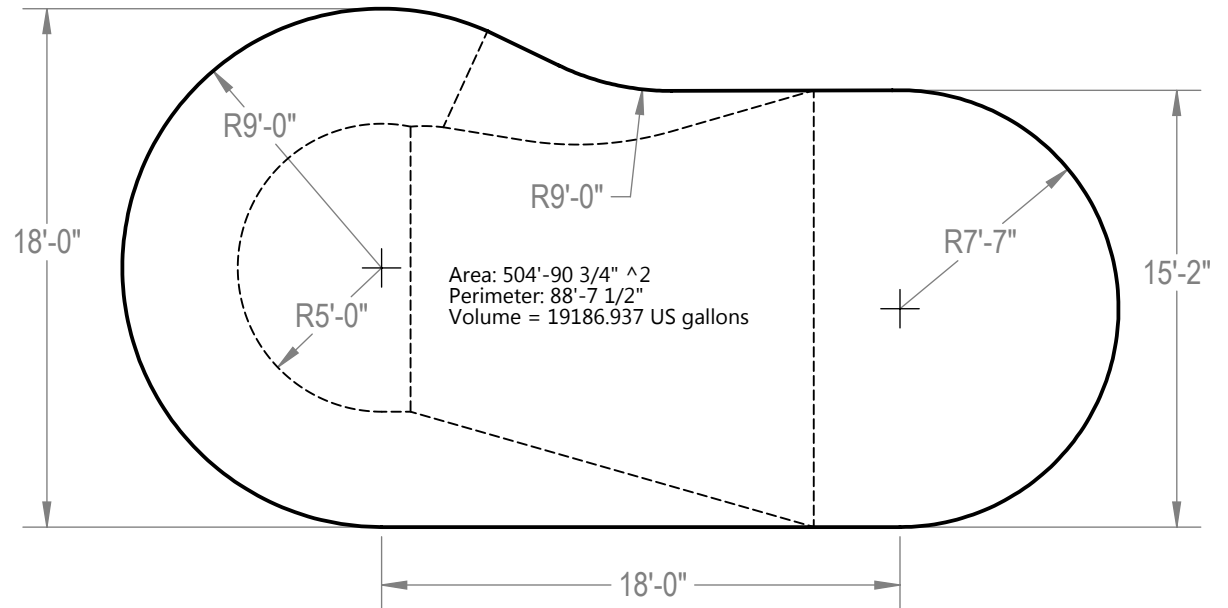
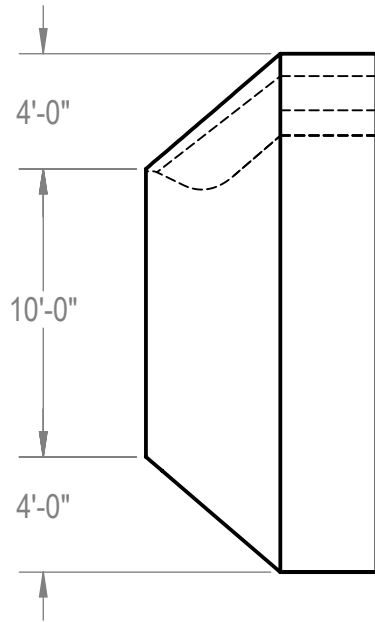
- ROUGH EXCAVATION SHOULD BE 2" DEEPER IN EACH INSTANCE.
- SOIL TO HAVE MINIMUM BEARING CAPACITY OF 1500 PSF.
- LOCATE TOP OF POOL AT LEAST 6" ABOVE THE SURROUNDING LAND ELEVATION.
- SEE "OVER DIG DETAIL" FOR EXCAVATION AROUND POOL.
- FILL VOIDS UNDER BASE OF PANELS AND TAMP WELL.
- BACK FILL WITH NON-EXPANSIVE MATERIAL.
- ANSI / APSP / ICC-6 FOR RESIDENTIAL POOLS, 2003-2007 BOCA CODE SECTION 421.

IMPORTANT NOTES:

- THIS DOCUMENT IS FOR ILLUSTRATIVE PURPOSES ONLY. THE DEALER OR CONTRACTOR WHO SELLS OR INSTALLS YOUR POOL IS AN INDEPENDENT CONTRACTOR AND IS NOT AN AGENT OF THE MANUFACTURER. THE CONSTRUCTION METHODS ILLUSTRATED HERE ARE SUGGESTIONS AND APPLY ONLY TO NORMAL GROUND CONDITIONS. THERE MAY BE ADDITIONAL PRECAUTIONS AND/OR METHODS OF CONSTRUCTION. PROPER INSTALLATION IS THE RESPONSIBILITY OF THE DEALER/BUILDER/CONTRACTOR.

ITEM	FILE NAME	DESCRIPTION	CUSTOMER DRAWING #	VENDOR PART #	QTY.	VENDOR NAME	MATERIAL
1	BRACE	BRACE, 5 TAB, TRANQUILITY - 500 SERIES	HP599	HP599	22	HYDRA POOLS	PS
2	INSERT, 5° WEDGE	INSERT, 5° WEDGE	HP226	HP226	5	HYDRA POOLS, IA	PP Homopolymer
3	PANEL, 1'-8 IN LONG	PANEL, 1'-8" LONG - 500 SERIES	HP516	HP516	1	HYDRA POOLS	PS
4	PANEL, 2'-9 IN LONG	PANEL, 2'-9" LONG - 500 SERIES	HP517	HP517	1	HYDRA POOLS	PS
5	PANEL, 6' LONG	PANEL, 6' LONG - 500 SERIES	HP506	HP506	3	HYDRA POOLS	PS
6	PANEL, 6' LONG WITH AQUA GENIE	PANEL, 6' LONG WITH AQUA GENIE - 500 SERIES	HP506A	HP506A	1	HYDRA POOLS	PS
7	PANEL, 9' RADIUS WITH LIGHT	PANEL, 9' RADIUS WITH LIGHT - 500 SERIES	HP559LL	HP559LL	1	HYDRA POOLS	PS
8	PANEL, 9' RADIUS, 4' LONG	PANEL, 9' RADIUS, 4' LONG - 500 SERIES	HP559	HP559	13	HYDRA POOLS	PS
9	PANEL, 9' REVERSE RADIUS	PANEL, 9' REVERSE RADIUS - 500 SERIES	HP519N	HP519N	2	HYDRA POOLS	PS

ENGINEERING DRAWING NUMBER: 00004959	WEIGHT:	UNLESS OTHERWISE SPECIFIED DIMENSIONS ARE IN INCHES TOLERANCES DECIMALS: X ± .1 XX ± .01 XXX ± .001 XXXX ± .0005 ANGULAR: X ± 0.5 THIRD ANGLE PROJECTION	DESIGNED BY:	CREATION DATE:	HYDRA POOLS LAYOUT, 18' X 34'-7", KIDNEY, STRAIGHT WALL, RIGHT, 8' DEEP, 500 SERIES
	lbs		RCOLBOCH	7/16/2013	
	VOLUME:		DETAILED BY:	DETAILED DATE:	
	Inch ³		JBOSSEDET	10/5/2012	
COLOR:	LAST REVISED BY:	LAST REVISED DATE:	TITLE:		
NA	jbosserdet	1/23/2015			
HEAT TREAT:	MATERIAL:		PART NUMBER:	SCALE:	SIZE:
NA			50728	1:128	A
FINISH:				SHEET:	
NA				1 OF 6	
TEXTURE:					
NA					



NOTES:

1. THESE ARE FINISHED DIMENSIONS READY FOR THE LINER.
2. DIMENSIONS ARE FROM INSIDE POOL PANELS.
3. THE IDEAL WATER LEVER SHOULD BE TO THE MIDDLE OF THE SKIMMER OPENING(S).

EXCAVATION NOTES:

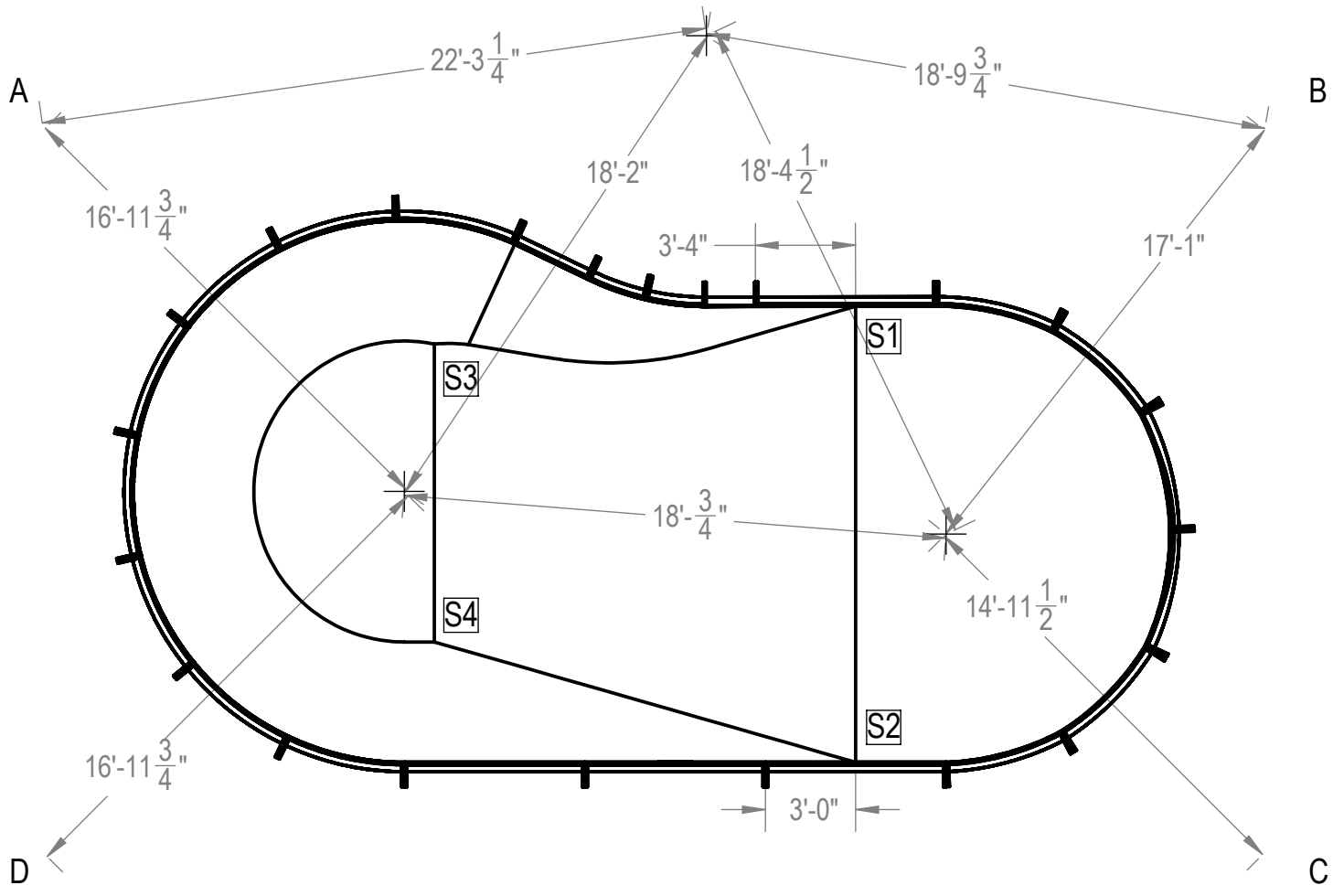
4. ROUGH EXCAVATION SHOULD BE 2" DEEPER IN EACH INSTANCE.
5. SOIL TO HAVE MINIMUM BEARING CAPACITY OF 1500 PSF.
6. LOCATE TOP OF POOL AT LEAST 6" ABOVE THE SURROUNDING LAND ELEVATION.
7. SEE "OVER DIG DETAIL" FOR EXCAVATION AROUND POOL.
8. FILL VOIDS UNDER BASE OF PANELS AND TAMP WELL.
9. BACK FILL WITH NON-EXPANSIVE MATERIAL.
10. ANSI / APSP / ICC-5 FOR RESIDENTIAL POOLS, 2003-2007 BOCA CODE SECTION 421.

IMPORTANT NOTES:

11. THIS DOCUMENT IS FOR ILLUSTRATIVE PURPOSES ONLY. THE DEALER OR CONTRACTOR WHO SELLS OR INSTALLS YOUR POOL IS AN INDEPENDENT CONTRACTOR AND IS NOT AN AGENT OF THE MANUFACTURER. THE CONSTRUCTION METHODS ILLUSTRATED HERE ARE SUGGESTIONS AND APPLY ONLY TO NORMAL GROUND CONDITIONS. THERE MAY BE ADDITIONAL PRECAUTIONS AND/OR METHODS OF CONSTRUCTION. PROPER INSTALLATION IS THE RESPONSIBILITY OF THE DEALER/BUILDER/CONTRACTOR.

ENGINEERING DRAWING NUMBER: 00004959	WEIGHT: 160122.707 lbs VOLUME: 4432182.517 Inch ³	UNLESS OTHERWISE SPECIFIED DIMENSIONS ARE IN INCHES TOLERANCES DECIMALS: X ± .1 XX ± .01 XXX ± .001 XXXX ± .0005 ANGULAR: X ± 0.5 THIRD ANGLE PROJECTION	DESIGNED BY: THARKENRIDER CREATION DATE: 12/23/2013	HYDRA POOLS	
	COLOR: NA HEAT TREAT: NA FINISH: NA TEXTURE: NA		DETAILED BY: JBOSSERDET DETAILED DATE: 10/5/2012		
	MATERIAL: Water		LAST REVISED BY: jbosserdet LAST REVISED DATE: 1/23/2015	TITLE: LAYOUT, 18' X 34'-7", KIDNEY, STRAIGHT WALL, RIGHT, 8' DEEP, 500 SERIES	
	PART NUMBER: <div style="font-size: 2em; font-weight: bold; text-align: center;">50728</div>			SCALE: 1:128 SHEET: 2 OF 6	SIZE: <div style="font-size: 2em; font-weight: bold; text-align: center;">A</div>

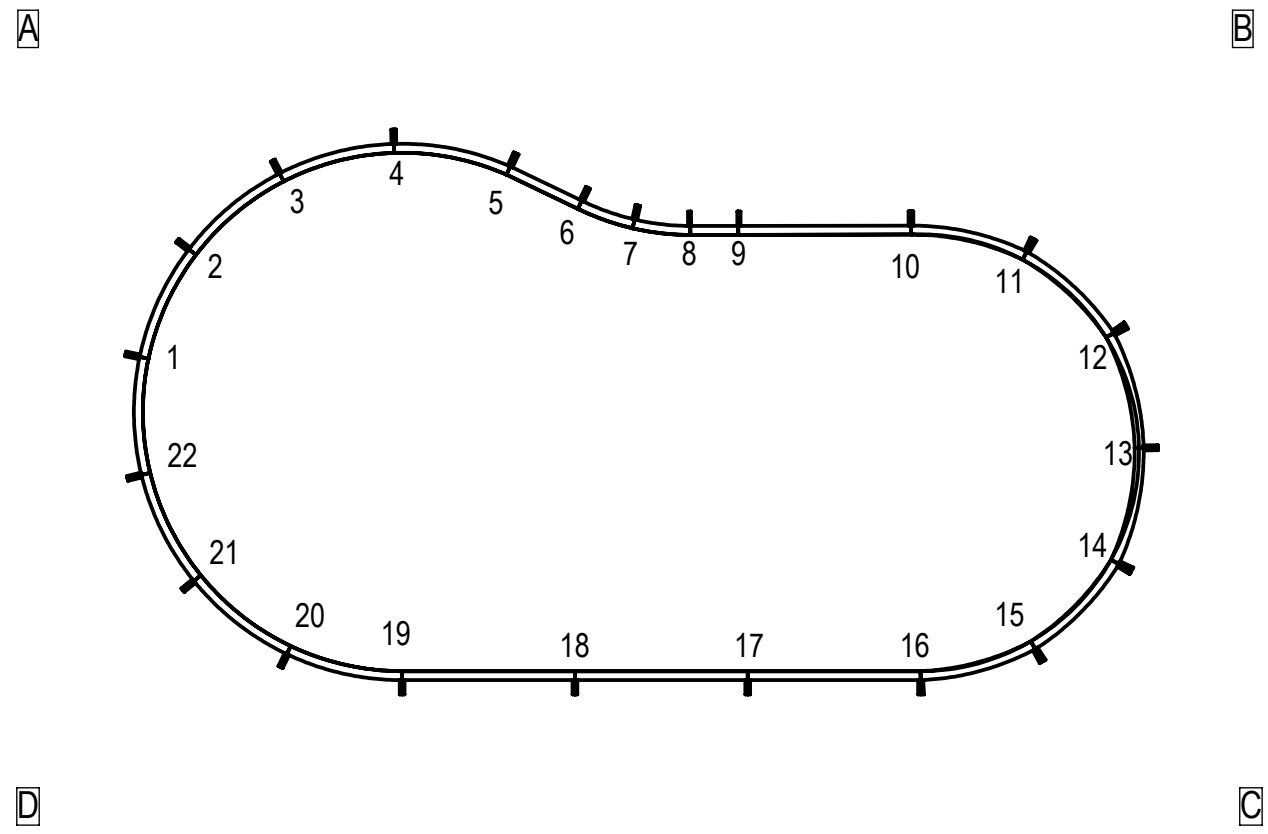
A-S1	27'-7 1/2"
B-S1	14'-9 1/2"
A-S2	34'-2 1/2"
B-S2	25'- 1/4"
A-S3	14'-9 3/4"
B-S3	28'-5 3/4"
A-S4	21'-4 3/4"
B-S4	32'-4 3/4"



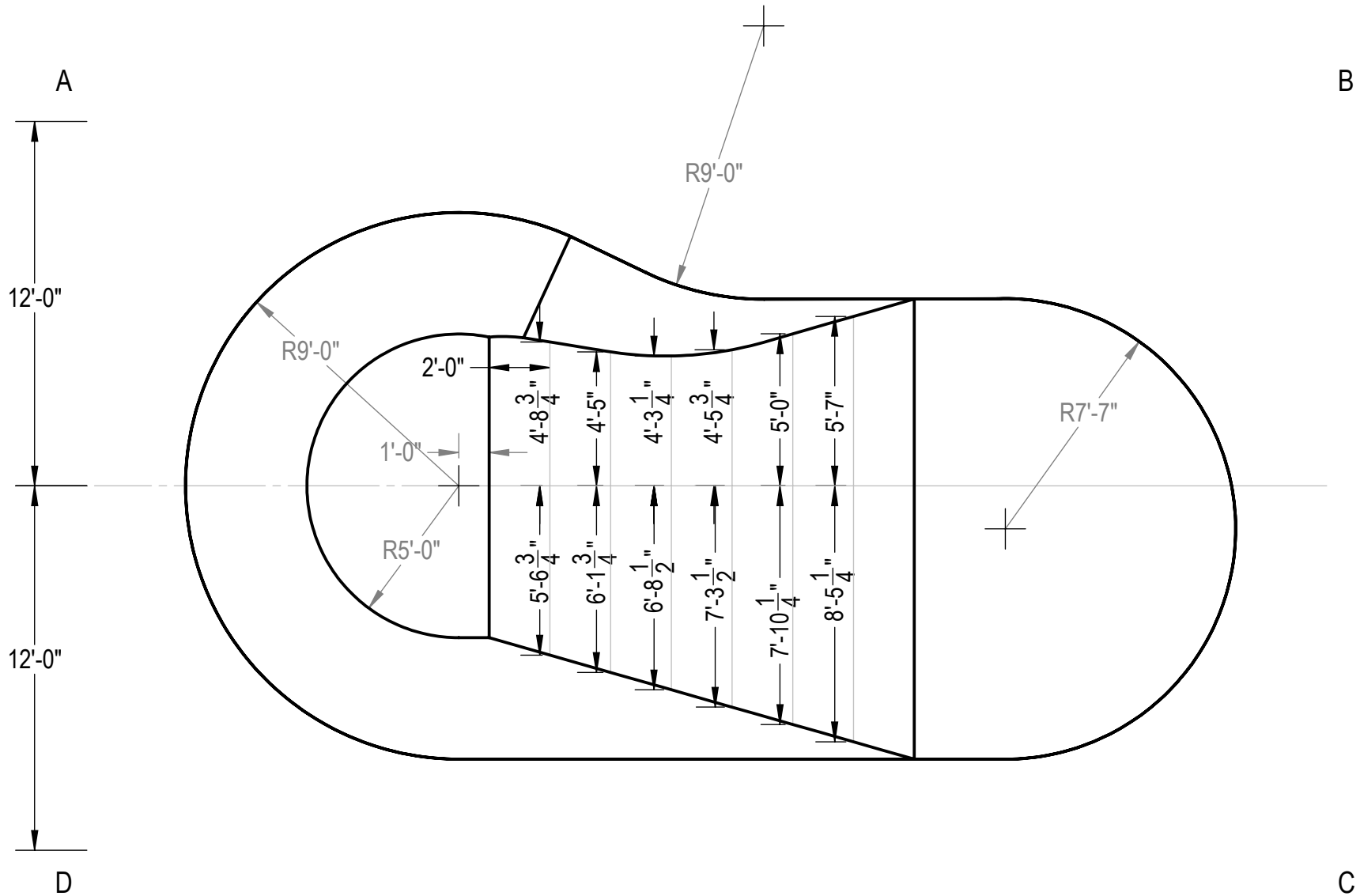
ENGINEERING DRAWING NUMBER: 00004959	WEIGHT:	UNLESS OTHERWISE SPECIFIED DIMENSIONS ARE IN INCHES TOLERANCES DECIMALS: X ± 0.1 XX ± 0.01 XXX ± 0.005 XXXX ± 0.0005 ANGULAR: X ± 0.5 THIRD ANGLE PROJECTION	DESIGNED BY:	CREATION DATE:	HYDRA POOLS LAYOUT, 18' X 34'-7", KIDNEY, STRAIGHT WALL, RIGHT, 8' DEEP, 500 SERIES
	lbs		RCOLBOCH	7/16/2013	
	VOLUME:		DETAILED BY:	DETAILED DATE:	
	Inch ³		JBOSSERDET	10/5/2012	
	COLOR:		LAST REVISED BY:	LAST REVISED DATE:	
	NA		jbosserdet	1/23/2015	
HEAT TREAT:	MATERIAL:	TITLE:			
NA					
FINISH:		PART NUMBER:			
NA		50728			
TEXTURE:		SCALE:			
NA		1:128			
		SHEET:			
		3 OF 6			
		SIZE:			
		A			


	A	B	C	D
1	10'-7 3/4"	38'-9"	39'-10 1/2"	14'-2 1/2"
2	8'-1 3/4"	36'-4"	39'-9 1/4"	18'-1 1/2"
3	8'-10"	32'-11 1/4"	38'-4"	21'-6"
4	12'-1 1/4"	29'- 1/4"	35'-8 1/4"	24'- 1/2"
5	16'-1 1/2"	25'-2 1/2"	32'-1"	25'-7"
6	18'-9 3/4"	22'-11 3/4"	29'-5"	26'-3 1/2"
7	20'-9 1/4"	21'-4"	27'-7 1/4"	27'-2"
8	22'-10"	19'-5 1/4"	25'-11 1/4"	28'-6 3/4"
9	24'-4 1/2"	17'-10 3/4"	24'-9 3/4"	29'-10"
10	30'-3 1/2"	12'-4"	21'-2"	34'-10"
11	34'-2 1/2"	9'-8 3/4"	18'-8"	37'-8 3/4"
12	37'-7 3/4"	10'-3 1/2"	15'-2"	39'-3"
13	39'-8 1/2"	13'-7 1/2"	11'-2 1/4"	38'-11 1/4"
14	40'-5"	17'-7"	7'-11 1/4"	37'-3"
15	39'-3 1/4"	21'-1"	7'-10 1/2"	34'- 3/4"
16	36'-7 1/2"	23'-6 1/4"	11'-0"	30'-1 3/4"
17	31'-10 3/4"	26'-9"	16'-10 1/4"	24'-2 1/4"
18	27'-8"	30'-10"	22'-9 1/2"	18'-3"
19	24'-2 1/4"	35'-5 3/4"	28'-9"	12'-4 1/2"
20	21'-8 1/2"	38'-2 1/4"	32'-8 1/4"	9'-0"
21	18'-4 1/2"	39'-8 3/4"	36'-1 1/2"	8'- 3/4"
22	14'-5 3/4"	39'-11"	38'-7 1/2"	10'-4 3/4"

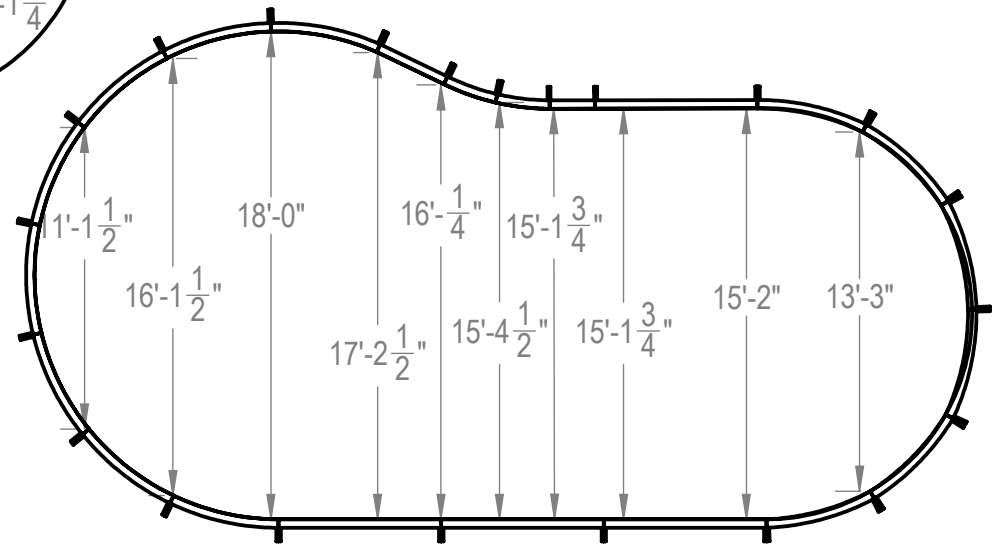
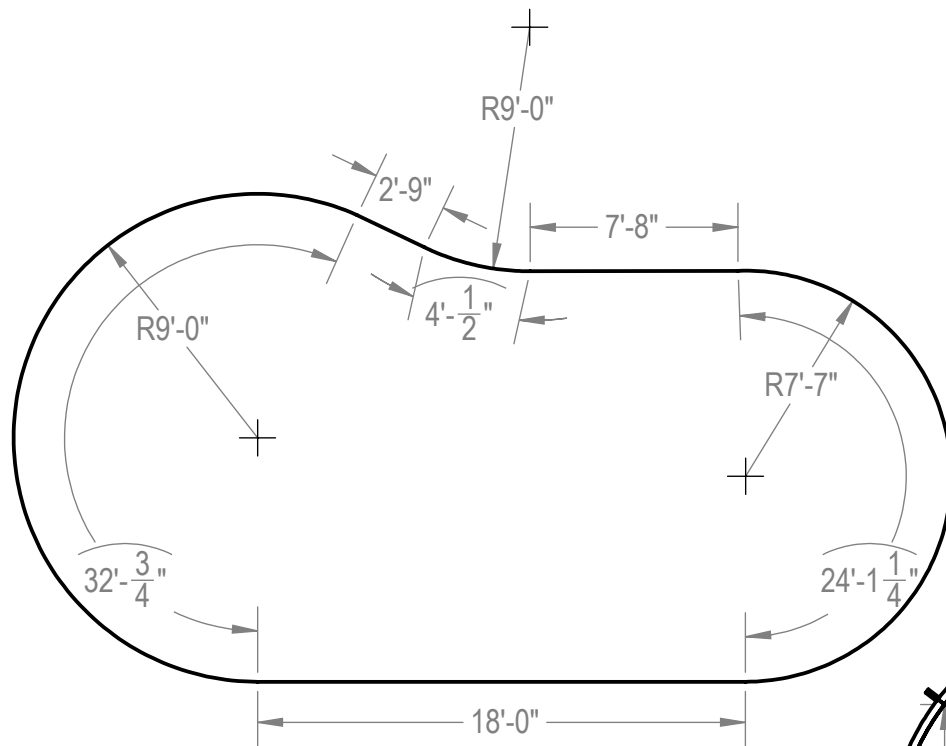
A-B	40'-7"
B-C	24'-0"
A-C	47'-1 3/4"



ENGINEERING DRAWING NUMBER: 00004959	WEIGHT:	UNLESS OTHERWISE SPECIFIED DIMENSIONS ARE IN INCHES TOLERANCES DECIMALS: X ± 0.1 XX ± 0.01 XXX ± 0.005 XXXX ± 0.0005 ANGULAR: X ± 0.5 THIRD ANGLE PROJECTION	DESIGNED BY:	CREATION DATE:	HYDRA POOLS LAYOUT, 18' X 34'-7", KIDNEY, STRAIGHT WALL, RIGHT, 8' DEEP, 500 SERIES
	lbs		RCOLBOCH	7/16/2013	
	VOLUME:		DETAILED BY:	DETAILED DATE:	
	Inch ³		JBOSSERDET	10/5/2012	
	COLOR:		LAST REVISED BY:	LAST REVISED DATE:	
NA	jbosserdet	1/23/2015	TITLE:		
HEAT TREAT:	MATERIAL:		PART NUMBER:	SCALE:	SIZE:
NA			50728	1:128	A
FINISH:				SHEET:	
NA				4 OF 6	
TEXTURE:					
NA					



ENGINEERING DRAWING NUMBER: 00004959	WEIGHT: 160122.707 lbs	UNLESS OTHERWISE SPECIFIED DIMENSIONS ARE IN INCHES TOLERANCES DECIMALS: X ± 0.1 XX ± 0.01 XXX ± 0.005 XXXX ± 0.0005 ANGULAR: X ± 0.5 THIRD ANGLE PROJECTION 	DESIGNED BY: THARKENRIDER	CREATION DATE: 12/23/2013	HYDRA POOLS LAYOUT, 18' X 34'-7", KIDNEY, STRAIGHT WALL, RIGHT, 8' DEEP, 500 SERIES
	VOLUME: 4432182.517 Inch ³		DETAILED BY: JBOSSERDET	DETAILED DATE: 10/5/2012	
	COLOR: NA		LAST REVISED BY: jbosserdet	LAST REVISED DATE: 1/23/2015	
	HEAT TREAT: NA		MATERIAL: Water	PART NUMBER: 50728	
	FINISH: NA		SCALE: 1:128	SIZE: A	
	TEXTURE: NA		SHEET: 5 OF 6		



ENGINEERING DRAWING NUMBER: 00004959	WEIGHT:	UNLESS OTHERWISE SPECIFIED DIMENSIONS ARE IN INCHES TOLERANCES DECIMALS: X ± 0.1 XX ± 0.01 XXX ± 0.005 XXXX ± 0.0005 ANGULAR: X ± 0.5 THIRD ANGLE PROJECTION	DESIGNED BY:	CREATION DATE:	HYDRA POOLS LAYOUT, 18' X 34'-7", KIDNEY, STRAIGHT WALL, RIGHT, 8' DEEP, 500 SERIES
	lbs		RCOLBOCH	7/16/2013	
	VOLUME:		DETAILED BY:	DETAILED DATE:	
	Inch ³		JBOSSERDET	10/5/2012	
	COLOR:		LAST REVISED BY:	LAST REVISED DATE:	
	NA		jbosserdet	1/23/2015	
HEAT TREAT:	MATERIAL:	PART NUMBER:	SCALE:	SIZE:	
NA		50728	1:128	A	
FINISH:			SHEET:		
NA			6 OF 6		
TEXTURE:					
NA					