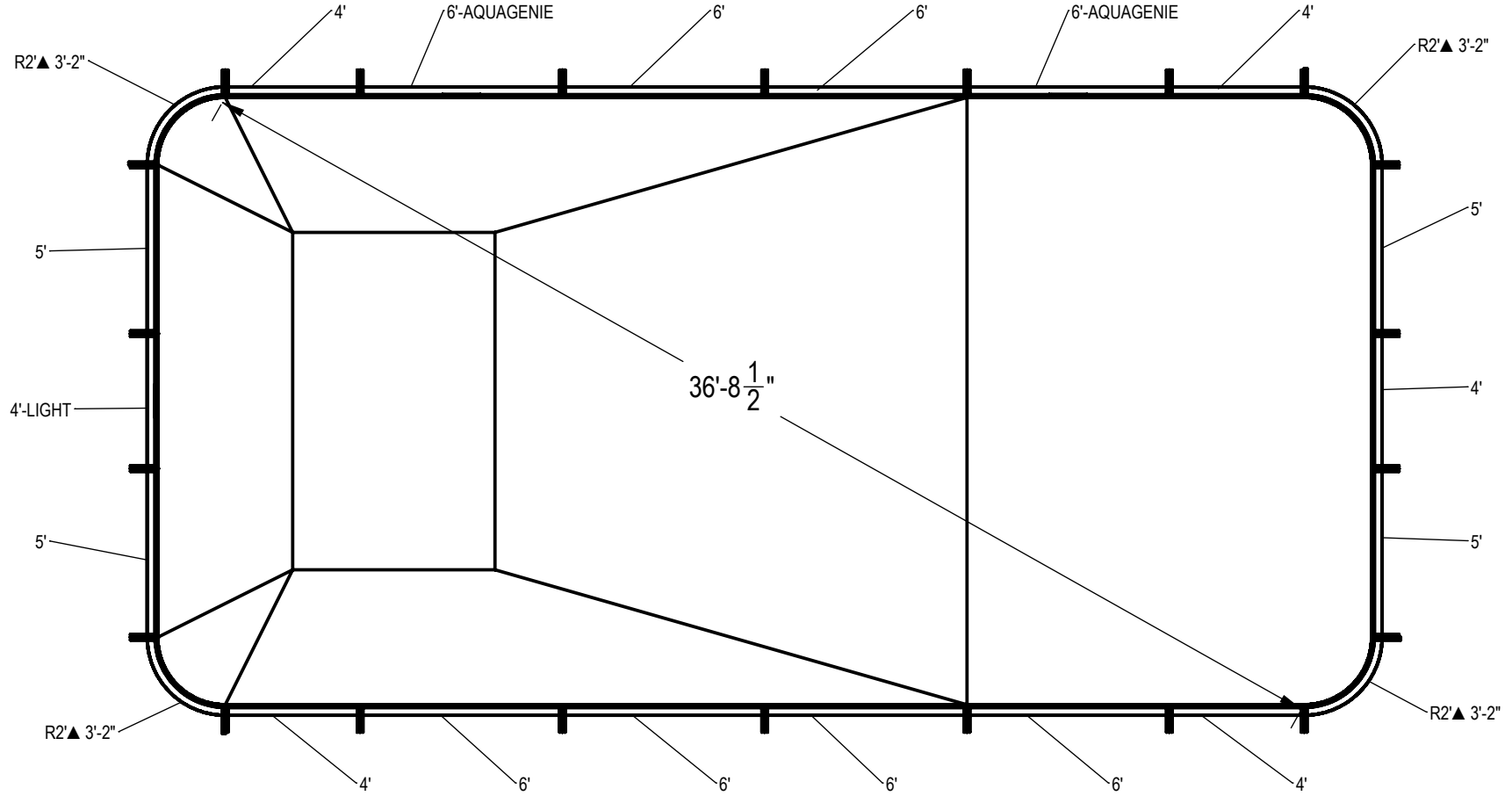


REVISION HISTORY				
REV.	DESCRIPTION	DATE	ECO	BY
B	ADDED AQUA GENIE	05/05/14	NONE	RCOLBOCH
C	UPDATED PART NUMBER ON PAGE 2	08/14/14	NONE	RCOLBOCH
D	UPDATED TAG DATA TO INCLUDE COPING LENGTHS.	1/5/2015	391702	JBOSSERDET



ITEM	FILE NAME	DESCRIPTION	CUSTOMER DRAWING #	VENDOR PART #	QTY.	VENDOR NAME	MATERIAL
1	BRACE	BRACE, 5 TAB, TRANQUILITY - 500 SERIES	HP599	HP599	22	HYDRA POOLS	PS
2	PANEL, 2' RADIUS	PANEL, 2' RADIUS - 500 SERIES	HP552M	HP552M	4	HYDRA POOLS	PS
3	PANEL, 4' LONG	PANEL, 4' LONG - 500 SERIES	HP504	HP504	5	HYDRA POOLS	PS
4	PANEL, 4' LONG WITH LIGHT	PANEL, 4' LONG WITH LIGHT - 500 SERIES	HP504L	HP504L	1	HYDRA POOLS	PS
5	PANEL, 5' LONG	PANEL, 5' LONG - 500 SERIES	HP505	HP505	4	HYDRA POOLS	PS
6	PANEL, 6' LONG	PANEL, 6' LONG - 500 SERIES	HP506	HP506	6	HYDRA POOLS	PS
7	PANEL, 6' LONG WITH AQUA GENIE	PANEL, 6' LONG WITH AQUA GENIE - 500 SERIES	HP506A	HP506A	2	HYDRA POOLS	PS

ENGINEERING DRAWING NUMBER:  
**00004319**

**UNLESS OTHERWISE SPECIFIED**  
DIMENSIONS ARE IN INCHES  
TOLERANCES  
DECIMALS: X ± 0.1  
              XX ± 0.01  
              XXX ± 0.005  
              XXXX ± 0.0005  
ANGULAR: X ± 0.5  
THIRD ANGLE PROJECTION

DESIGNED BY: RCOLBOCH  
CREATION DATE: 3/21/2013  
DETAILED BY: JBOSSERDET  
DETAILED DATE: 10/5/2012  
LAST REVISED BY: jbossdet  
LAST REVISED DATE: 1/5/2015  
MATERIAL:

**HYDRA POOLS**

**TITLE: LAYOUT, 18' X 36', RECTANGLE, 2' RADIUS, 6' DEEP, 500 SERIES**

PART NUMBER: **50143**

SCALE: 1:96  
SHEET: 1 OF 2

**A**

**NOTES:**

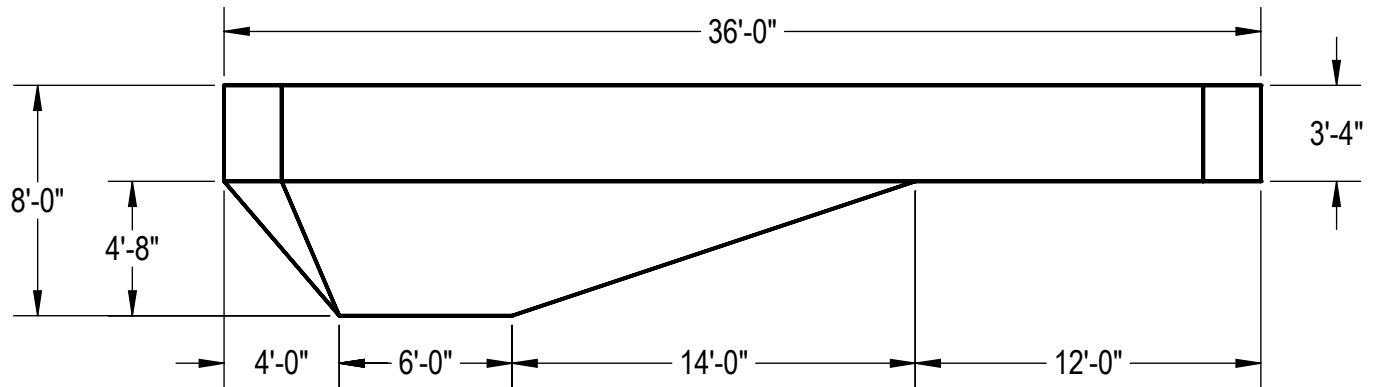
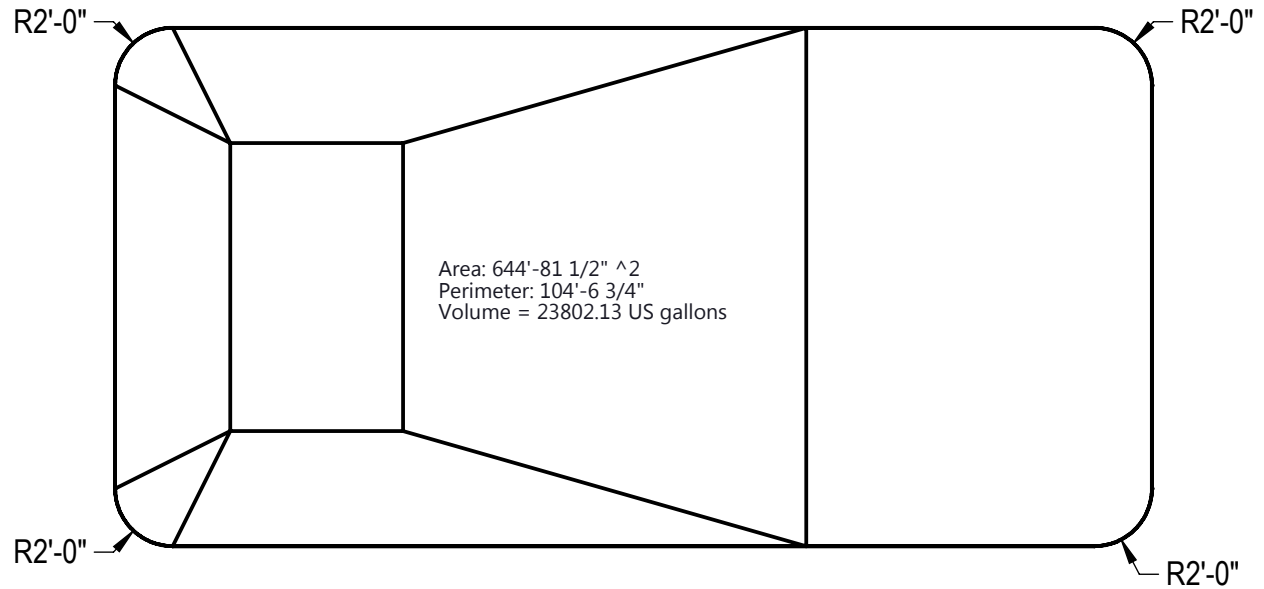
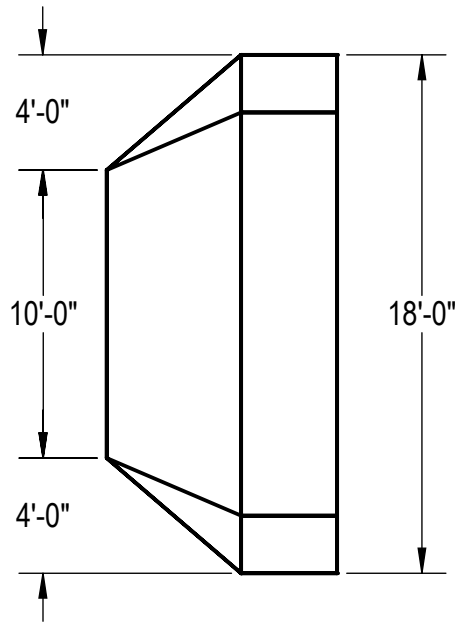
- THESE ARE FINISHED DIMENSIONS READY FOR THE LINER.
- DIMENSIONS ARE FROM INSIDE POOL PANELS.
- THE IDEAL WATER LEVEL SHOULD BE TO THE MIDDLE OF THE SKIMMER OPENING(S).

**EXCAVATION NOTES:**

- ROUGH EXCAVATION SHOULD BE 2' DEEPER IN EACH INSTANCE.
- SOIL TO HAVE MINIMUM BEARING CAPACITY OF 1500 PSF.
- LOCATE TOP OF POOL AT LEAST 6" ABOVE THE SURROUNDING LAND ELEVATION.
- SEE "OVER DIG DETAIL" FOR EXCAVATION AROUND POOL.
- FILL VOIDS UNDER BASE OF PANELS AND TAMP WELL.
- BACK FILL WITH NON-EXPANSIVE MATERIAL.
- ANSI / APSP / ICC-5 FOR RESIDENTIAL POOLS, 2003-2007 BOCA CODE SECTION 421.

**IMPORTANT NOTES:**

- THIS DOCUMENT IS FOR ILLUSTRATIVE PURPOSES ONLY. THE DEALER OR CONTRACTOR WHO SELLS OR INSTALLS YOUR POOL IS AN INDEPENDENT CONTRACTOR AND IS NOT AN AGENT OF THE MANUFACTURER. THE CONSTRUCTION METHODS ILLUSTRATED HERE ARE SUGGESTIONS AND APPLY ONLY TO NORMAL GROUND CONDITIONS. THERE MAY BE ADDITIONAL PRECAUTIONS AND/OR METHODS OF CONSTRUCTION. PROPER INSTALLATION IS THE RESPONSIBILITY OF THE DEALER/BUILDER/CONTRACTOR.



**NOTES:**

1. THESE ARE FINISHED DIMENSIONS READY FOR THE LINER.
2. DIMENSIONS ARE FROM INSIDE POOL PANELS.
3. THE IDEAL WATER LEVEL SHOULD BE TO THE MIDDLE OF THE SKIMMER OPENING(S).

**EXCAVATION NOTES:**

4. ROUGH EXCAVATION SHOULD BE 2" DEEPER IN EACH INSTANCE.
5. SOIL TO HAVE MINIMUM BEARING CAPACITY OF 1500 PSF.
6. LOCATE TOP OF POOL AT LEAST 6" ABOVE THE SURROUNDING LAND ELEVATION.
7. SEE "OVER DIG DETAIL" FOR EXCAVATION AROUND POOL.
8. FILL VOIDS UNDER BASE OF PANELS AND TAMP WELL.
9. BACK FILL WITH NON-EXPANSIVE MATERIAL.
10. ANSI / APSP / ICC-5 FOR RESIDENTIAL POOLS, 2003-2007 BOCA CODE SECTION 421.

**IMPORTANT NOTES:**

11. THIS DOCUMENT IS FOR ILLUSTRATIVE PURPOSES ONLY. THE DEALER OR CONTRACTOR WHO SELLS OR INSTALLS YOUR POOL IS AN INDEPENDENT CONTRACTOR AND IS NOT AN AGENT OF THE MANUFACTURER. THE CONSTRUCTION METHODS ILLUSTRATED HERE ARE SUGGESTIONS AND APPLY ONLY TO NORMAL GROUND CONDITIONS. THERE MAY BE ADDITIONAL PRECAUTIONS AND/OR METHODS OF CONSTRUCTION. PROPER INSTALLATION IS THE RESPONSIBILITY OF THE DEALER/BUILDER/CONTRACTOR.

ENGINEERING DRAWING NUMBER: <b>00004319</b>	WEIGHT: lbs	<b>UNLESS OTHERWISE SPECIFIED</b> DIMENSIONS ARE IN INCHES TOLERANCES DECIMALS: X ± .1 XX ± .01 XXX ± .001 XXXX ± .0005  ANGULAR: X ± 0.5 XXX ± 1.0	DESIGNED BY: RCOLBOCH	CREATION DATE: 3/18/2013	<b>HYDRA POOLS</b>	
	VOLUME: Inch <sup>3</sup>		DETAILED BY: JBOSSEDET	DETAILED DATE: 10/5/2012		
	COLOR: NA		LAST REVISED BY: jbossedet	LAST REVISED DATE: 1/5/2015	TITLE: <b>LAYOUT, 18' X 36', RECTANGLE, 2' RADIUS, 6' DEEP, 500 SERIES</b>	
	HEAT TREAT: NA		MATERIAL:			
FINISH: NA	Area: 644'-81 1/2" ^2 Perimeter: 104'-6 3/4"				SHEET: 2 OF 2	
TEXTURE: NA						