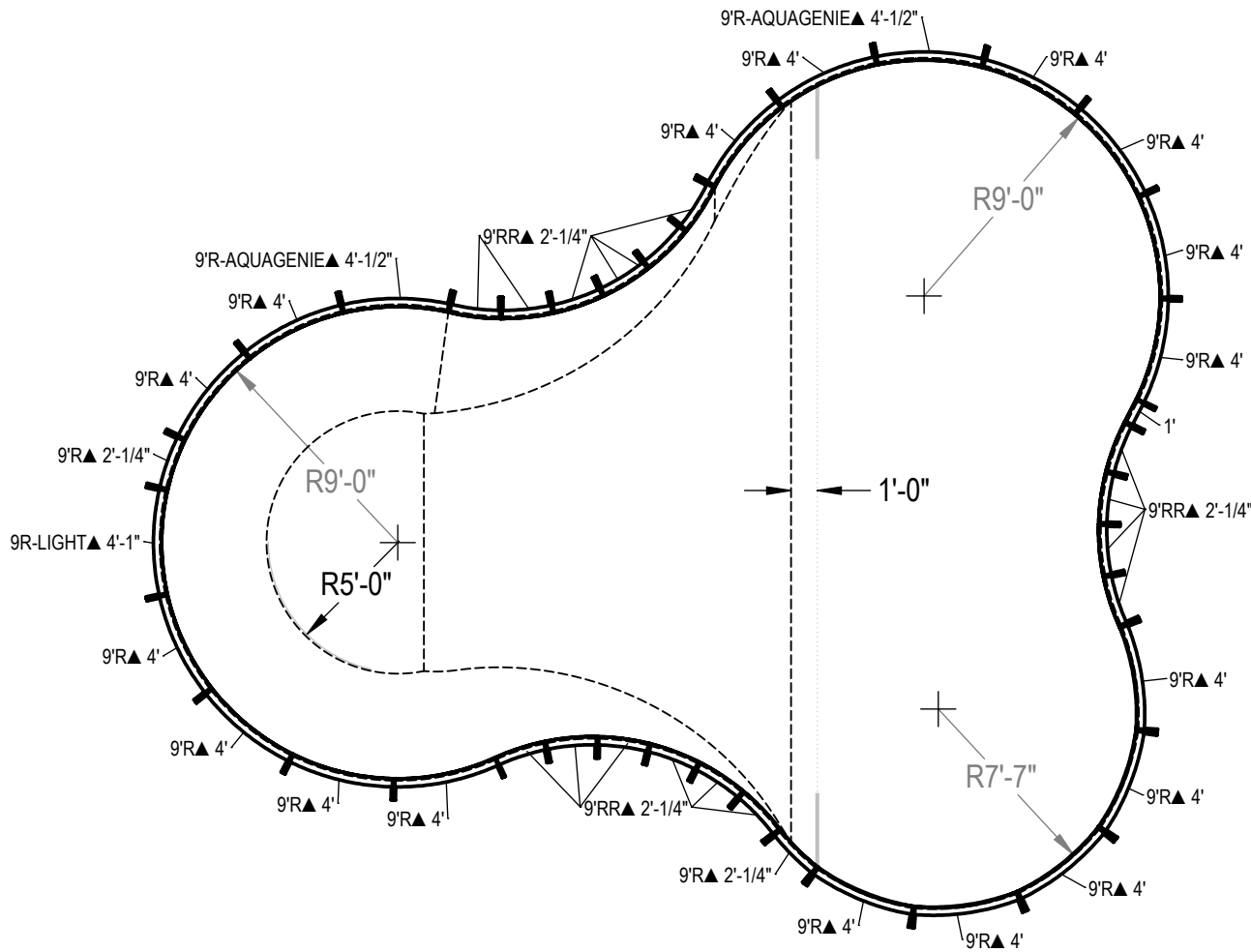


REVISION HISTORY				
REV.	DESCRIPTION	DATE	ECO	BY
A	2014 POLYMER DIG BOOK	01/10/14	NONE	THARKENRIDER
B	UPDATED TAG DATA TO INCLUDE COPING LENGTHS.	1/29/2015	391702	JBOSSERDET



ITEM	FILE NAME	DESCRIPTION	CUSTOMER DRAWING #	VENDOR PART #	QTY.	VENDOR NAME	MATERIAL
1	BRACE	BRACE, 4 TAB, HYDRA - 100 SERIES	HP199	HP199	39	HYDRA POOLS	PS
2	INSERT, 5° WEDGE	INSERT, 5° WEDGE	HP226	HP226	6	HYDRA POOLS, IA	PP Homopolymer
3	PANEL, 1' LONG	PANEL, 1' LONG - 100 SERIES	HP101	HP101	1	HYDRA POOLS	PS
4	PANEL, 9' RADIUS WITH AQUAGENIE	PANEL, 9' RADIUS WITH AQUAGENIE - 100 SERIES	HP159A	HP159A	2	HYDRA POOLS	PS
5	PANEL, 9' RADIUS WITH LIGHT	PANEL, 9' RADIUS WITH LIGHT - 100 SERIES	HP159LL	HP159LL	1	HYDRA POOLS	PS
6	PANEL, 9' RADIUS, 2' LONG	PANEL, 9' RADIUS, 2' LONG, INSERT OVAL - 100 SERIES	HP110	HP110	2	HYDRA POOLS	PS
7	PANEL, 9' RADIUS, 4' LONG	PANEL, 9' RADIUS, 4' LONG - 100 SERIES	HP159	HP159	17	HYDRA POOLS	PS
8	PANEL, 9' REVERSE RADIUS	PANEL, 9' REVERSE RADIUS - 100 SERIES	HP119N	HP119N	16	HYDRA POOLS	PS

NOTES:

- THESE ARE FINISHED DIMENSIONS READY FOR THE LINER.
- DIMENSIONS ARE FROM INSIDE POOL PANELS.
- THE IDEAL WATER LEVER SHOULD BE TO THE MIDDLE OF THE SKIMMER OPENING(S).

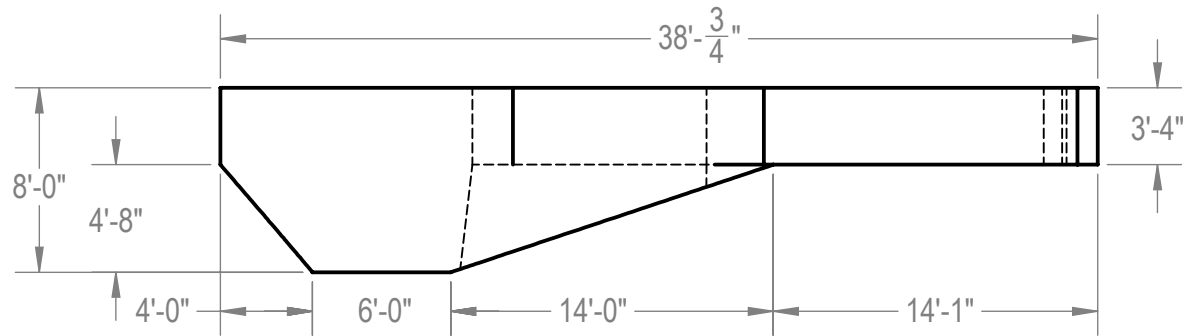
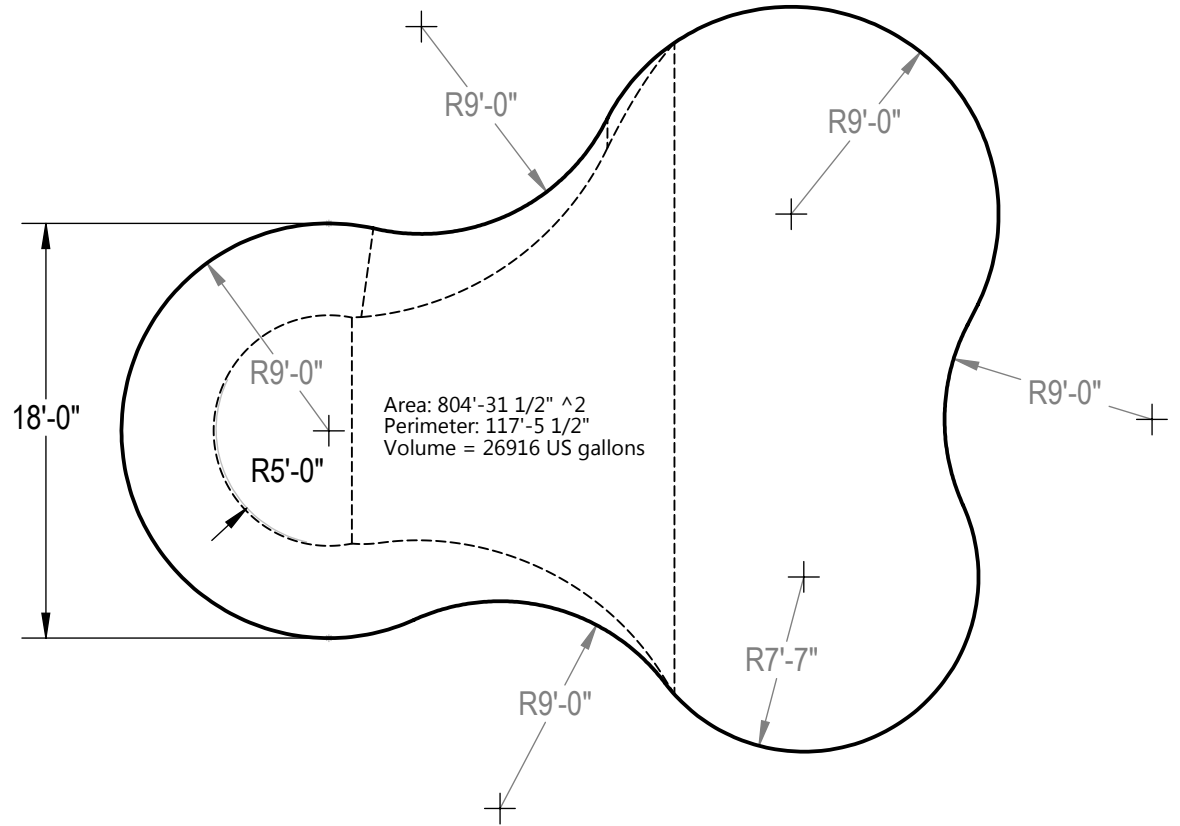
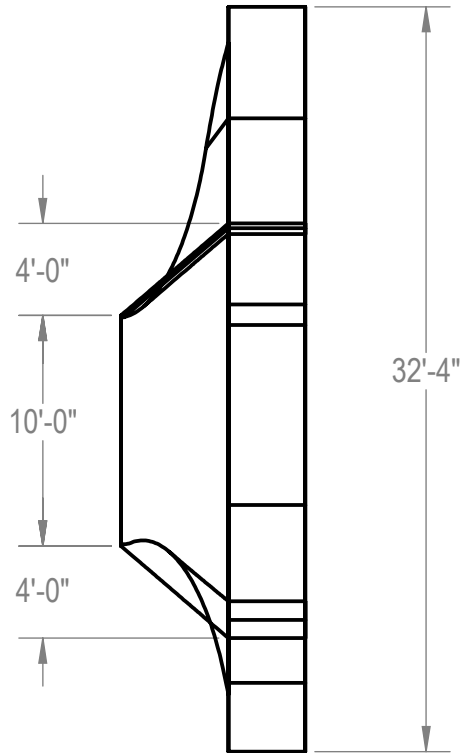
EXCAVATION NOTES:

- ROUGH EXCAVATION SHOULD BE 2" DEEPER IN EACH INSTANCE.
- SOIL TO HAVE MINIMUM BEARING CAPACITY OF 1500 PSF.
- LOCATE TOP OF POOL AT LEAST 6" ABOVE THE SURROUNDING LAND ELEVATION.
- SEE "OVER DIG DETAIL" FOR EXCAVATION AROUND POOL.
- FILL VOIDS UNDER BASE OF PANELS AND TAMP WELL.
- BACK FILL WITH NON-EXPANSIVE MATERIAL.
- ANSI / APSP / ICC-5 FOR RESIDENTIAL POOLS, 2003-2007 BOCA CODE SECTION 421.

IMPORTANT NOTES:

- THIS DOCUMENT IS FOR ILLUSTRATIVE PURPOSES ONLY. THE DEALER OR CONTRACTOR WHO SELLS OR INSTALLS YOUR POOL IS AN INDEPENDENT CONTRACTOR AND IS NOT AN AGENT OF THE MANUFACTURER. THE CONSTRUCTION METHODS ILLUSTRATED HERE ARE SUGGESTIONS AND APPLY ONLY TO NORMAL GROUND CONDITIONS. THERE MAY BE ADDITIONAL PRECAUTIONS AND/OR METHODS OF CONSTRUCTION. PROPER INSTALLATION IS THE RESPONSIBILITY OF THE DEALER/BUILDER/CONTRACTOR.

ENGINEERING DRAWING NUMBER: 00005064	WEIGHT: lbs	UNLESS OTHERWISE SPECIFIED DIMENSIONS ARE IN INCHES TOLERANCES DECIMALS: X ± .1 XX ± .01 XXX ± .001 XXXX ± .0005 ANGULAR: X ± 0.5 THIRD ANGLE PROJECTION	DESIGNED BY: RCOLBOCH	CREATION DATE: 7/11/2013	HYDRA POOLS	
	VOLUME: Inch ³		DETAILED BY: JBOSSERDET	DETAILED DATE: 10/5/2012		
	COLOR:		LAST REVISED BY: jbosserdet	LAST REVISED DATE: 1/29/2015		
	NA HEAT TREAT:		MATERIAL:	TITLE: LAYOUT, 32'-4" X 38'-1", AMEBA, 8' DEEP, 100 SERIES		
NA FINISH:				PART NUMBER: 10956	SCALE: 1:192	SIZE: A
NA TEXTURE:					SHEET: 1 OF 6	



NOTES:

1. THESE ARE FINISHED DIMENSIONS READY FOR THE LINER.
2. DIMENSIONS ARE FROM INSIDE POOL PANELS.
3. THE IDEAL WATER LEVER SHOULD BE TO THE MIDDLE OF THE SKIMMER OPENING(S).

EXCAVATION NOTES:

4. ROUGH EXCAVATION SHOULD BE 2" DEEPER IN EACH INSTANCE.
5. SOIL TO HAVE MINIMUM BEARING CAPACITY OF 1500 PSF.
6. LOCATE TOP OF POOL AT LEAST 6" ABOVE THE SURROUNDING LAND ELEVATION.
7. SEE "OVER DIG DETAIL" FOR EXCAVATION AROUND POOL.
8. FILL VOIDS UNDER BASE OF PANELS AND TAMP WELL.
9. BACK FILL WITH NON-EXPANSIVE MATERIAL.
10. ANSI / APSP / ICC-5 FOR RESIDENTIAL POOLS, 2003-2007 BOCA CODE SECTION 421.

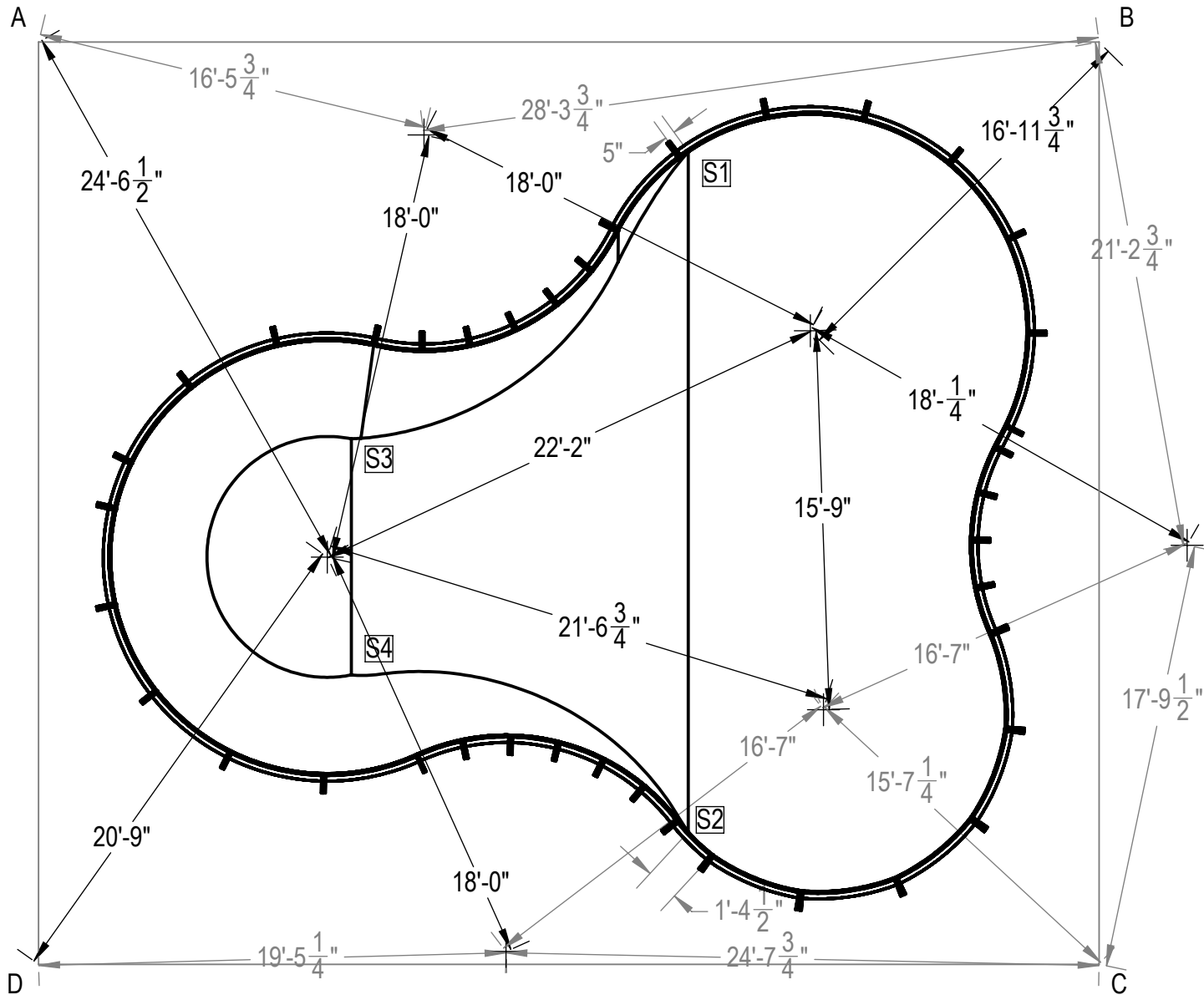
IMPORTANT NOTES:

11. THIS DOCUMENT IS FOR ILLUSTRATIVE PURPOSES ONLY. THE DEALER OR CONTRACTOR WHO SELLS OR INSTALLS YOUR POOL IS AN INDEPENDENT CONTRACTOR AND IS NOT AN AGENT OF THE MANUFACTURER. THE CONSTRUCTION METHODS ILLUSTRATED HERE ARE SUGGESTIONS AND APPLY ONLY TO NORMAL GROUND CONDITIONS. THERE MAY BE ADDITIONAL PRECAUTIONS AND/OR METHODS OF CONSTRUCTION. PROPER INSTALLATION IS THE RESPONSIBILITY OF THE DEALER/BUILDER/CONTRACTOR.

ENGINEERING DRAWING NUMBER: 00005064	WEIGHT:	UNLESS OTHERWISE SPECIFIED DIMENSIONS ARE IN INCHES TOLERANCES DECIMALS: X ± .1 XX ± .01 XXX ± .001 XXXX ± .0005 ANGULAR: X ± 0.5 THIRD ANGLE PROJECTION 	DESIGNED BY:	CREATION DATE:	HYDRA POOLS
	lbs		RCOLBOCH	7/1/2013	
	VOLUME:			DETAILED BY:	DETAILED DATE:
	Inch ³			JBOSSERDET	10/5/2012
COLOR:		LAST REVISED BY:	LAST REVISED DATE:	TITLE:	LAYOUT, 32'-4" X 38'-1", AMEBA, 8' DEEP, 100 SERIES
NA		jbosserdet	1/29/2015	PART NUMBER:	
HEAT TREAT:		MATERIAL:			
NA					
FINISH:					
NA					
TEXTURE:					
NA					

10956

SCALE:
1:192
SHEET:
2 OF 6
SIZE:
A

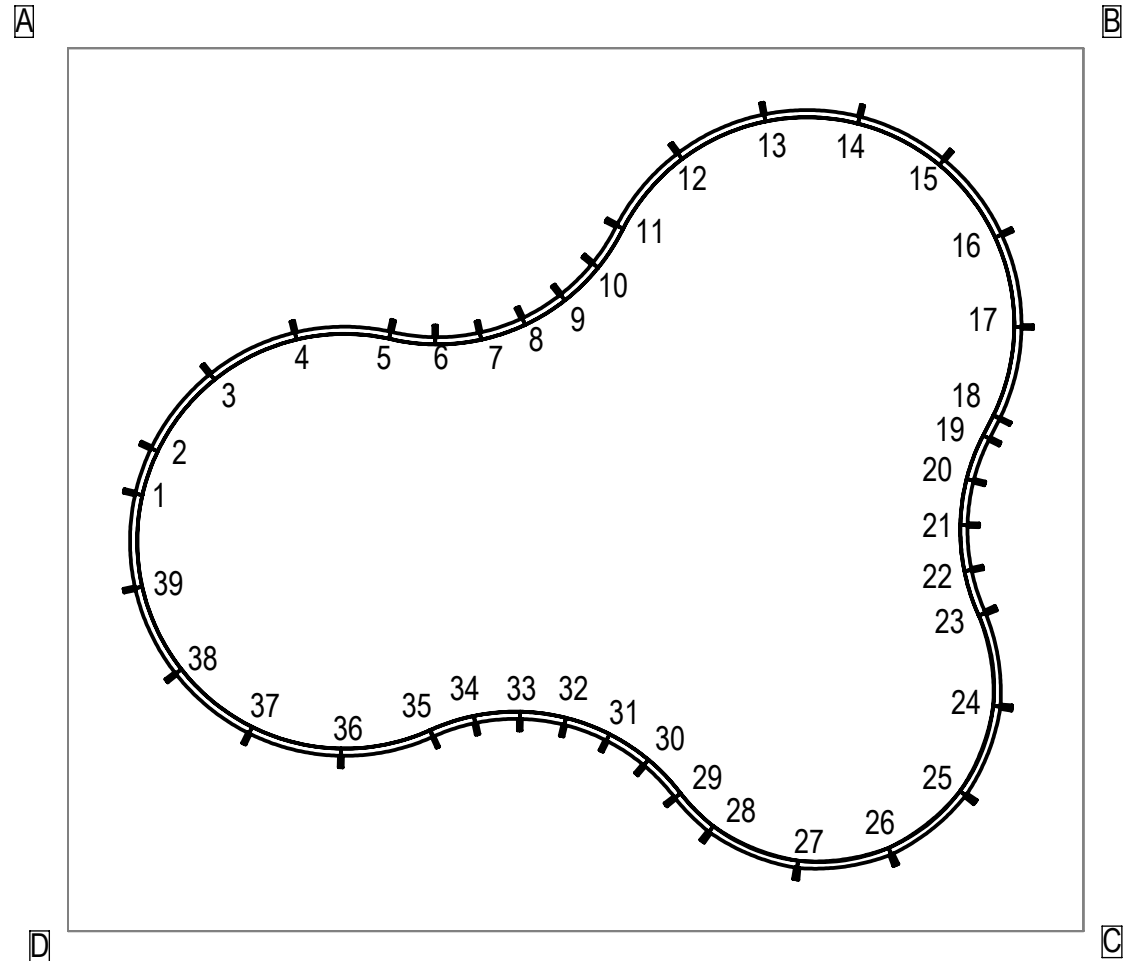


A-S1	27'-4 1/2"
B-S1	17'-8"
A-S2	42'-6"
B-S2	37'-0"
A-S3	21'-0"
B-S3	35'-2 1/4"
A-S4	29'-4"
B-S4	40'-8 1/2"

ENGINEERING DRAWING NUMBER: 00005064	WEIGHT:	UNLESS OTHERWISE SPECIFIED DIMENSIONS ARE IN INCHES TOLERANCES DECIMALS: X ± .1 XX ± .01 XXX ± .001 XXXX ± .0005 ANGULAR: X ± 0.5 THIRD ANGLE PROJECTION	DESIGNED BY:	CREATION DATE:	HYDRA POOLS TITLE: LAYOUT, 32'-4" X 38'-1", AMEBA, 8' DEEP, 100 SERIES PART NUMBER: <div style="font-size: 2em; font-weight: bold; text-align: center;">10956</div>
	lbs		RCOLBOCH	7/1/2013	
	VOLUME:		DETAILED BY:	10/5/2012	
	Inch ³		JBOSSERDET		
	COLOR:		LAST REVISED BY:	1/29/2015	
NA	jbosserdet				
HEAT TREAT:	MATERIAL:				
NA					
FINISH:					
NA					
TEXTURE:					
NA					

	A	B	C	D
1	19'-8"	45'-2 1/2"	45'- 1/4"	19'-2 1/2"
2	17'-11"	43'-10"	45'-3"	21'-2 1/4"
3	15'-8 3/4"	40'-4 1/2"	44'-8"	24'-9 1/4"
4	16'- 3/4"	36'-5"	42'-8 3/4"	27'-6 1/4"
5	18'-9 1/2"	32'-8"	39'-7 1/2"	29'-3"
6	20'-5 3/4"	30'-11 1/4"	37'-11 1/2"	30'- 1/2"
7	21'-11 1/4"	29'- 1/2"	36'-7 3/4"	31'-3 3/4"
8	23'-2 1/4"	27'- 1/2"	35'-9 1/4"	32'-11 1/2"
9	24'-2 1/4"	25'- 1/4"	35'-5 1/4"	34'-10 1/4"
10	24'-10 3/4"	23'-1 1/2"	35'-8 1/4"	36'-10 1/4"
11	25'-4"	21'-5 1/2"	36'-5 1/2"	38'-10 1/4"
12	27'-1"	18'- 3/4"	37'-9 1/4"	42'-10"
13	30'-5 1/4"	14'-2"	37'-9"	49'- 1/4"
14	34'-5 1/4"	10'-4"	36'-4 3/4"	50'-4 1/4"
15	38'-1 3/4"	8'- 3/4"	33'-10"	50'-3"
16	41'- 3/4"	41'- 3/4"	30'-4 1/4"	48'-8 3/4"
17	42'-9 3/4"	42'-9 3/4"	26'-4 3/4"	45'-11 1/2"
18	43'-2 1/2"	43'-2 1/2"	22'-8 1/2"	46'-0"
19	43'-1 1/2"	43'-1 1/2"	21'-11 1/2"	43'-8"
20	43'-3"	43'-3"	20'-3 1/4"	43'-8"
21	43'-11"	43'-11"	18'-5"	42'-6 3/4"
22	45'- 1/2"	45'- 1/2"	16'-5 1/2"	41'-11"
23	46'-6 3/4"	46'-7"	14'-5 1/4"	41'-10"
24	49'-3 1/4"	49'-3 1/4"	10'-6 1/2"	41'-4"
25	50'-4 3/4"	50'-4 3/4"	8'-1 1/4"	39'-2 1/4"
26	49'-8 3/4"	49'-8 3/4"	9'-2 1/2"	35'-9 1/2"
27	47'-5"	47'-5"	12'-9"	31'-10"
28	43'-10 1/2"	43'-10 1/2"	16'-8 1/4"	28'-4 1/2"
29	41'-10 1/2"	41'-10 1/2"	18'-5 3/4"	27'-3"
30	39'-10 1/4"	39'-10 1/4"	20'-3 1/2"	26'-3 1/4"
31	37'-11 1/4"	37'-11 1/4"	22'-3 1/4"	25'- 1/4"
32	36'-2 3/4"	36'-2 3/4"	24'-3 1/2"	23'-6 1/4"
33	34'-10 1/4"	34'-10 1/4"	26'-3"	21'-9 3/4"
34	33'-11"	33'-11"	28'- 3/4"	19'-11 1/4"
35	33'-6 1/4"	33'-6 1/4"	29'-7 3/4"	17'-11 1/2"
36	32'-7 1/2"	32'-7 1/2"	33'-2 1/4"	14'-3"
37	30'-6 1/4"	30'-6 1/4"	37'-1 3/4"	11'-11 1/4"
38	27'-4 3/4"	27'-4 3/4"	40'-9 1/4"	12'-4 3/4"
39	23'-7"	23'-7"	43'-6"	15'-3 1/2"

A-B	44'- 3/4"
B-C	38'-4"
A-C	58'-4 3/4"

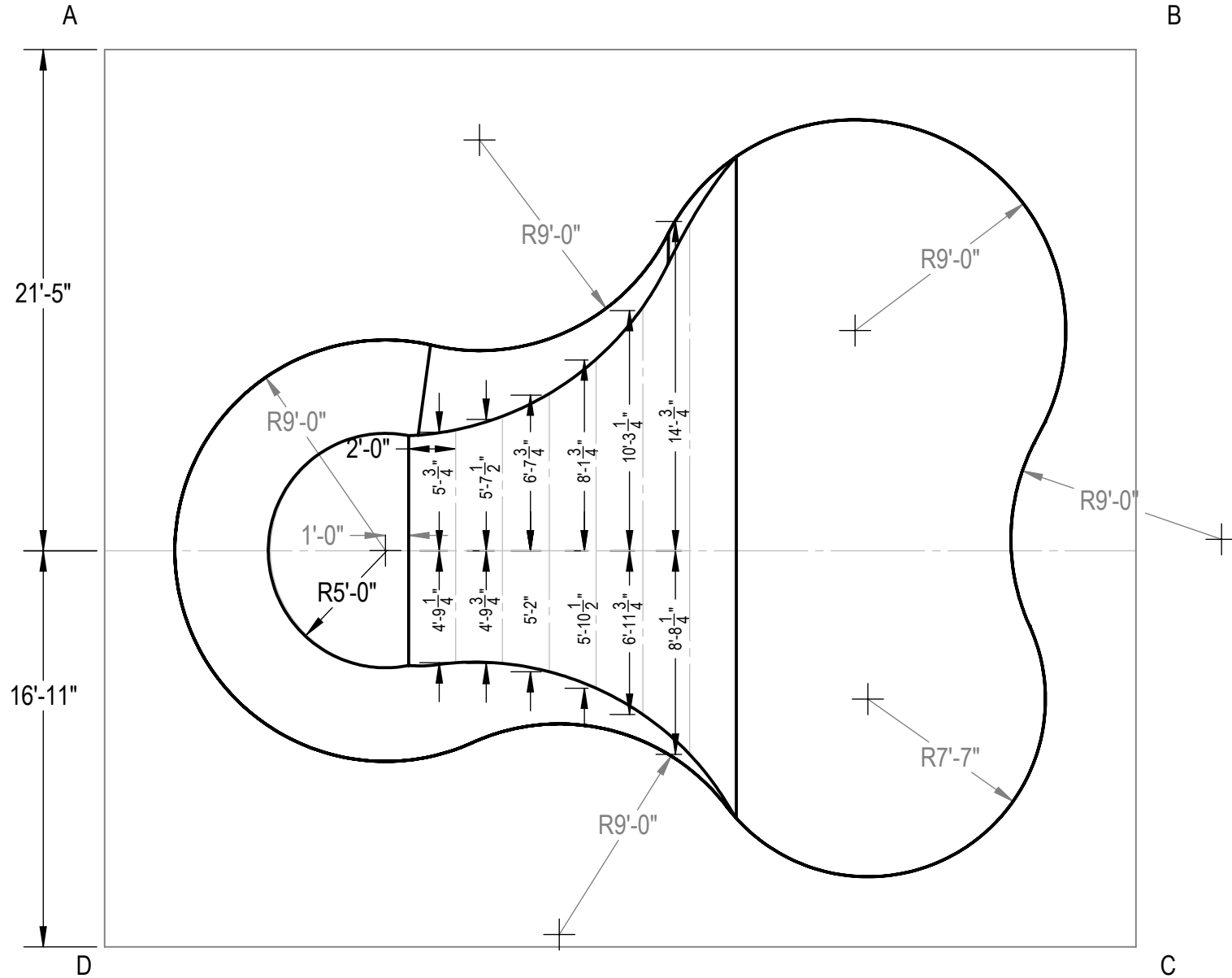


ENGINEERING DRAWING NUMBER:
00005064

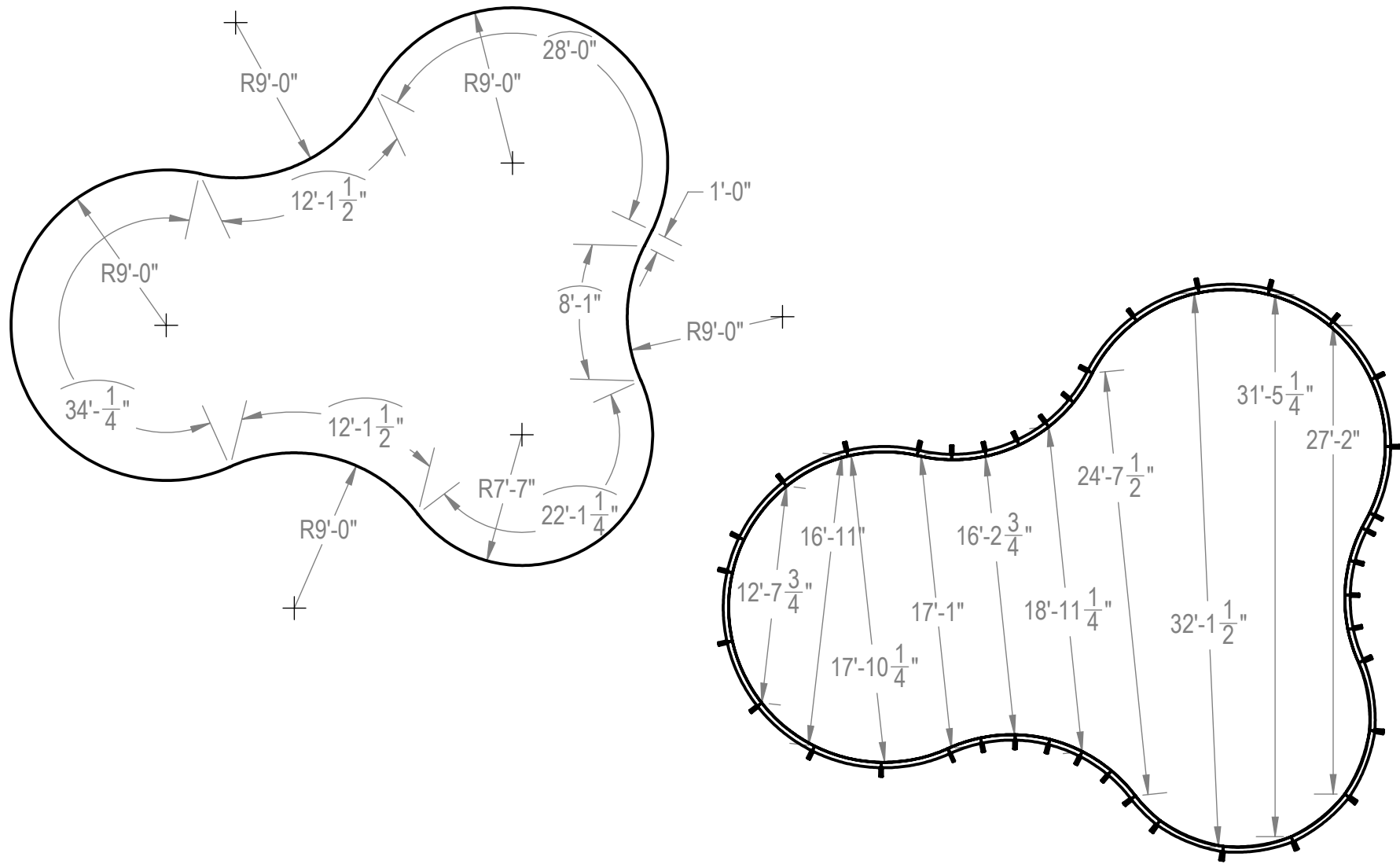
WEIGHT:	UNLESS OTHERWISE SPECIFIED DIMENSIONS ARE IN INCHES TOLERANCES DECIMALS: X ± .1 XX ± .01 XXX ± .001 XXXX ± .0005 ANGULAR: X ± 0.5 THIRD ANGLE PROJECTION	DESIGNED BY:	RCOLBOCH	CREATION DATE:	7/1/2013
lbs		DETAILED BY:	JBOSSERDET	DETAILED DATE:	10/5/2012
VOLUME:		LAST REVISED BY:	jbossdet	LAST REVISED DATE:	1/29/2015
Inch ³		MATERIAL:			
COLOR:					
NA					
HEAT TREAT:					
NA					
FINISH:					
NA					
TEXTURE:					
NA					

HYDRA POOLS	
TITLE:	LAYOUT, 32'-4" X 38'-1", AMEBA, 8' DEEP, 100 SERIES
PART NUMBER:	10956

SCALE:	1:192	A
SHEET:	4 OF 6	



ENGINEERING DRAWING NUMBER: 00005064	WEIGHT:	UNLESS OTHERWISE SPECIFIED DIMENSIONS ARE IN INCHES TOLERANCES DECIMALS: X ± .1 XX ± .01 XXX ± .001 XXXX ± .0005 ANGULAR: X ± 0.5 THIRD ANGLE PROJECTION	DESIGNED BY:	CREATION DATE:	HYDRA POOLS TITLE: LAYOUT, 32'-4" X 38'-1", AMEBA, 8' DEEP, 100 SERIES PART NUMBER: <div style="font-size: 2em; font-weight: bold; text-align: center;">10956</div>
	lbs		RCOLBOCH	7/1/2013	
	VOLUME:		DETAILED BY:	DETAILED DATE:	
	Inch ³		JBOSSERDET	10/5/2012	
	COLOR:		LAST REVISED BY:	LAST REVISED DATE:	
	NA		jbosserdet	1/29/2015	
HEAT TREAT:	MATERIAL:		SCALE:	SIZE:	
NA			1:192	A	
FINISH:			SHEET:		
NA			5 OF 6		
TEXTURE:					
NA					



ENGINEERING DRAWING NUMBER: 00005064	WEIGHT:	UNLESS OTHERWISE SPECIFIED DIMENSIONS ARE IN INCHES TOLERANCES DECIMALS: X ± .1 XX ± .01 XXX ± .001 XXXX ± .0005 ANGULAR: X ± 0.5 THIRD ANGLE PROJECTION 	DESIGNED BY:	CREATION DATE:	HYDRA POOLS TITLE: LAYOUT, 32'-4" X 38'-1", AMEBA, 8' DEEP, 100 SERIES PART NUMBER: <div style="font-size: 2em; font-weight: bold; text-align: center;">10956</div>
	lbs		RCOLBOCH	7/1/2013	
	VOLUME:		DETAILED BY:	DETAILED DATE:	
	Inch ³		JBOSSERDET	10/5/2012	
	COLOR:		LAST REVISED BY:	LAST REVISED DATE:	
	NA		jbosserdet	1/29/2015	
HEAT TREAT:	MATERIAL:		SCALE: 1:192	SIZE: A	
NA			SHEET: 6 OF 6		
FINISH:					
TEXTURE:					
NA					