

NOTES:

1. THESE ARE FINISHED DIMENSIONS READY FOR THE LINER.
2. DIMENSIONS ARE FROM INSIDE POOL PANELS.
3. THE IDEAL WATER LEVER SHOULD BE TO THE MIDDLE OF THE SKIMMER OPENING(S).

EXCAVATION NOTES:

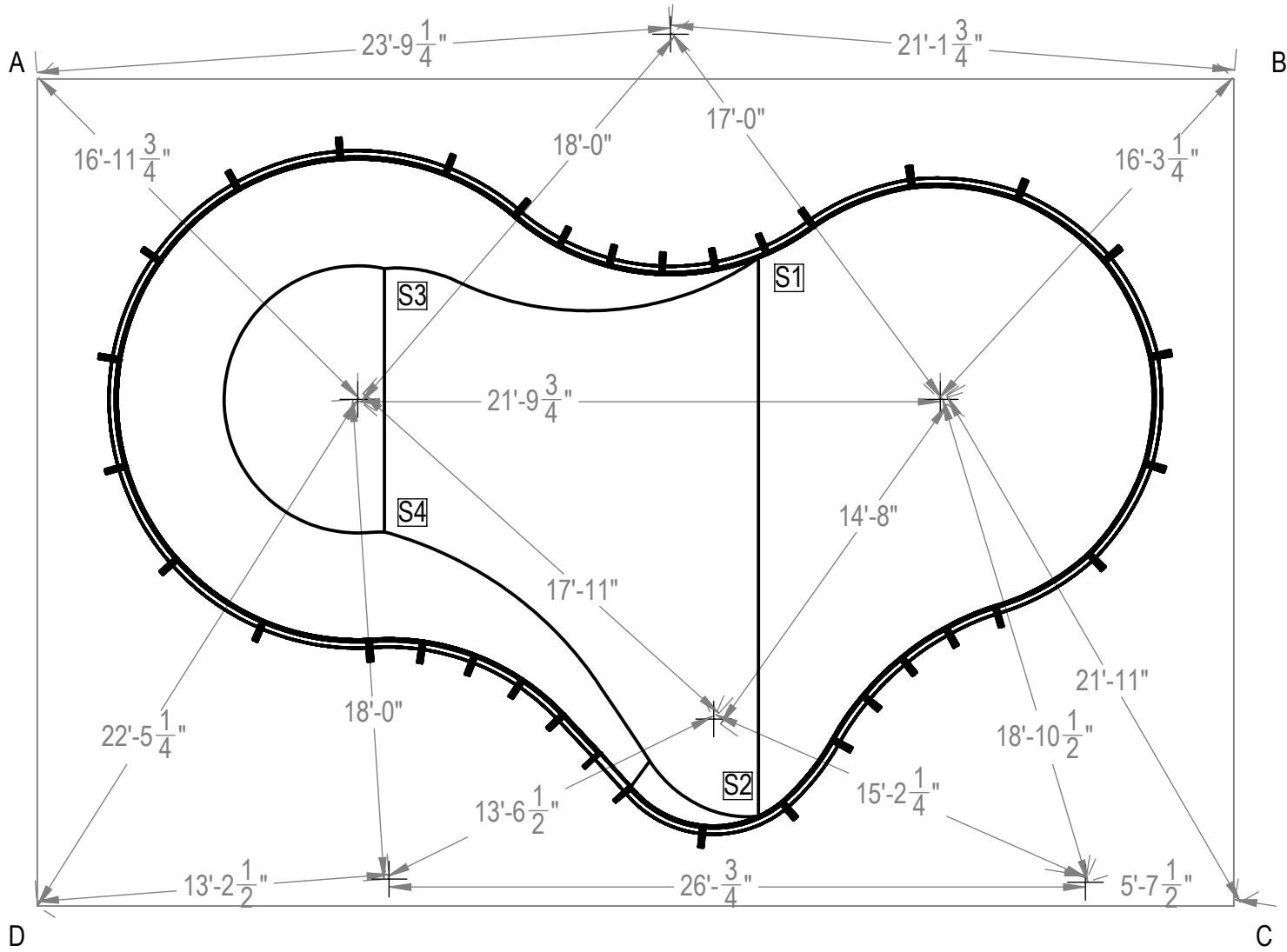
4. ROUGH EXCAVATION SHOULD BE 2" DEEPER IN EACH INSTANCE.
5. SOIL TO HAVE MINIMUM BEARING CAPACITY OF 1500 PSF.
6. LOCATE TOP OF POOL AT LEAST 6" ABOVE THE SURROUNDING LAND ELEVATION.
7. SEE "OVER DIG DETAIL" FOR EXCAVATION AROUND POOL.
8. FILL VOIDS UNDER BASE OF PANELS AND TAMP WELL.
9. BACK FILL WITH NON-EXPANSIVE MATERIAL.
10. ANSI / APSP / ICC-5 FOR RESIDENTIAL POOLS, 2003-2007 BOCA CODE SECTION 421.

IMPORTANT NOTES:

11. THIS DOCUMENT IS FOR ILLUSTRATIVE PURPOSES ONLY. THE DEALER OR CONTRACTOR WHO SELLS OR INSTALLS YOUR POOL IS AN INDEPENDENT CONTRACTOR AND IS NOT AN AGENT OF THE MANUFACTURER. THE CONSTRUCTION METHODS ILLUSTRATED HERE ARE SUGGESTIONS AND APPLY ONLY TO NORMAL GROUND CONDITIONS. THERE MAY BE ADDITIONAL PRECAUTIONS AND/OR METHODS OF CONSTRUCTION. PROPER INSTALLATION IS THE RESPONSIBILITY OF THE DEALER/BUILDER/CONTRACTOR.

ENGINEERING DRAWING NUMBER: 00005055	WEIGHT: 189863.435 lbs VOLUME: 5255403.272 Inch ³	UNLESS OTHERWISE SPECIFIED DIMENSIONS ARE IN INCHES TOLERANCES DECIMALS: X ± .1 XX ± .01 XXX ± .001 XXXX ± .0005 ANGULAR: X ± 0.5 THIRD ANGLE PROJECTION	DESIGNED BY: THARKENRIDER CREATION DATE: 1/9/2014	HYDRA POOLS				
	COLOR: NA HEAT TREAT: NA FINISH: NA TEXTURE: NA		DETAILED BY: JBOSSERDET DETAILED DATE: 10/5/2012			TITLE: LAYOUT, 24'-11" X 39', LAGOON, RIGHT, 8' DEEP, 100 SERIES		
			LAST REVISED BY: jbosserdet MATERIAL: Water	LAST REVISED DATE: 1/26/2015	PART NUMBER: <div style="font-size: 2em; font-weight: bold; text-align: center;">10933</div>	SCALE: 1:128 SHEET: 2 OF 6	SIZE: <div style="font-size: 3em; font-weight: bold; text-align: center;">A</div>	
	<div style="font-size: 2em; font-weight: bold;">10933</div>							

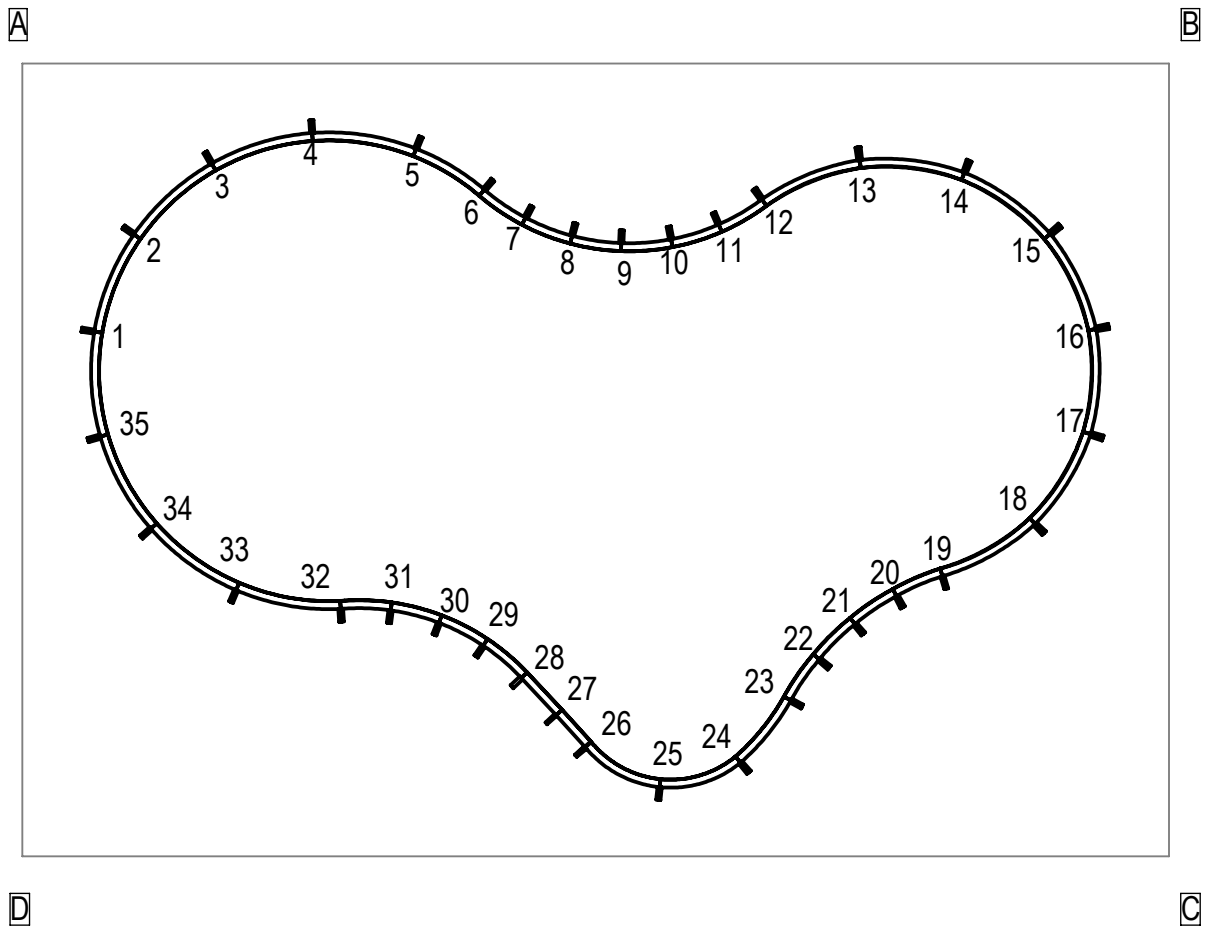
A-S1	27'-9 3/4"
B-S1	19'- 1/4"
A-S2	38'-7 1/4"
B-S2	32'-10 1/4"
A-S3	14'-9 3/4"
B-S3	32'-7"
A-S4	21'-4 1/2"
B-S4	36'- 1/2"



ENGINEERING DRAWING NUMBER: 00005055	WEIGHT: 192911.9 lbs	UNLESS OTHERWISE SPECIFIED DIMENSIONS ARE IN INCHES TOLERANCES DECIMALS: X ± .1 XX ± .01 XXX ± .001 XXXX ± .0005 ANGULAR: X ± 0.5 THIRD ANGLE PROJECTION	DESIGNED BY: THARKENRIDER	CREATION DATE: 1/8/2014	HYDRA POOLS TITLE: LAYOUT, 24'-11" X 39', LAGOON, RIGHT, 8' DEEP, 100 SERIES PART NUMBER: <div style="font-size: 2em; font-weight: bold; text-align: center;">10933</div>
	VOLUME: Inch ³		DETAILED BY: JBOSSEDET	DETAILED DATE: 10/5/2012	
	COLOR:		LAST REVISED BY: jbossedet	LAST REVISED DATE: 1/26/2015	
	HEAT TREAT:		MATERIAL:		
	FINISH:				
TEXTURE:			SCALE: 1:192	SIZE: A	

	A	B	C	D
1	10'-11 3/4"	42'-11 3/4"	46'-5"	20'-8 1/4"
2	8'-3 1/4"	40'-9"	46'-10 1/4"	24'-6 3/4"
3	8'-7 1/2"	37'-5 3/4"	45'-10 1/2"	27'-10"
4	11'-9"	33'-7"	43'-7"	30'-2"
5	15'-8 1/4"	29'-9"	40'-3"	31'-4"
6	18'-7"	27'-5 1/4"	37'-3 3/4"	31'-4 1/2"
7	20'-6"	26'- 3/4"	35'-4"	31'-5 1/2"
8	22'-6 1/4"	24'-5 1/4"	33'-5 3/4"	32'-1 1/4"
9	24'-6 1/4"	22'-7 1/2"	31'-10 3/4"	33'-3 1/4"
10	26'-4 3/4"	20'-8 1/4"	30'-8 1/2"	34'-9 3/4"
11	28'-1 1/4"	18'-8"	30'- 1/4"	36'-7 3/4"
12	29'-7 1/4"	16'-8 1/2"	29'-10 3/4"	38'-7 1/4"
13	33'-0"	12'-8 1/2"	29'-5 3/4"	42'-4 1/2"
14	36'-11 3/4"	9'-3 1/2"	27'-7 3/4"	45'-2 1/2"
15	40'-6"	8'-5"	24'-7 1/4"	46'-7 3/4"
16	42'-11"	10'-10 3/4"	20'-9 1/2"	46'-5 1/4"
17	43'-10 1/4"	14'-9 1/4"	16'-11"	44'-7 1/2"
18	43'-2"	18'-7"	14'-3 1/2"	41'-6"
19	40'-11"	21'-8"	14'-4 1/2"	37'-6 3/4"
20	39'-8 3/4"	23'-2 1/4"	15'- 1/4"	35'-7"
21	38'-11"	24'-11 3/4"	15'-6 3/4"	33'-7 3/4"
22	38'-6 3/4"	26'-11 1/4"	15'-11 3/4"	31'-10 3/4"
23	38'-8 1/4"	28'-11 1/2"	16'-3 1/2"	30'-4 3/4"
24	38'-10"	31'-11 1/4"	17'-4 1/2"	28'-1 1/2"
25	37'-5 1/2"	34'-3 1/2"	20'-1 1/4"	25'-1 1/4"
26	34'-7"	34'-9 3/4"	23'- 1/2"	22'-8"
27	32'-10 3/4"	34'-6 1/4"	24'-4 1/4"	21'-10 1/2"
28	30'-11 1/4"	34'-6 3/4"	26'- 3/4"	21'-0"
29	28'-11"	34'-10"	27'-11 1/4"	20'- 3/4"
30	27'-1"	35'-8"	29'-11 1/4"	18'-10 3/4"
31	25'-6 1/4"	36'-11 1/4"	31'-11 1/4"	17'-6 1/4"
32	24'-4 3/4"	38'-7"	33'-10 1/2"	15'-11 1/4"
33	21'-11 3/4"	41'-7 1/4"	37'-10 1/4"	13'-7 3/4"
34	18'-8 1/2"	43'-5 1/4"	41'-7 1/2"	14'- 1/2"
35	14'-10 1/2"	43'-11"	44'-7 1/4"	16'-10"

A-B	44'-9 1/2"
B-C	30'-11 3/4"
A-C	54'-5 1/2"

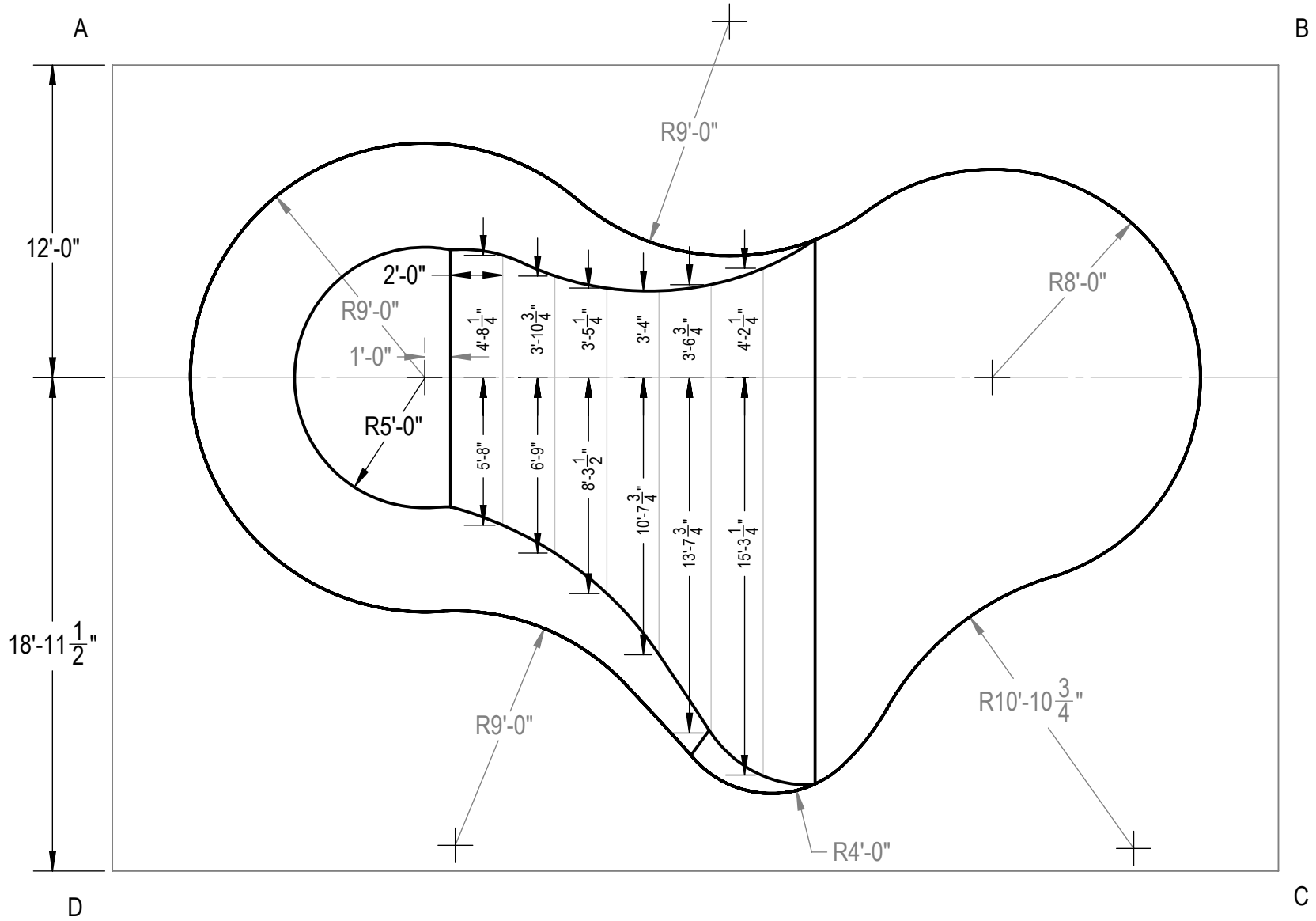


ENGINEERING DRAWING NUMBER:
00005055

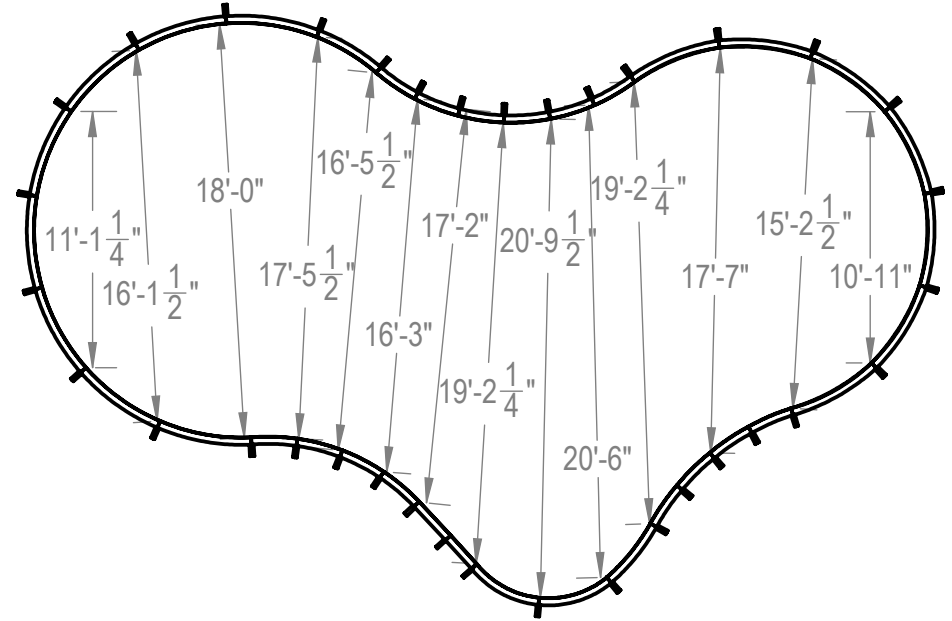
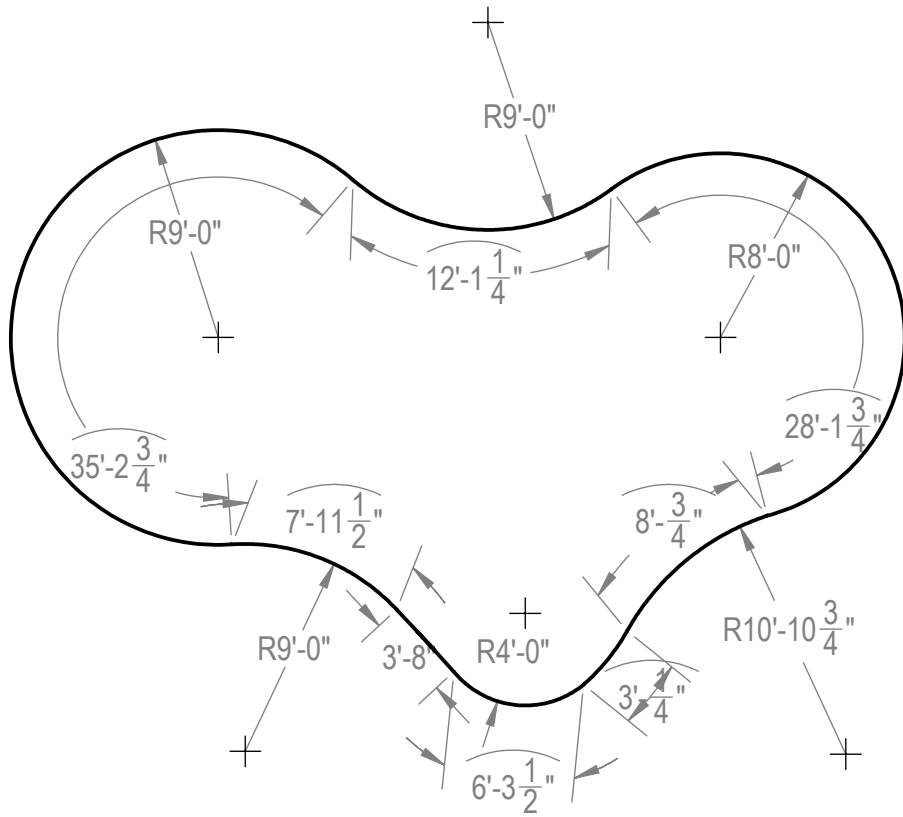
WEIGHT: 192911.9 lbs	UNLESS OTHERWISE SPECIFIED DIMENSIONS ARE IN INCHES TOLERANCES DECIMALS: X ± .1 XX ± .01 XXX ± .001 XXXX ± .0005	DESIGNED BY: THARKENRIDER	CREATION DATE: 1/8/2014
VOLUME: Inch ³		DETAILED BY: JBOSSERDET	DETAILED DATE: 10/5/2012
COLOR:		LAST REVISED BY: jbosserdet	LAST REVISED DATE: 1/26/2015
HEAT TREAT:		MATERIAL:	
FINISH:	ANGULAR: X ± 0.5		
TEXTURE:	THIRD ANGLE PROJECTION		

HYDRA POOLS	
TITLE: LAYOUT, 24'-11" X 39', LAGOON, RIGHT, 8' DEEP, 100 SERIES	
PART NUMBER:	10933

SCALE: 1:192	SIZE: A
SHEET: 4 OF 6	



ENGINEERING DRAWING NUMBER: 00005055	WEIGHT: 189863.435 lbs	UNLESS OTHERWISE SPECIFIED DIMENSIONS ARE IN INCHES TOLERANCES DECIMALS: X ± .1 XX ± .01 XXX ± .001 XXXX ± .0005 ANGULAR: X ± 0.5 THIRD ANGLE PROJECTION	DESIGNED BY: THARKENRIDER	CREATION DATE: 1/9/2014	HYDRA POOLS TITLE: LAYOUT, 24'-11" X 39', LAGOON, RIGHT, 8' DEEP, 100 SERIES PART NUMBER: <div style="font-size: 2em; font-weight: bold; text-align: center;">10933</div>
	VOLUME: 5255403.272 Inch ³		DETAILED BY: JBOSSEDET	DETAILED DATE: 10/5/2012	
	COLOR: NA		LAST REVISED BY: jbossedet	LAST REVISED DATE: 1/26/2015	
	HEAT TREAT: NA		MATERIAL: Water		
	FINISH: NA				
	TEXTURE: NA				



ENGINEERING DRAWING NUMBER: 00005055	WEIGHT: 192911.9 lbs	UNLESS OTHERWISE SPECIFIED DIMENSIONS ARE IN INCHES TOLERANCES DECIMALS: X ± .1 XX ± .01 XXX ± .001 XXXX ± .0005 ANGULAR: X ± 0.5 THIRD ANGLE PROJECTION 	DESIGNED BY: THARKENRIDER	CREATION DATE: 1/8/2014	HYDRA POOLS TITLE: LAYOUT, 24'-11" X 39', LAGOON, RIGHT, 8' DEEP, 100 SERIES PART NUMBER: <div style="font-size: 2em; font-weight: bold; text-align: center;">10933</div>
	VOLUME: Inch ³		DETAILED BY: JBOSSEDET	DETAILED DATE: 10/5/2012	
	COLOR:		LAST REVISED BY: jbossedet	LAST REVISED DATE: 1/26/2015	
	HEAT TREAT:		MATERIAL:		
	FINISH:				
TEXTURE:				SCALE: 1:192	SIZE: A
				SHEET: 6 OF 6	