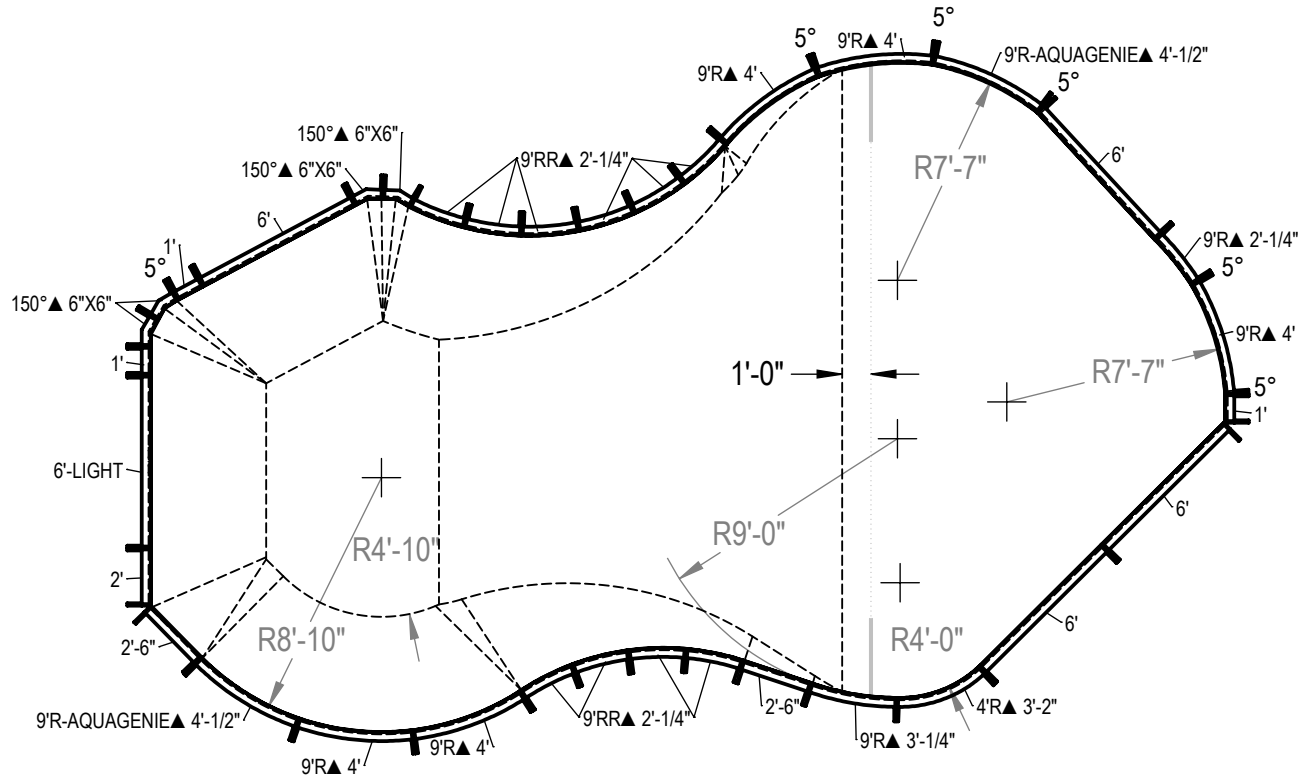


REVISION HISTORY				
REV.	DESCRIPTION	DATE	ECO	BY
A	2014 POLYMER DIG BOOK	01/07/14	NONE	THARKENRIDER
B	UPDATED BOM	3/26/2014	NONE	RCOLBOCH
C	UPDATED TAG DATA TO INCLUDE COPING LENGTHS.	1/26/2015	391702	JBOSSERDET



ITEM	FILE NAME	DESCRIPTION	CUSTOMER DRAWING #	VENDOR PART #	QTY.	VENDOR NAME	MATERIAL
1	BRACE	BRACE, 4 TAB, HYDRA - 100 SERIES	HP199	HP199	37	HYDRA POOLS	PS
2	INSERT, 5° WEDGE	INSERT, 5° WEDGE	HP226	HP226	6	HYDRA POOLS, IA	PP Homopolymer
3	PANEL, 1' LONG	PANEL, 1' LONG - 100 SERIES	HP101	HP101	3	HYDRA POOLS	PS
4	PANEL, 2'-6 IN LONG	PANEL, 2'-6" LONG - 100 SERIES	HP183S	HP183S	2	HYDRA POOLS	PS
5	PANEL, 2' LONG	PANEL, 2' LONG - 100 SERIES	HP102	HP102	1	HYDRA POOLS	PS
6	PANEL, 4' RADIUS	PANEL, 4' RADIUS - 100 SERIES	HP154	HP154	1	HYDRA POOLS	PS
7	PANEL, 6' LONG	PANEL, 6' LONG - 100 SERIES	HP106	HP106	4	HYDRA POOLS	PS
8	PANEL, 6' LONG WITH LIGHT	PANEL, 6' LONG WITH LIGHT - 100 SERIES	HP106L	HP106L	1	HYDRA POOLS	PS
9	PANEL, 9' RADIUS WITH AQUA GENIE	PANEL, 9' RADIUS WITH AQUAGENIE - 100 SERIES	HP159A	HP159A	2	HYDRA POOLS	PS
10	PANEL, 9' RADIUS, 2' LONG	PANEL, 9' RADIUS, 2' LONG, INSERT OVAL - 100 SERIES	HP110	HP110	1	HYDRA POOLS	PS
11	PANEL, 9' RADIUS, 3' LONG	PANEL, 9' RADIUS, 3' LONG, ROMAN - 100 SERIES	HP125	HP125	1	HYDRA POOLS	PS
12	PANEL, 9' RADIUS, 4' LONG	PANEL, 9' RADIUS, 4' LONG - 100 SERIES	HP159	HP159	5	HYDRA POOLS	PS
13	PANEL, 9' REVERSE RADIUS	PANEL, 9' REVERSE RADIUS - 100 SERIES	HP119N	HP119N	10	HYDRA POOLS	PS
14	PANEL, L, 150° X 6" X 6" X 6" IN CORNER 45° HYDRA	PANEL, L, 150° X 6" X 6" - 100 SERIES	HP121	HP121	4	HYDRA POOLS	PS
15	BRACE, STEEL CORNER 45° HYDRA	WEDGE, POLYMER CORNER, 45° HYDRA	HP213	HP213	2	HYDRA POOLS	G-235, 14 GA, CS-B

**NOTES:**

1. THESE ARE FINISHED DIMENSIONS READY FOR THE LINER.
2. DIMENSIONS ARE FROM INSIDE POOL PANELS.
3. THE IDEAL WATER LEVEL SHOULD BE TO THE MIDDLE OF THE SKIMMER OPENING(S).

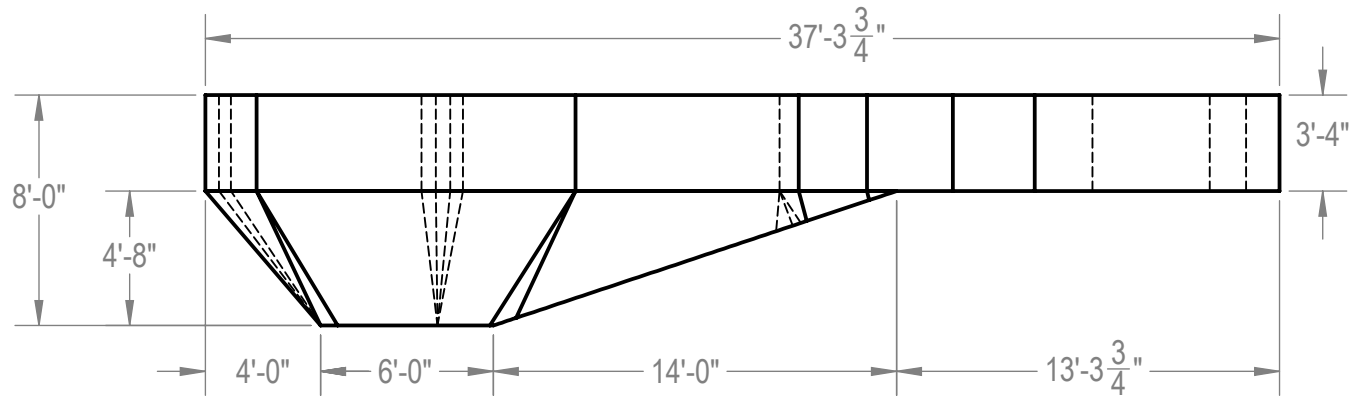
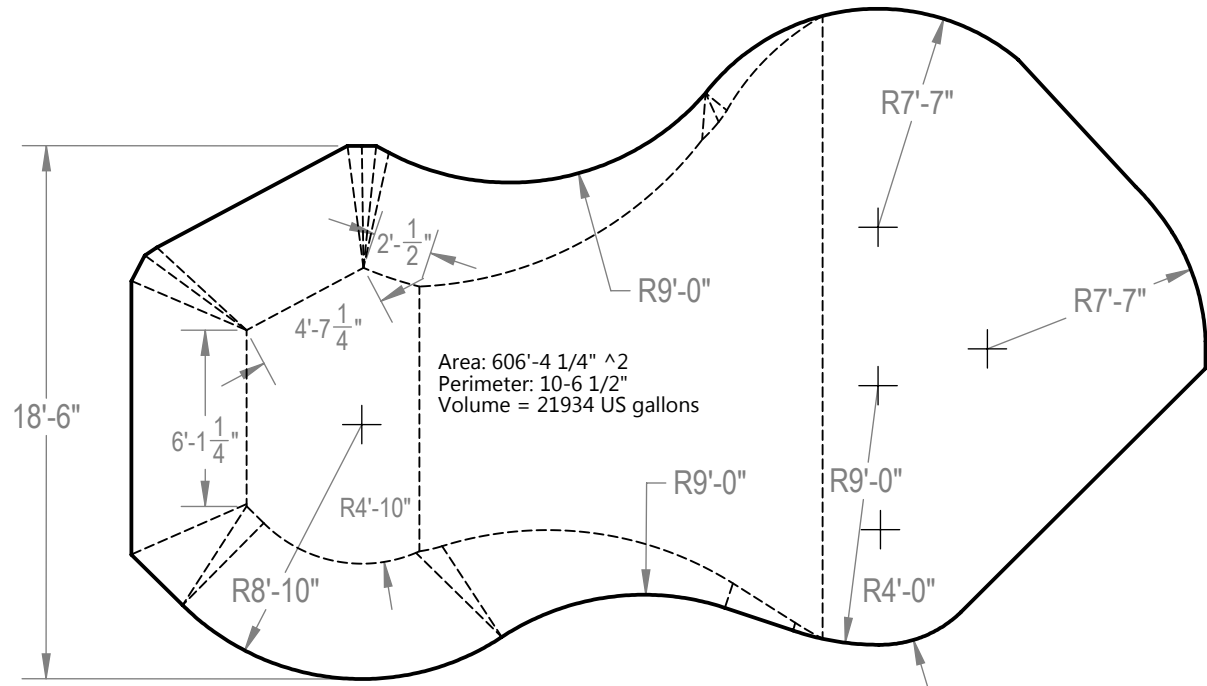
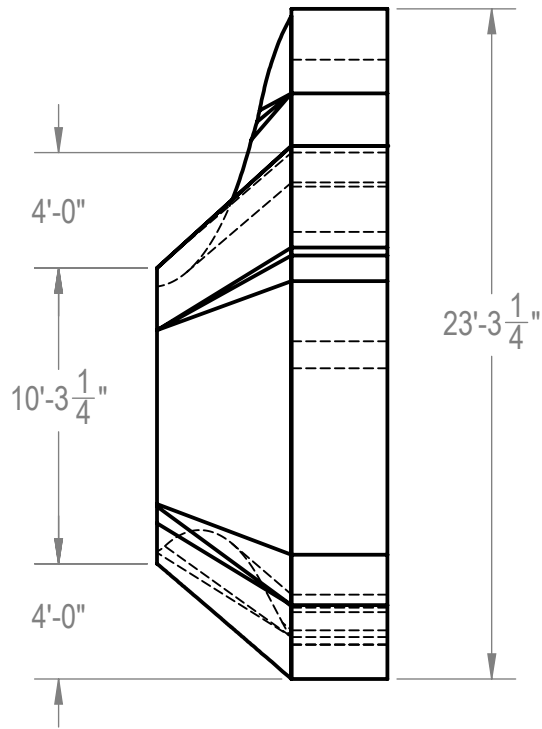
**EXCAVATION NOTES:**

4. ROUGH EXCAVATION SHOULD BE 2" DEEPER IN EACH INSTANCE.
5. SOIL TO HAVE MINIMUM BEARING CAPACITY OF 1500 PSF.
6. LOCATE TOP OF POOL AT LEAST 6" ABOVE THE SURROUNDING LAND ELEVATION.
7. SEE "OVER DIG DETAIL" FOR EXCAVATION AROUND POOL.
8. FILL VOIDS UNDER BASE OF PANELS AND TAMP WELL.
9. BACK FILL WITH NON-EXPANSIVE MATERIAL.
10. ANSI / APSP / ICC-5 FOR RESIDENTIAL POOLS, 2003-2007 BOCA CODE SECTION 421.

**IMPORTANT NOTES:**

11. THIS DOCUMENT IS FOR ILLUSTRATIVE PURPOSES ONLY. THE DEALER OR CONTRACTOR WHO SELLS OR INSTALLS YOUR POOL IS AN INDEPENDENT CONTRACTOR AND IS NOT AN AGENT OF THE MANUFACTURER. THE CONSTRUCTION METHODS ILLUSTRATED HERE ARE SUGGESTIONS AND APPLY ONLY TO NORMAL GROUND CONDITIONS. THERE MAY BE ADDITIONAL PRECAUTIONS AND/OR METHODS OF CONSTRUCTION. PROPER INSTALLATION IS THE RESPONSIBILITY OF THE DEALER/BUILDER/CONTRACTOR.

ENGINEERING DRAWING NUMBER: <b>00005020</b>	WEIGHT: lbs	<b>UNLESS OTHERWISE SPECIFIED</b> DIMENSIONS ARE IN INCHES TOLERANCES DECIMALS: X ± .1 XX ± .01 XXX ± .001 XXXX ± .0005  ANGULAR: X ± 0.5 THIRD ANGLE PROJECTION	DESIGNED BY: <b>RCOLBOCH</b>	CREATION DATE: <b>9/11/2013</b>	<b>HYDRA POOLS</b>
	VOLUME: Inch <sup>3</sup>		DETAILED BY: <b>JBOSSERDET</b>	DETAILED DATE: <b>10/5/2012</b>	
	COLOR:		LAST REVISED BY: <b>jbossdet</b>	LAST REVISED DATE: <b>1/26/2015</b>	
	HEAT TREAT: NA		MATERIAL:	TITLE: <b>LAYOUT, 23'-3" X 37'-4", OASIS, 8' DEEP, 100 SERIES</b>	
FINISH: NA					PART NUMBER: <b>10911</b>
TEXTURE: NA					SCALE: 1:192 SHEET: 1 OF 6 SIZE: <b>A</b>



**NOTES:**

1. THESE ARE FINISHED DIMENSIONS READY FOR THE LINER.
2. DIMENSIONS ARE FROM INSIDE POOL PANELS.
3. THE IDEAL WATER LEVEL SHOULD BE TO THE MIDDLE OF THE SKIMMER OPENING(S).

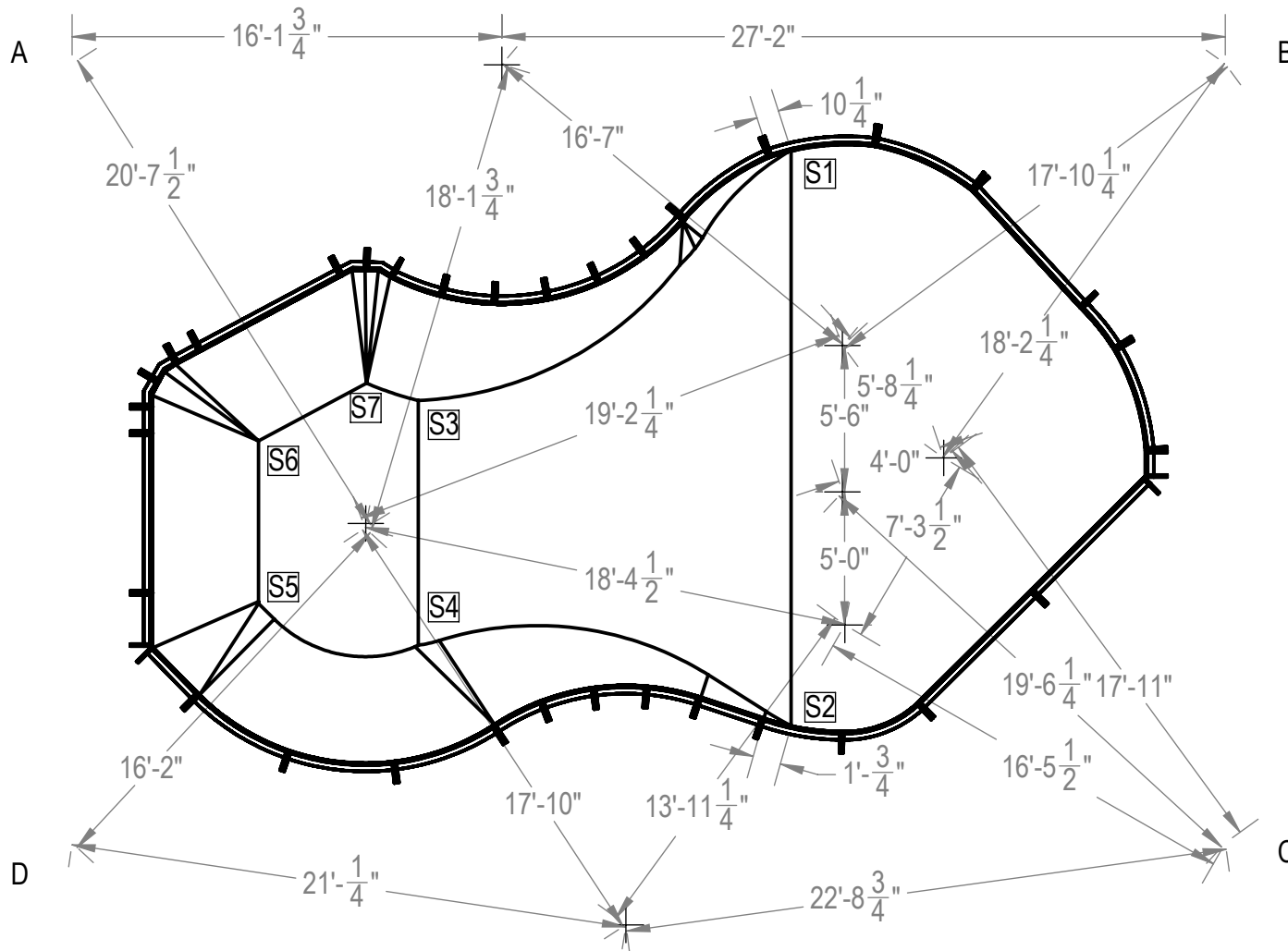
**EXCAVATION NOTES:**

4. ROUGH EXCAVATION SHOULD BE 2" DEEPER IN EACH INSTANCE.
5. SOIL TO HAVE MINIMUM BEARING CAPACITY OF 1500 PSF.
6. LOCATE TOP OF POOL AT LEAST 6" ABOVE THE SURROUNDING LAND ELEVATION.
7. SEE "OVER DIG DETAIL" FOR EXCAVATION AROUND POOL.
8. FILL VOIDS UNDER BASE OF PANELS AND TAMP WELL.
9. BACK FILL WITH NON-EXPANSIVE MATERIAL.
10. ANSI / APSP / ICC-5 FOR RESIDENTIAL POOLS, 2003-2007 BOCA CODE SECTION 421.

**IMPORTANT NOTES:**

11. THIS DOCUMENT IS FOR ILLUSTRATIVE PURPOSES ONLY. THE DEALER OR CONTRACTOR WHO SELLS OR INSTALLS YOUR POOL IS AN INDEPENDENT CONTRACTOR AND IS NOT AN AGENT OF THE MANUFACTURER. THE CONSTRUCTION METHODS ILLUSTRATED HERE ARE SUGGESTIONS AND APPLY ONLY TO NORMAL GROUND CONDITIONS. THERE MAY BE ADDITIONAL PRECAUTIONS AND/OR METHODS OF CONSTRUCTION. PROPER INSTALLATION IS THE RESPONSIBILITY OF THE DEALER/BUILDER/CONTRACTOR.

ENGINEERING DRAWING NUMBER: <b>00005020</b>	WEIGHT:	<b>UNLESS OTHERWISE SPECIFIED</b> DIMENSIONS ARE IN INCHES TOLERANCES DECIMALS: X ± .1 XX ± .01 XXX ± .001 XXXX ± .0005  ANGULAR: X ± 0.5 THIRD ANGLE PROJECTION	DESIGNED BY:	RCOLBOCH	CREATION DATE:	9/11/2013	<b>HYDRA POOLS</b>	
	lbs		DETAILED BY:	JBOSSERDET	DETAILED DATE:	10/5/2012		
	VOLUME:		LAST REVISED BY:	jbosserdet	LAST REVISED DATE:	1/26/2015	TITLE:	LAYOUT, 23'-3" X 37'-4", OASIS, 8' DEEP, 100 SERIES
	Inch <sup>3</sup>		MATERIAL:				PART NUMBER:	10911
COLOR:						SCALE:	1:192	A
HEAT TREAT:						SHEET:	2 OF 6	
FINISH:								
TEXTURE:								



A-S1	27'-2 1/4"
B-S1	16'-7 1/2"
A-S2	36'-8 1/2"
B-S2	29'-9"
A-S3	18'-1 3/4"
B-S3	32'-10"
A-S4	25'-5"
B-S4	37'-5 3/4"
A-S5	21'-4 1/2"
B-S5	41'-6 1/2"
A-S6	15'-9 1/2"
B-S6	38'-11 3/4"
A-S7	16'-3 3/4"
B-S7	34'-5"

ENGINEERING DRAWING NUMBER: <b>00005020</b>	WEIGHT:	<b>UNLESS OTHERWISE SPECIFIED</b> DIMENSIONS ARE IN INCHES TOLERANCES DECIMALS: X ± 0.1 XX ± 0.01 XXX ± 0.005 XXXX ± 0.0005 ANGULAR: X ± 0.5 THIRD ANGLE PROJECTION	DESIGNED BY:	CREATION DATE:
	lbs		RCOLBOCH	9/11/2013
	VOLUME:		DETAILED BY:	DETAILED DATE:
	Inch <sup>3</sup>		JBOSSERDET	10/5/2012
	COLOR:		LAST REVISED BY:	LAST REVISED DATE:
	NA		jbossedet	1/26/2015
	HEAT TREAT:		MATERIAL:	
NA				

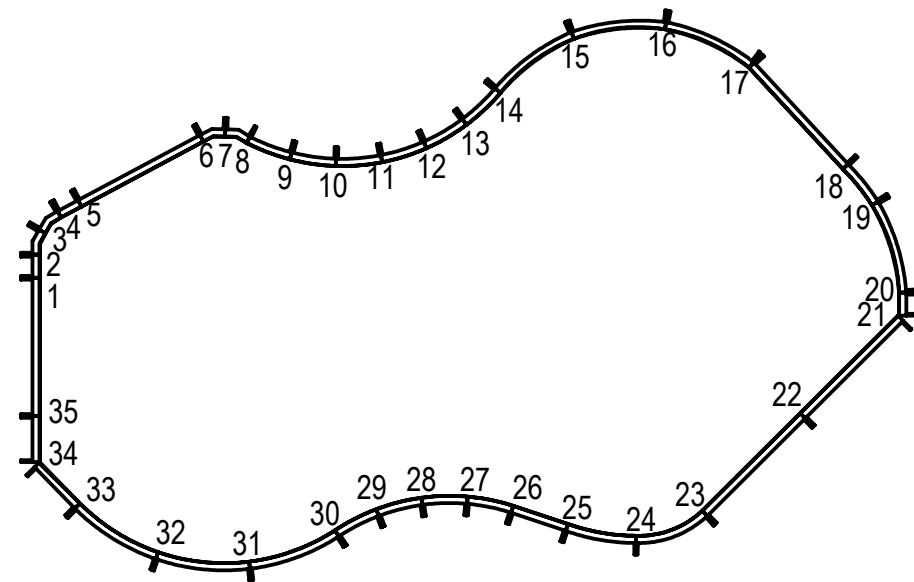
HYDRA POOLS	
TITLE: LAYOUT, 23'-3" X 37'-4", OASIS, 8' DEEP, 100 SERIES	
PART NUMBER:	<b>10911</b>
SCALE:	SIZE:
1:192	<b>A</b>
SHEET:	
3 OF 6	

	A	B	C	D
1	14'-2 1/2"	42'-7 1/2"	43'-1 3/4"	15'-8 1/4"
2	13'-2 3/4"	42'-3 3/4"	43'-6"	16'-8"
3	12'-4 1/2"	41'-9 1/2"	43'-7 3/4"	17'-7 1/2"
4	11'-11 1/4"	41'-0"	43'-4"	18'-4 3/4"
5	11'-9 3/4"	39'-11 3/4"	42'-8 1/4"	19'-1"
6	12'-10 1/2"	34'-1 3/4"	39'-5 1/4"	23'-7"
7	13'-5 1/2"	33'-2 3/4"	38'-9 3/4"	24'-2"
8	14'-4 1/2"	32'-4 1/4"	37'-10 3/4"	24'-4 3/4"
9	16'-4 3/4"	30'-8 1/2"	35'-10 3/4"	24'-9 1/4"
10	18'-3"	28'-10 3/4"	34'-1 1/4"	25'-8 1/2"
11	19'-11 1/4"	26'-11 1/4"	32'-7 1/4"	27'-1 1/2"
12	21'-5 1/4"	24'-11"	31'-6 1/2"	28'-10 1/2"
13	22'-8 1/2"	22'-11 1/4"	30'-11 3/4"	30'-9 3/4"
14	23'-8 1/4"	21'-2 1/2"	30'-11 3/4"	32'-8 3/4"
15	26'-5 1/4"	17'-5 1/2"	30'-11"	36'-9"
16	30'-3 1/2"	13'-6 1/4"	29'-3 1/2"	39'-11"
17	34'-1 3/4"	10'-7 1/2"	26'-3 1/4"	41'-9"
18	38'-11 3/4"	10'-8"	20'-9 3/4"	42'-10 1/2"
19	40'-7"	11'-6 1/4"	18'-11 3/4"	43'-3 1/2"
20	42'-10"	14'-10"	15'-1/2"	42'-11"
21	43'-1 3/4"	15'-9 3/4"	14'-3/4"	42'-7"
22	41'-1"	21'-3/4"	11'-11 3/4"	37'-3"
23	39'-9 3/4"	26'-7"	12'-8"	32'-3"
24	38'-3 3/4"	28'-10 3/4"	14'-11 1/2"	29'-3"
25	35'-9 1/4"	30'-1"	17'-11 1/4"	26'-4 3/4"
26	33'-6 1/4"	30'-10 3/4"	20'-5 1/4"	24'-2 3/4"
27	31'-9 3/4"	31'-11"	22'-6"	22'-4 1/2"
28	30'-6 1/4"	33'-4 1/4"	24'-5 1/4"	20'-5"
29	29'-8 1/2"	35'-1 1/4"	26'-3"	18'-4 3/4"
30	29'-5 1/2"	37'-0"	27'-9 3/4"	16'-5 3/4"
31	28'-10 1/4"	40'-9"	31'-4 1/4"	12'-5 3/4"
32	27'-1/2"	43'-7 1/4"	35'-4"	8'-10 1/4"
33	24'-2 1/4"	45'-2 3/4"	38'-11"	7'-4"
34	22'-2"	45'-10 3/4"	40'-11 1/2"	7'-11"
35	20'-1 1/4"	44'-11 1/4"	41'-4 1/2"	9'-10 1/4"

A-B	43'-3 3/4"
B-C	29'-3 1/4"
A-C	52'-3 1/4"

A

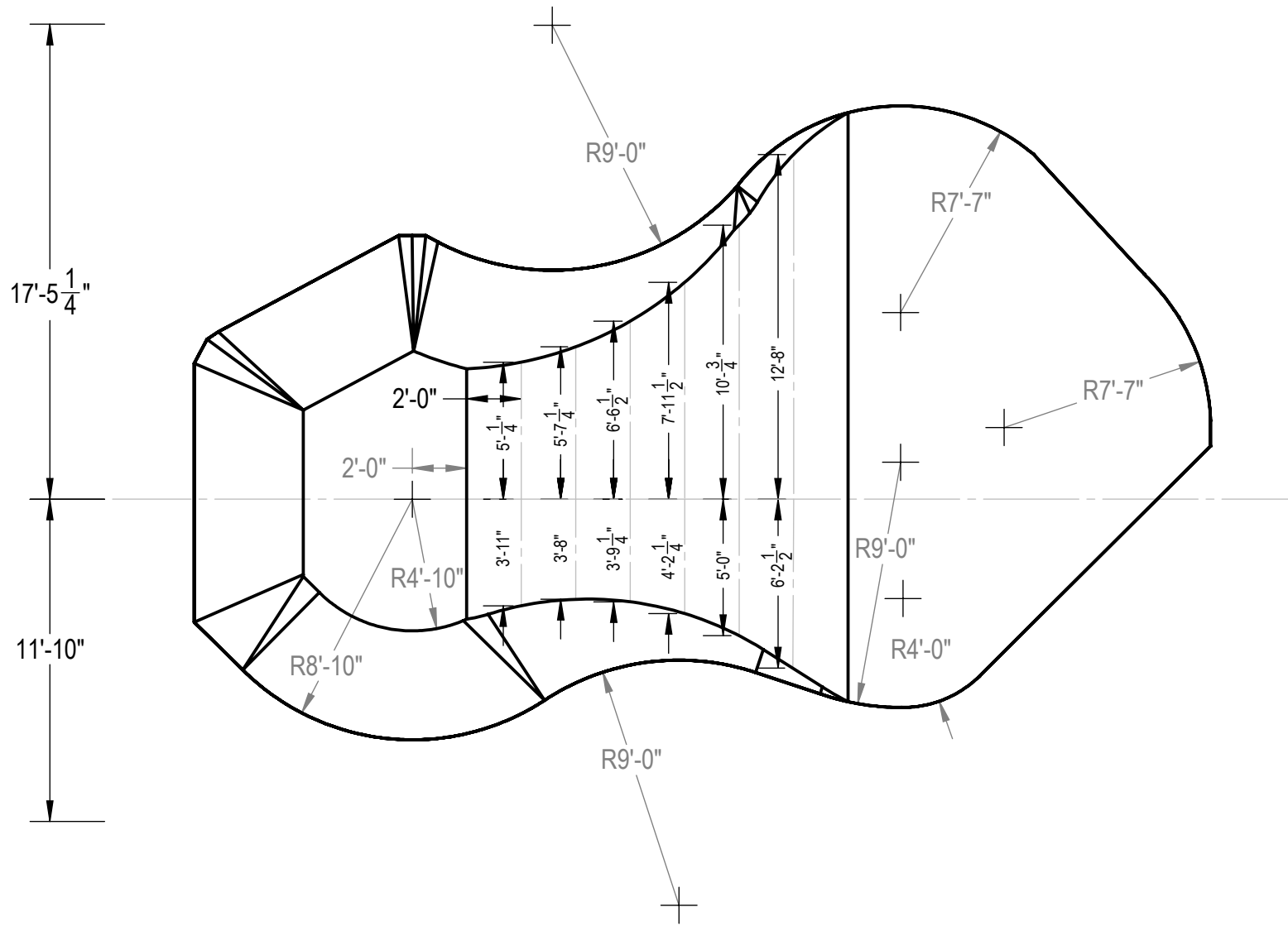
B



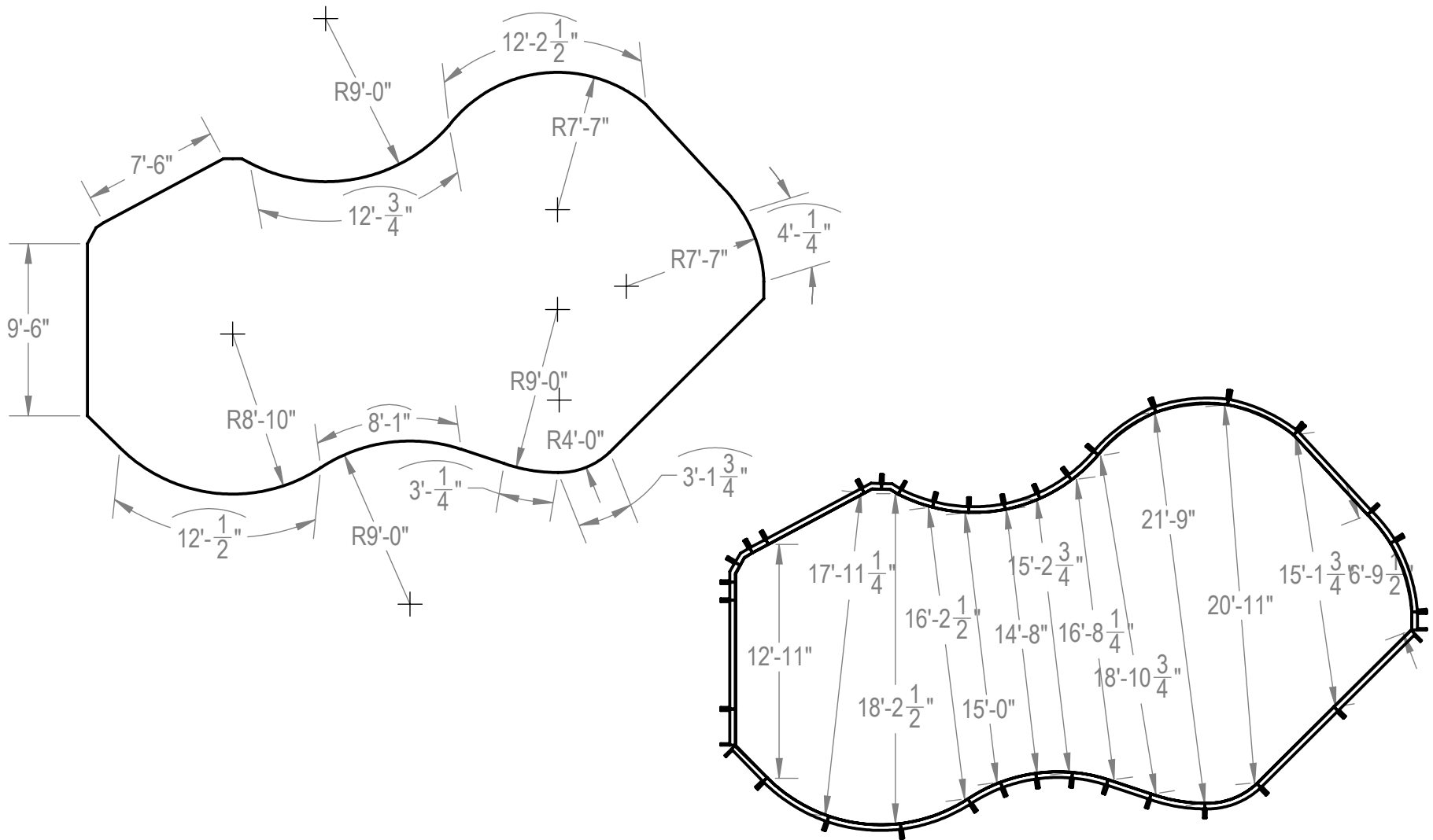
D

C

ENGINEERING DRAWING NUMBER: <b>00005020</b>	WEIGHT:	<b>UNLESS OTHERWISE SPECIFIED</b> DIMENSIONS ARE IN INCHES TOLERANCES DECIMALS: X ± 0.1 XX ± 0.01 XXX ± 0.005 XXXX ± 0.0005  ANGULAR: X ± 0.5 THIRD ANGLE PROJECTION	DESIGNED BY:	CREATION DATE:	<b>HYDRA POOLS</b>  <b>LAYOUT, 23'-3" X 37'-4", OASIS, 8'          DEEP, 100 SERIES</b>	
	lbs		RCOLBOCH	9/11/2013		
	VOLUME:		DETAILED BY:	DETAILED DATE:		
	Inch <sup>3</sup>		JBOSSERDET	10/5/2012		
	COLOR:		LAST REVISED BY:	LAST REVISED DATE:		
NA	jbossdet	1/26/2015	TITLE:			
HEAT TREAT:	MATERIAL:		PART NUMBER:	SCALE:	SIZE:	
NA				10911	1:192	A
FINISH:					SHEET:	
NA					4 OF 6	
TEXTURE:						
NA						



ENGINEERING DRAWING NUMBER: <b>00005020</b>	WEIGHT:	<b>UNLESS OTHERWISE SPECIFIED</b> DIMENSIONS ARE IN INCHES TOLERANCES DECIMALS: X ± 0.1 XX ± 0.01 XXX ± 0.005 XXXX ± 0.0005 ANGULAR: X ± 0.5 THIRD ANGLE PROJECTION	DESIGNED BY:	CREATION DATE:	<b>HYDRA POOLS</b>  <b>LAYOUT, 23'-3" X 37'-4", OASIS, 8'</b> <b>DEEP, 100 SERIES</b>
	lbs		RCOLBOCH	9/11/2013	
	VOLUME:		Detailed by:	Detailed Date:	
	Inch <sup>3</sup>		JBOSSERDET	10/5/2012	
	COLOR:		Last Revised By:	Last Revised Date:	
	NA		jbosserdet	1/26/2015	
HEAT TREAT:	MATERIAL:	TITLE:	PART NUMBER: <b>10911</b>	SCALE:	SIZE:
NA				1:192	A
FINISH:				SHEET:	
NA				5 OF 6	
TEXTURE:					
NA					



ENGINEERING DRAWING NUMBER: <b>00005020</b>	WEIGHT:	<b>UNLESS OTHERWISE SPECIFIED</b> DIMENSIONS ARE IN INCHES TOLERANCES DECIMALS: X ± 0.1 XX ± 0.01 XXX ± 0.005 XXXX ± 0.0005 ANGULAR: X ± 0.5 THIRD ANGLE PROJECTION	DESIGNED BY:	CREATION DATE:	<b>HYDRA POOLS</b>  <b>LAYOUT, 23'-3" X 37'-4", OASIS, 8'</b> <b>DEEP, 100 SERIES</b>
	lbs		RCOLBOCH	9/11/2013	
	VOLUME:		DETAILED BY:	DETAILED DATE:	
	Inch <sup>3</sup>		JBOSSERDET	10/5/2012	TITLE:
	COLOR:		LAST REVISED BY:	LAST REVISED DATE:	<b>10911</b>
	NA		jbossdet	1/26/2015	
HEAT TREAT:	MATERIAL:		SCALE:		
NA			1:192	SIZE:	
FINISH:			6 OF 6	<b>A</b>	
TEXTURE:					
NA					