

NOTES:

1. THESE ARE FINISHED DIMENSIONS READY FOR THE LINER.
2. DIMENSIONS ARE FROM INSIDE POOL PANELS.
3. THE IDEAL WATER LEVER SHOULD BE TO THE MIDDLE OF THE SKIMMER OPENING(S).

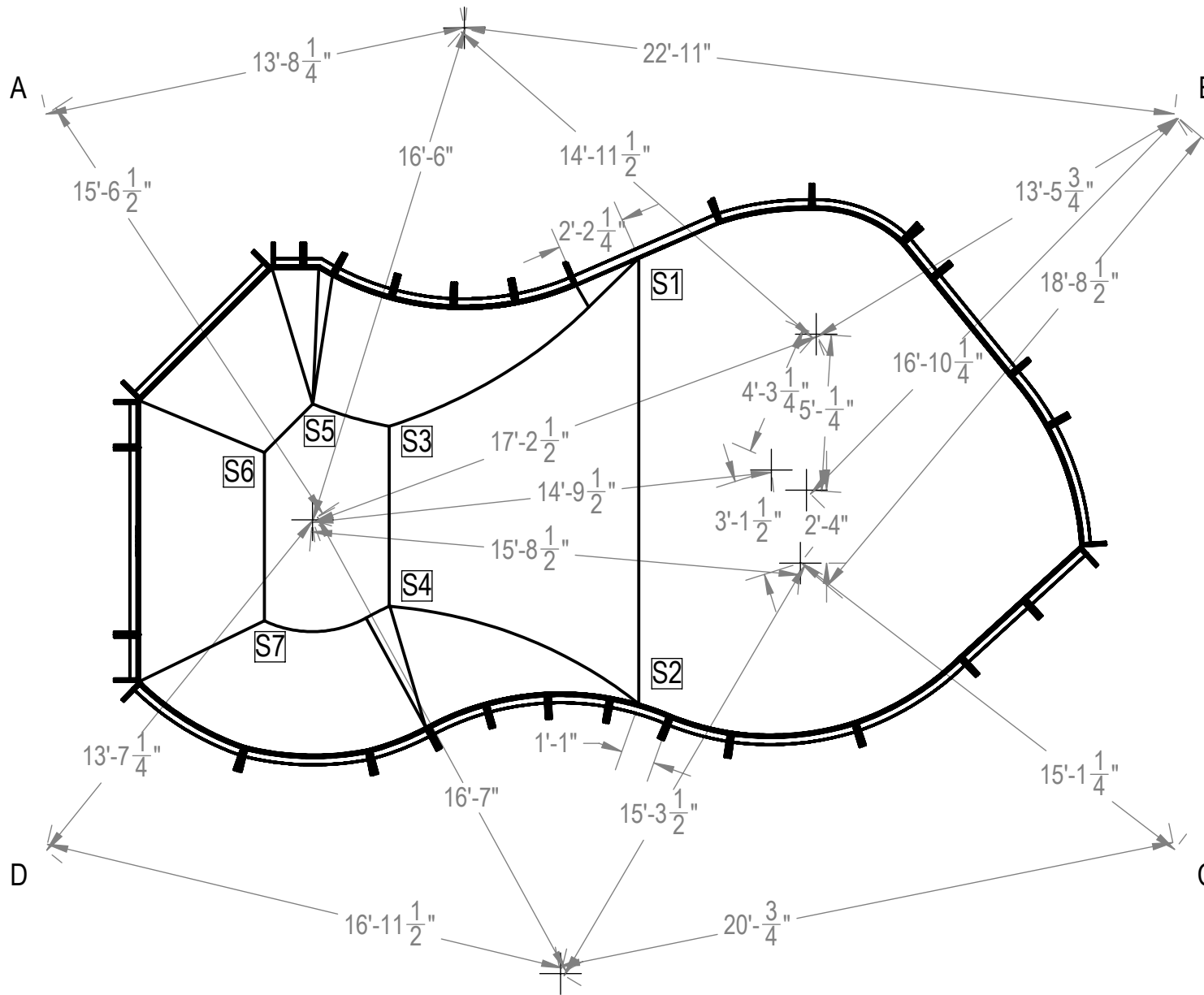
EXCAVATION NOTES:

4. ROUGH EXCAVATION SHOULD BE 2" DEEPER IN EACH INSTANCE.
5. SOIL TO HAVE MINIMUM BEARING CAPACITY OF 1500 PSF.
6. LOCATE TOP OF POOL AT LEAST 6" ABOVE THE SURROUNDING LAND ELEVATION.
7. SEE "OVER DIG DETAIL" FOR EXCAVATION AROUND POOL.
8. FILL VOIDS UNDER BASE OF PANELS AND TAMP WELL.
9. BACK FILL WITH NON-EXPANSIVE MATERIAL.
10. ANSI / APSP / ICC-5 FOR RESIDENTIAL POOLS, 2003-2007 BOCA CODE SECTION 421.

IMPORTANT NOTES:

11. THIS DOCUMENT IS FOR ILLUSTRATIVE PURPOSES ONLY. THE DEALER OR CONTRACTOR WHO SELLS OR INSTALLS YOUR POOL IS AN INDEPENDENT CONTRACTOR AND IS NOT AN AGENT OF THE MANUFACTURER. THE CONSTRUCTION METHODS ILLUSTRATED HERE ARE SUGGESTIONS AND APPLY ONLY TO NORMAL GROUND CONDITIONS. THERE MAY BE ADDITIONAL PRECAUTIONS AND/OR METHODS OF CONSTRUCTION. PROPER INSTALLATION IS THE RESPONSIBILITY OF THE DEALER/BUILDER/CONTRACTOR.

ENGINEERING DRAWING NUMBER: 00005007	WEIGHT: 100931.566 lbs	UNLESS OTHERWISE SPECIFIED DIMENSIONS ARE IN INCHES TOLERANCES DECIMALS: X ± .1 XX ± .01 XXX ± .001 XXXX ± .0005 ANGULAR: X ± 0.5 THIRD ANGLE PROJECTION	DESIGNED BY: THARKENRIDER	CREATION DATE: 1/3/2014	HYDRA POOLS
	VOLUME: 2793776.919 Inch ³		DETAILED BY: JBOSSERDET	DETAILED DATE: 10/5/2012	
	COLOR: NA		LAST REVISED BY: jbosserdet	LAST REVISED DATE: 1/26/2015	
	HEAT TREAT: NA		TITLE: LAYOUT, 17'-7" X 30'-2", OASIS, 6' DEEP, 100 SERIES		
FINISH: NA	TEXTURE: NA		PART NUMBER: 10906	SCALE: 1:96	SIZE: A
C:\PDM\working\00005007					SHEET: 2 OF 6

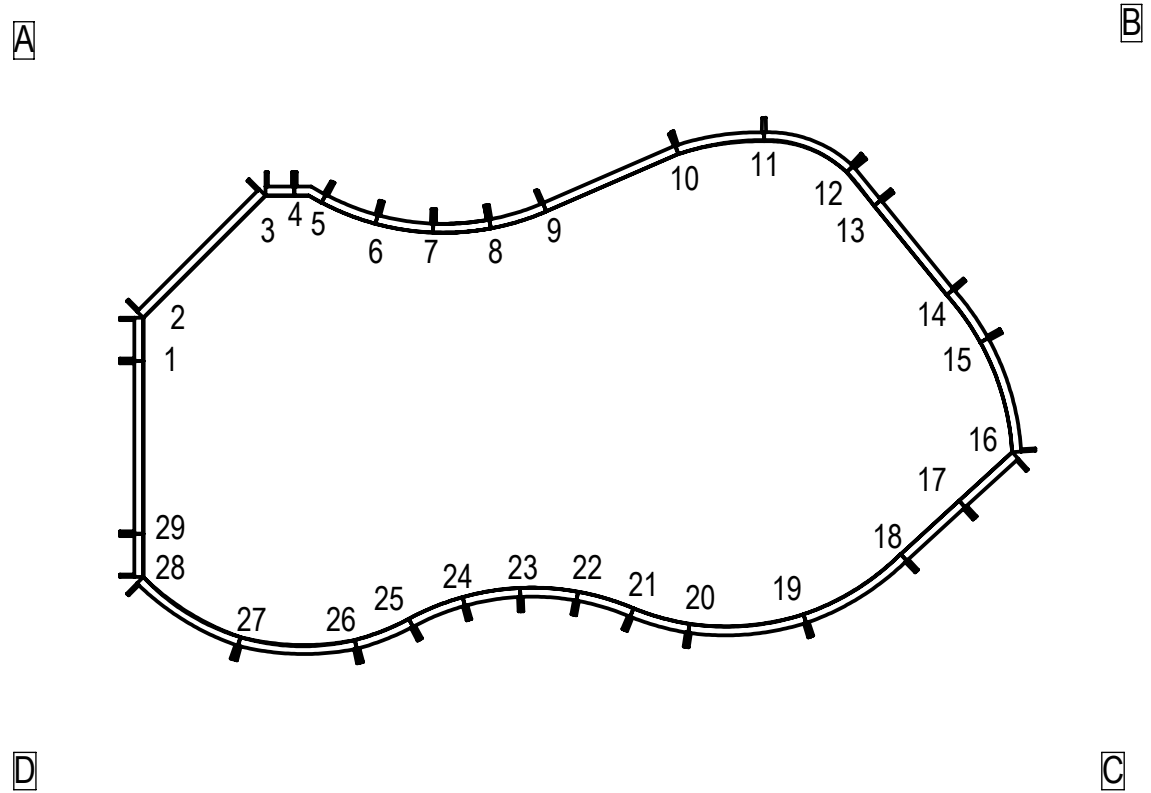


A-S1	19'-6 1/2"
B-S1	17'-9 1/4"
A-S2	26'-9 1/2"
B-S2	25'-6 1/4"
A-S3	14'-10 1/4"
B-S3	27'-1"
A-S4	19'-2 3/4"
B-S4	29'-8 1/4"
A-S5	12'-7 1/2"
B-S5	29'-1 1/2"
A-S6	12'-10 3/4"
B-S6	31'-1 1/4"
A-S7	17'-8"
B-S7	33'-4 1/2"

ENGINEERING DRAWING NUMBER: 00005007	WEIGHT: 103374.9 lbs	UNLESS OTHERWISE SPECIFIED DIMENSIONS ARE IN INCHES TOLERANCES DECIMALS: X ± 0.1 XX ± 0.01 XXX ± 0.005 XXXX ± 0.0005 ANGULAR: X ± 0.5 THIRD ANGLE PROJECTION 	DESIGNED BY: THARKENRIDER	CREATION DATE: 1/3/2014	HYDRA POOLS TITLE: LAYOUT, 17'-7" X 30'-2", OASIS, 6' DEEP, 100 SERIES PART NUMBER: 10906	
	VOLUME: Inch³		DETAILED BY: JBOSSEDET	DETAILED DATE: 10/5/2012		
	COLOR:		LAST REVISED BY: jbossedet	LAST REVISED DATE: 1/26/2015		
	HEAT TREAT:		MATERIAL:			
	FINISH:					
TEXTURE:					SCALE: 1:128	SIZE: A

	A	B	C	D
1	11'-1"	34'-10"	35'-7"	13'-3"
2	9'-7 3/4"	34'-5"	36'-2"	14'-8 1/2"
3	8'-9 1/4"	29'-4"	34'-5"	20'-0"
4	9'-7 1/4"	28'-4 1/4"	33'-7"	20'-4 3/4"
5	10'-6 1/2"	27'-5 3/4"	32'-8"	20'-6 3/4"
6	12'-6 1/2"	25'-9 1/2"	30'-8 1/2"	20'-10 1/4"
7	14'-5 1/2"	23'-11 1/4"	28'-11"	21'-8 3/4"
8	16'-3"	21'-11 1/2"	27'-5"	23'-1 1/4"
9	17'-10 1/4"	19'-11 1/4"	26'-4 1/2"	24'-10"
10	21'-10 1/4"	15'-0"	24'-10"	29'-5 3/4"
11	24'-8 1/2"	12'- 1/4"	23'-7"	32'-0"
12	27'-8 3/4"	9'-8"	21'-4"	33'-7 1/2"
13	28'-10 1/2"	9'-5"	19'-10 1/2"	33'-9"
14	32'- 1/4"	9'-11"	16'-1"	34'-5"
15	33'-7"	10'-10"	14'-2"	34'-9 3/4"
16	35'-11 1/4"	14'-2"	10'-2 1/4"	34'-6 3/4"
17	34'-11 1/2"	16'-3 1/4"	9'-4 3/4"	32'-4"
18	34'- 3/4"	18'-9 1/4"	9'-3"	29'-11 1/4"
19	32'-5"	22'-0"	11'- 1/2"	26'-3"
20	29'-7"	24'-4 1/2"	14'-8 1/4"	22'-3 1/2"
21	27'-8 3/4"	25'-1 3/4"	16'-8 1/2"	20'-5 3/4"
22	26'-0"	26'-0"	18'-8 3/4"	18'-9"
23	24'-6 1/2"	27'-4 1/4"	20'-8 1/2"	16'-10 1/4"
24	23'-6 1/2"	29'- 1/2"	22'-7"	14'-10 1/4"
25	23'-1 1/4"	31'- 1/4"	24'-3 1/4"	12'-10"
26	22'-10"	32'-10 3/4"	26'- 1/4"	10'-10"
27	21'-3"	36'- 1/4"	29'-11 3/4"	7'-2 1/4"
28	18'-5"	37'-9 3/4"	33'-7 1/4"	6'-2 1/4"
29	16'-11 1/4"	37'-1 1/2"	33'-10 1/2"	7'-6 1/4"

A-B	36'-2"
B-C	23'-7"
A-C	43'-2"

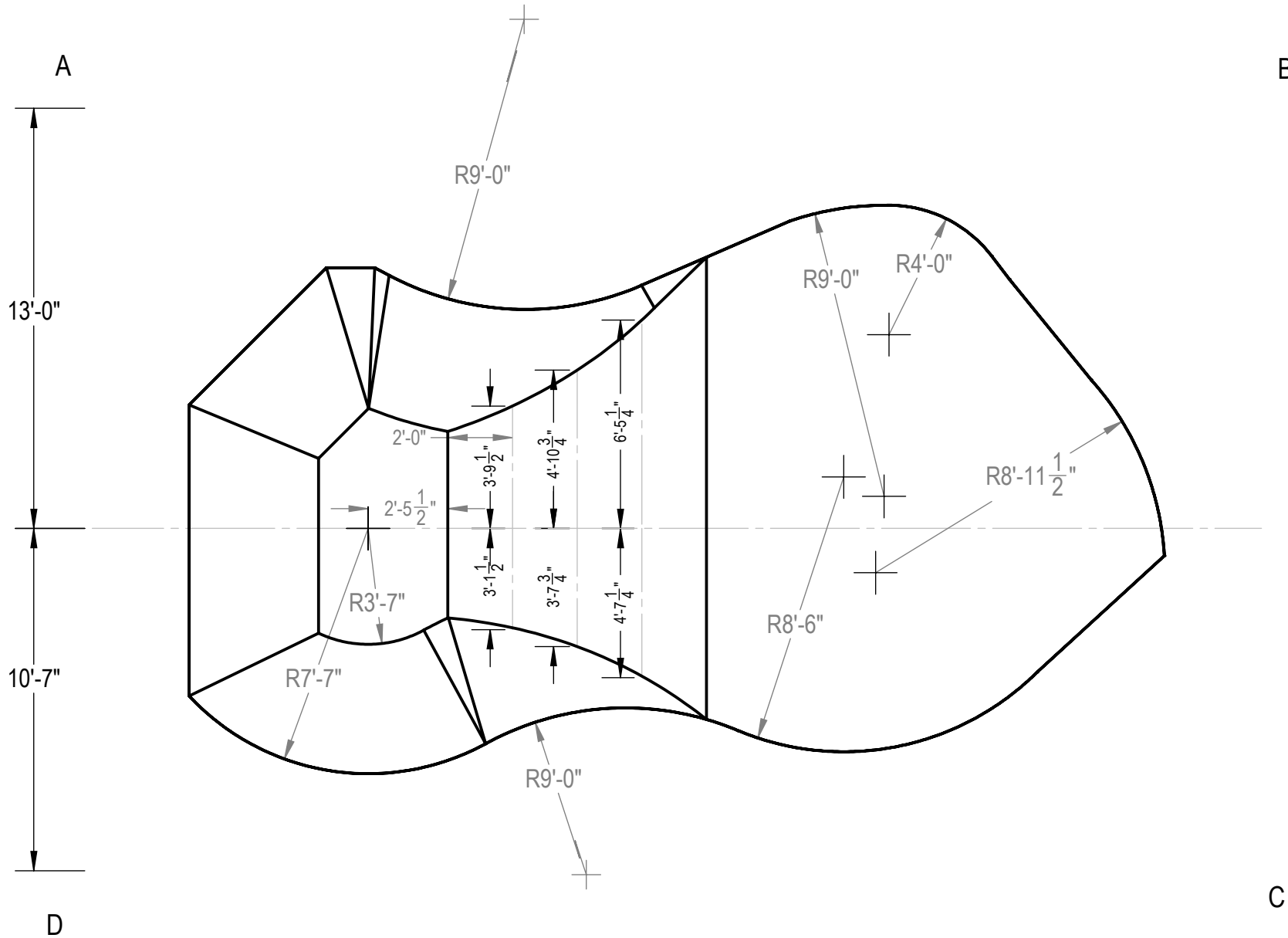


ENGINEERING DRAWING NUMBER:
00005007

WEIGHT: 103374.9 lbs	UNLESS OTHERWISE SPECIFIED DIMENSIONS ARE IN INCHES	DESIGNED BY: THARKENRIDER	CREATION DATE: 1/3/2014
VOLUME: Inch ³		DETAILED BY: JBOSSERDET	DETAILED DATE: 10/5/2012
COLOR:	TOLERANCES DECIMALS: X ± 0.1 XX ± 0.01 XXX ± 0.005 XXXX ± 0.0005	LAST REVISED BY: jbosserdet	LAST REVISED DATE: 1/26/2015
HEAT TREAT:	ANGULAR: X ± 0.5 THIRD ANGLE PROJECTION	MATERIAL:	
FINISH:			
TEXTURE:			

TITLE: HYDRA POOLS
TITLE: LAYOUT, 17'-7" X 30'-2", OASIS, 6' DEEP, 100 SERIES
PART NUMBER: 10906

SCALE: 1:128	SIZE: A
SHEET: 4 OF 6	



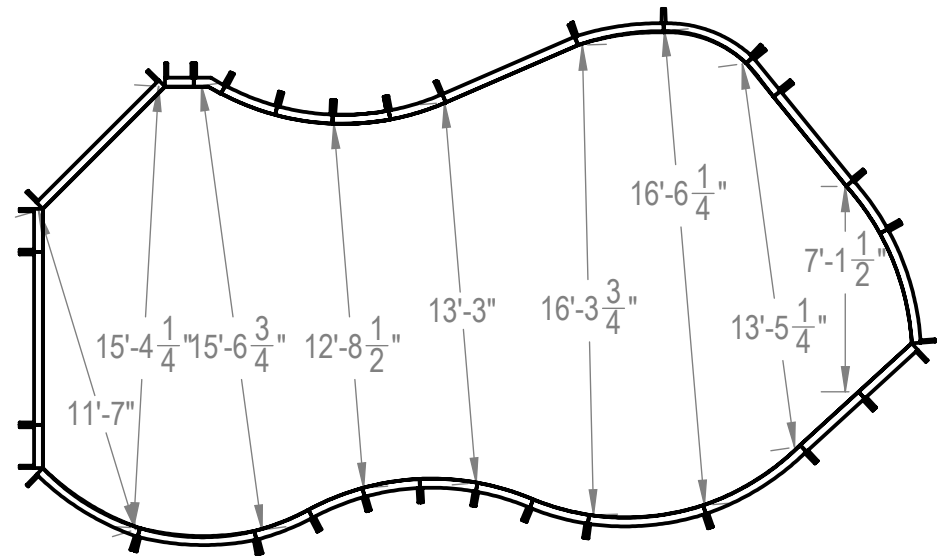
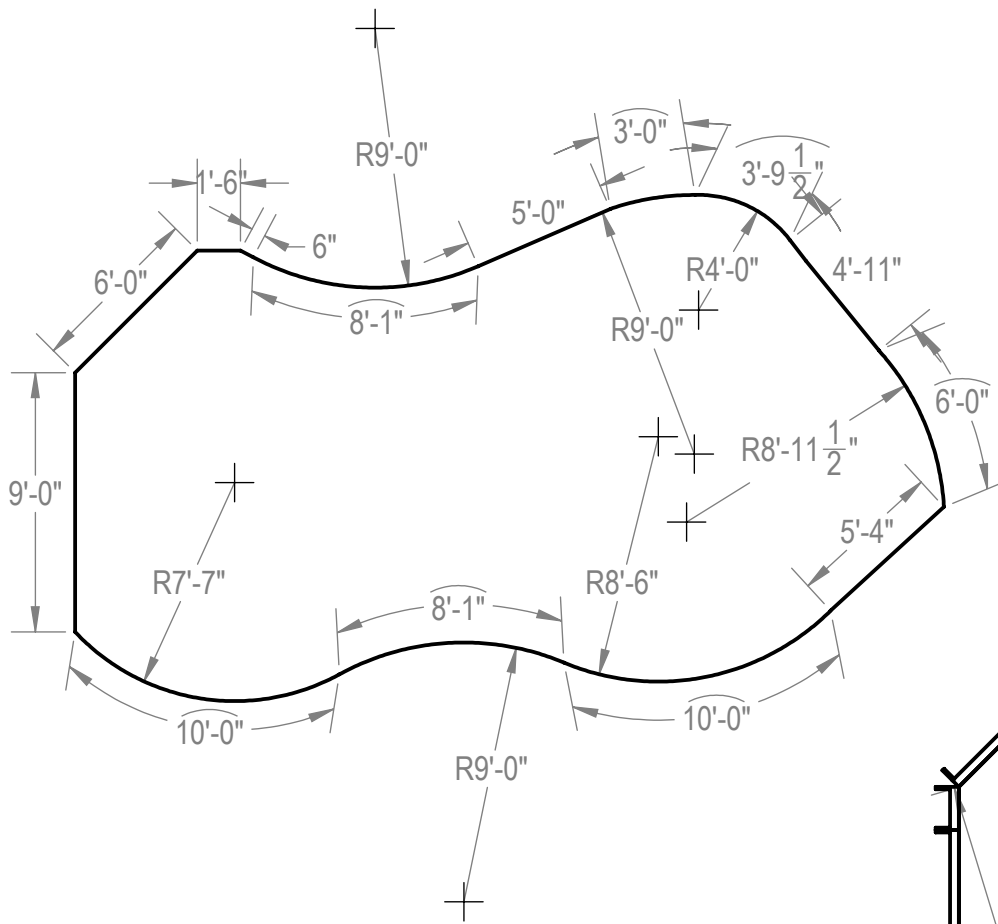
ENGINEERING DRAWING NUMBER:
00005007


WEIGHT:
100931.566 lbs
VOLUME:
2793776.919
Inch³
COLOR:
HEAT TREAT:
FINISH:
TEXTURE:

UNLESS OTHERWISE SPECIFIED
DIMENSIONS ARE IN INCHES
TOLERANCES
DECIMALS: X ± 0.1
 XX ± 0.01
 XXX ± 0.005
 XXXX ± 0.0005
ANGULAR: X ± 0.5
THIRD ANGLE PROJECTION

DESIGNED BY: THARKENRIDER	CREATION DATE: 1/3/2014
DETAILED BY: JBOSSERDET	DETAILED DATE: 10/5/2012
LAST REVISED BY: jbosserdet	LAST REVISED DATE: 1/26/2015
MATERIAL: Water	

HYDRA POOLS	
LAYOUT, 17'-7" X 30'-2", OASIS, 6' DEEP, 100 SERIES	
PART NUMBER: 10906	SCALE: 1:96 SHEET: 5 OF 6 A



ENGINEERING DRAWING NUMBER: 00005007	WEIGHT: 103374.9 lbs VOLUME: Inch ³	UNLESS OTHERWISE SPECIFIED DIMENSIONS ARE IN INCHES TOLERANCES DECIMALS: X ± 0.1 XX ± 0.01 XXX ± 0.005 XXXX ± 0.0005 ANGULAR: X ± 0.5 THIRD ANGLE PROJECTION 	DESIGNED BY: THARKENRIDER	CREATION DATE: 1/3/2014	HYDRA POOLS LAYOUT, 17'-7" X 30'-2", OASIS, 6' DEEP, 100 SERIES	
	COLOR:		DETAILED BY: JBOSSERDET	DETAILED DATE: 10/5/2012		
	HEAT TREAT:		LAST REVISED BY: jbosserdet	LAST REVISED DATE: 1/26/2015		
	FINISH:		MATERIAL:			
	TEXTURE:					
PART NUMBER:					10906	
					SCALE: 1:128	SIZE: A
					SHEET: 6 OF 6	