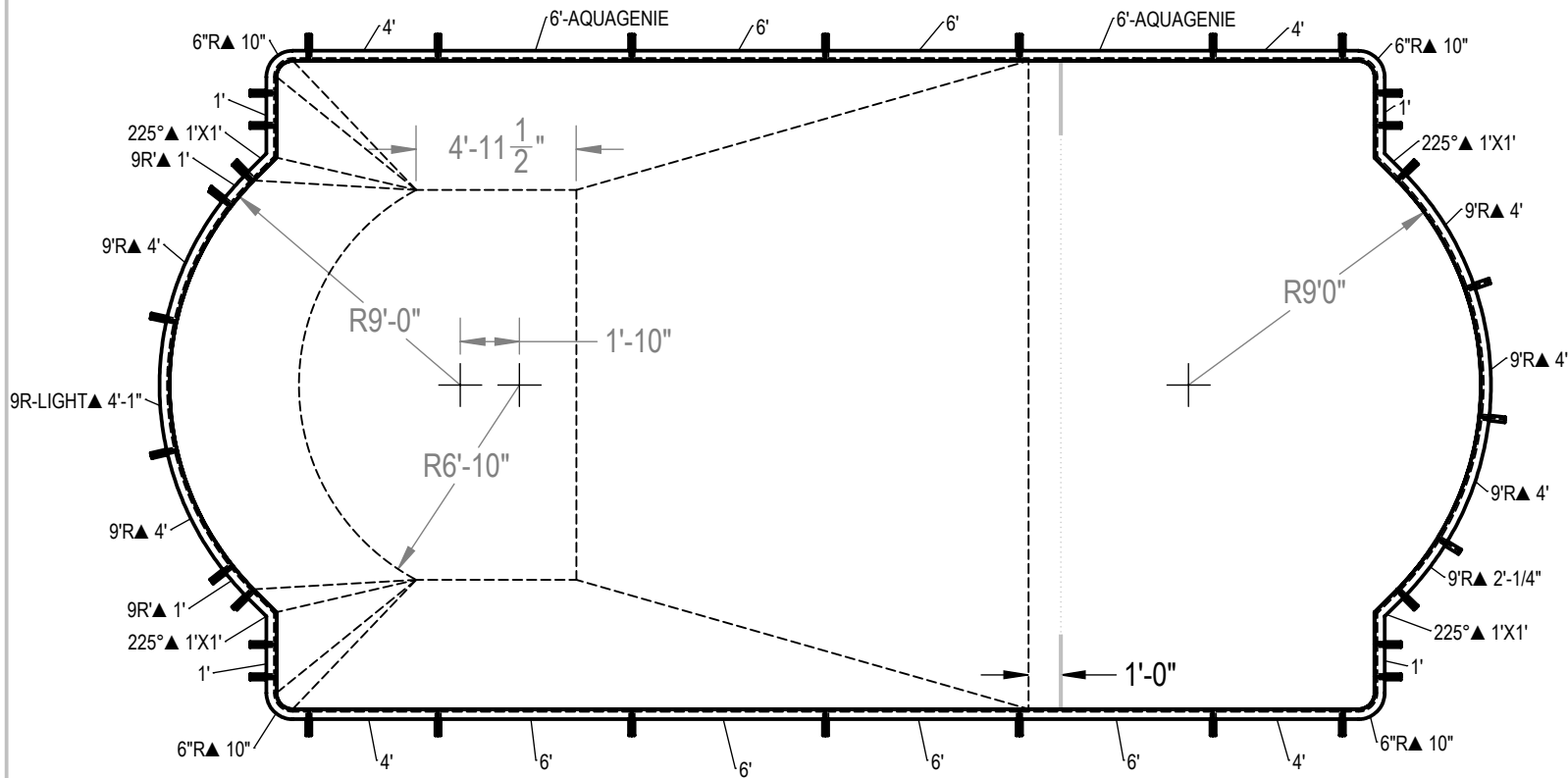


REVISION HISTORY				
REV.	DESCRIPTION	DATE	ECO	BY
A	2014 POLYMER DIG BOOK	01/02/14	NONE	THARKENRIDER
B	CHANGED HP215 PART NUMBER	2/28/2014	NONE	RCOLBOCH
C	UPDATED TAG DATA TO INCLUDE COPING LENGTHS.	1/23/2015	391702	JBOSSERDET



ITEM	FILE NAME	DESCRIPTION	CUSTOMER DRAWING #	VENDOR PART #	QTY.	VENDOR NAME	MATERIAL
1	BRACE	BRACE, 4 TAB, HYDRA - 100 SERIES	HP199	HP199	29	HYDRA POOLS	PS
2	PANEL, 1' LONG	PANEL, 1' LONG - 100 SERIES	HP101	HP101	4	HYDRA POOLS	PS
3	PANEL, 4' LONG	PANEL, 4' LONG - 100 SERIES	HP104	HP104	4	HYDRA POOLS	PS
4	PANEL, 6" IN RADIUS, 6" IN X 6" IN	PANEL, 6" RADIUS - 100 SERIES	HP156	HP156	4	HYDRA POOLS	PS
5	PANEL, 6' LONG	PANEL, 6' LONG - 100 SERIES	HP106	HP106	6	HYDRA POOLS	PS
6	PANEL, 6' LONG WITH AQUA GENIE	PANEL, 6' LONG WITH AQUA GENIE - 100 SERIES	HP106A	HP106A	2	HYDRA POOLS	PS
7	PANEL, 9' RADIUS WITH LIGHT	PANEL, 9' RADIUS WITH LIGHT - 100 SERIES	HP159LL	HP159LL	1	HYDRA POOLS	PS
8	PANEL, 9' RADIUS, 1' LONG	PANEL, 9' RADIUS, 1' LONG - 100 SERIES	HP115	HP115	2	HYDRA POOLS	PS
9	PANEL, 9' RADIUS, 2' LONG	PANEL, 9' RADIUS, 2' LONG, INSERT OVAL - 100 SERIES	HP110	HP110	1	HYDRA POOLS	PS
10	PANEL, 9' RADIUS, 4' LONG	PANEL, 9' RADIUS, 4' LONG - 100 SERIES	HP159	HP159	5	HYDRA POOLS	PS
11	PANEL, L, 225° X 1' X 1'	PANEL, L, 225° X 1' X 1' - 100 SERIES	HP193	HP193	4	HYDRA POOLS	PS

NOTES:

- THESE ARE FINISHED DIMENSIONS READY FOR THE LINER.
- DIMENSIONS ARE FROM INSIDE POOL PANELS.
- THE IDEAL WATER LEVER SHOULD BE TO THE MIDDLE OF THE SKIMMER OPENING(S).

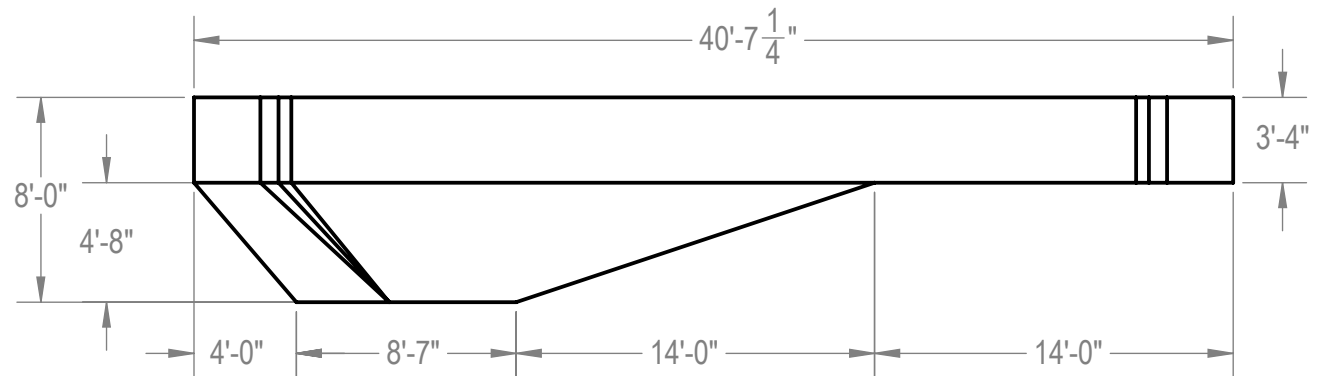
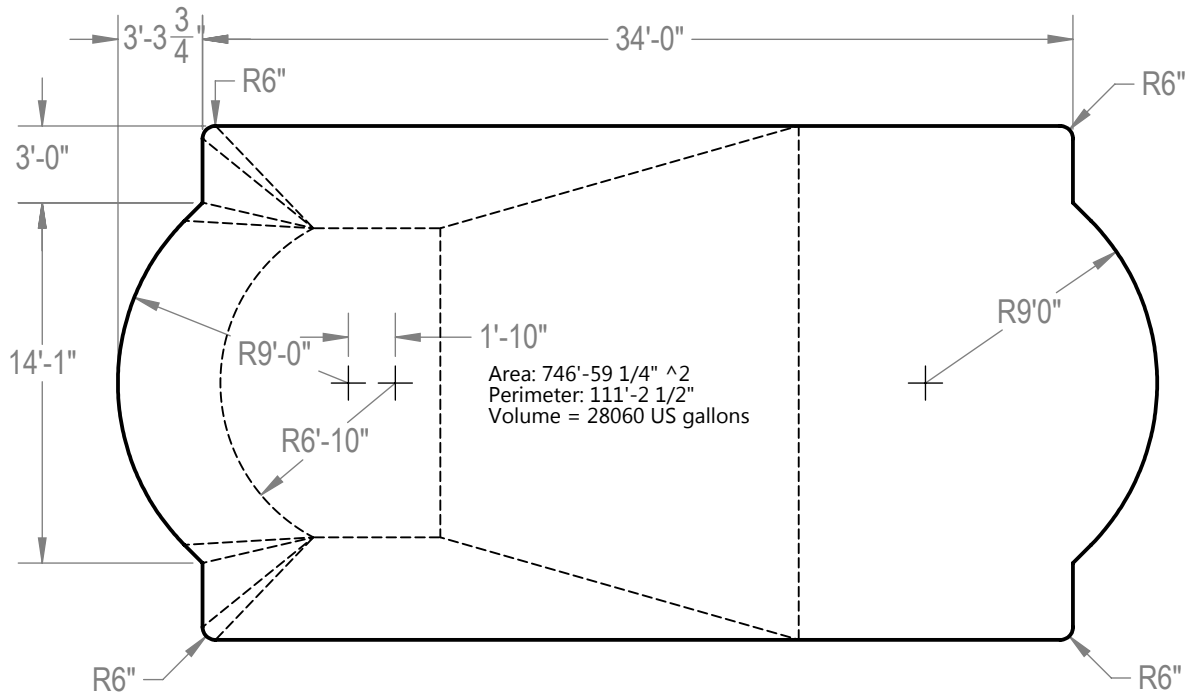
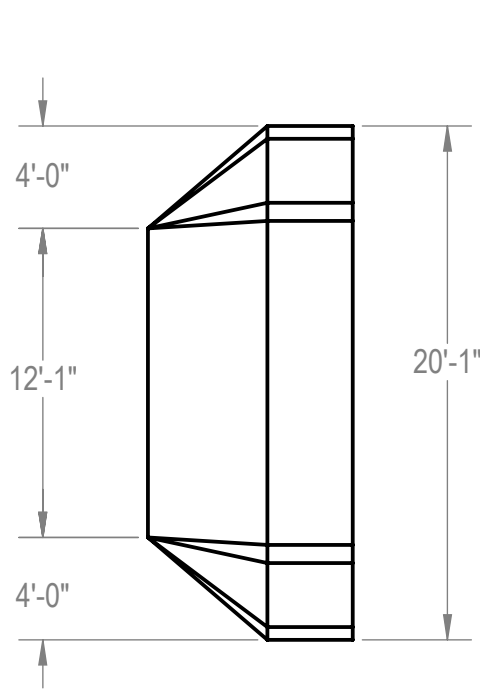
EXCAVATION NOTES:

- ROUGH EXCAVATION SHOULD BE 2' DEEPER IN EACH INSTANCE.
- SOIL TO HAVE MINIMUM BEARING CAPACITY OF 1500 PSF.
- LOCATE TOP OF POOL AT LEAST 6" ABOVE THE SURROUNDING LAND ELEVATION.
- SEE "OVER DIG DETAIL" FOR EXCAVATION AROUND POOL.
- FILL VOIDS UNDER BASE OF PANELS AND TAMP WELL.
- BACK FILL WITH NON-EXPANSIVE MATERIAL.
- ANSI / APSP / ICC-5 FOR RESIDENTIAL POOLS, 2003-2007 BOCA CODE SECTION 421.

IMPORTANT NOTES:

- THIS DOCUMENT IS FOR ILLUSTRATIVE PURPOSES ONLY. THE DEALER OR CONTRACTOR WHO SELLS OR INSTALLS YOUR POOL IS AN INDEPENDENT CONTRACTOR AND IS NOT AN AGENT OF THE MANUFACTURER. THE CONSTRUCTION METHODS ILLUSTRATED HERE ARE SUGGESTIONS AND APPLY ONLY TO NORMAL GROUND CONDITIONS. THERE MAY BE ADDITIONAL PRECAUTIONS AND/OR METHODS OF CONSTRUCTION. PROPER INSTALLATION IS THE RESPONSIBILITY OF THE DEALER/BUILDER/CONTRACTOR.

ENGINEERING DRAWING NUMBER: 00004990	UNLESS OTHERWISE SPECIFIED DIMENSIONS ARE IN INCHES TOLERANCES DECIMALS: X ± .1 XX ± .01 XXX ± .001 XXXX ± .0005	DESIGNED BY: THARKENRIDER DETAILED BY: JBOSSERDET LAST REVISED BY: jbosserdet MATERIAL:	CREATION DATE: 1/2/2014 DETAILED DATE: 10/5/2012 LAST REVISED DATE: 1/23/2015	HYDRA POOLS LAYOUT, 20'-1" X 40'-8", DOUBLE ROMAN, 6" RADIUS, 8" DEEP, 100 SERIES	
	WEIGHT: 237300.7 lbs VOLUME: Inch ³	COLOR: HEAT TREAT: FINISH: TEXTURE:	ANGULAR: X ± 0.5 THIRD ANGLE PROJECTION	TITLE:	PART NUMBER: 10840
	SCALE: 1:128	SHEET: 1 OF 2	SIZE: A		



NOTES:

1. THESE ARE FINISHED DIMENSIONS READY FOR THE LINER.
2. DIMENSIONS ARE FROM INSIDE POOL PANELS.
3. THE IDEAL WATER LEVER SHOULD BE TO THE MIDDLE OF THE SKIMMER OPENING(S).

EXCAVATION NOTES:

4. ROUGH EXCAVATION SHOULD BE 2" DEEPER IN EACH INSTANCE.
5. SOIL TO HAVE MINIMUM BEARING CAPACITY OF 1500 PSF.
6. LOCATE TOP OF POOL AT LEAST 6" ABOVE THE SURROUNDING LAND ELEVATION.
7. SEE "OVER DIG DETAIL" FOR EXCAVATION AROUND POOL.
8. FILL VOIDS UNDER BASE OF PANELS AND TAMP WELL.
9. BACK FILL WITH NON-EXPANSIVE MATERIAL.
10. ANSI / APSP / ICC-5 FOR RESIDENTIAL POOLS, 2003-2007 BOCA CODE SECTION 421.

IMPORTANT NOTES:

11. THIS DOCUMENT IS FOR ILLUSTRATIVE PURPOSES ONLY. THE DEALER OR CONTRACTOR WHO SELLS OR INSTALLS YOUR POOL IS AN INDEPENDENT CONTRACTOR AND IS NOT AN AGENT OF THE MANUFACTURER. THE CONSTRUCTION METHODS ILLUSTRATED HERE ARE SUGGESTIONS AND APPLY ONLY TO NORMAL GROUND CONDITIONS. THERE MAY BE ADDITIONAL PRECAUTIONS AND/OR METHODS OF CONSTRUCTION. PROPER INSTALLATION IS THE RESPONSIBILITY OF THE DEALER/BUILDER/CONTRACTOR.

ENGINEERING DRAWING NUMBER: 00004990	WEIGHT: 234173.973 lbs VOLUME: 6481915.074 Inch ³	UNLESS OTHERWISE SPECIFIED DIMENSIONS ARE IN INCHES TOLERANCES DECIMALS: X ± .1 XX ± .01 XXX ± .001 XXXX ± .0005 ANGULAR: X ± 0.5 THIRD ANGLE PROJECTION	DESIGNED BY: THARKENRIDER	CREATION DATE: 1/2/2014	HYDRA POOLS LAYOUT, 20'-1" X 40'-8", DOUBLE ROMAN, 6" RADIUS, 8" DEEP, 100 SERIES
	COLOR: NA HEAT TREAT: NA FINISH: NA TEXTURE: NA		DETAILED BY: JBOSSERDET	DETAILED DATE: 10/5/2012	
	MATERIAL: Water		LAST REVISED BY: jbosserdet	LAST REVISED DATE: 1/23/2015	
	PART NUMBER: <div style="font-size: 2em; font-weight: bold; text-align: center;">10840</div>		SCALE: 1:128 SHEET: 2 OF 2	SIZE: <div style="font-size: 3em; font-weight: bold; text-align: center;">A</div>	