

**NOTES:**

1. THESE ARE FINISHED DIMENSIONS READY FOR THE LINER.
2. DIMENSIONS ARE FROM INSIDE POOL PANELS.
3. THE IDEAL WATER LEVEL SHOULD BE TO THE MIDDLE OF THE SKIMMER OPENING(S).

**EXCAVATION NOTES:**

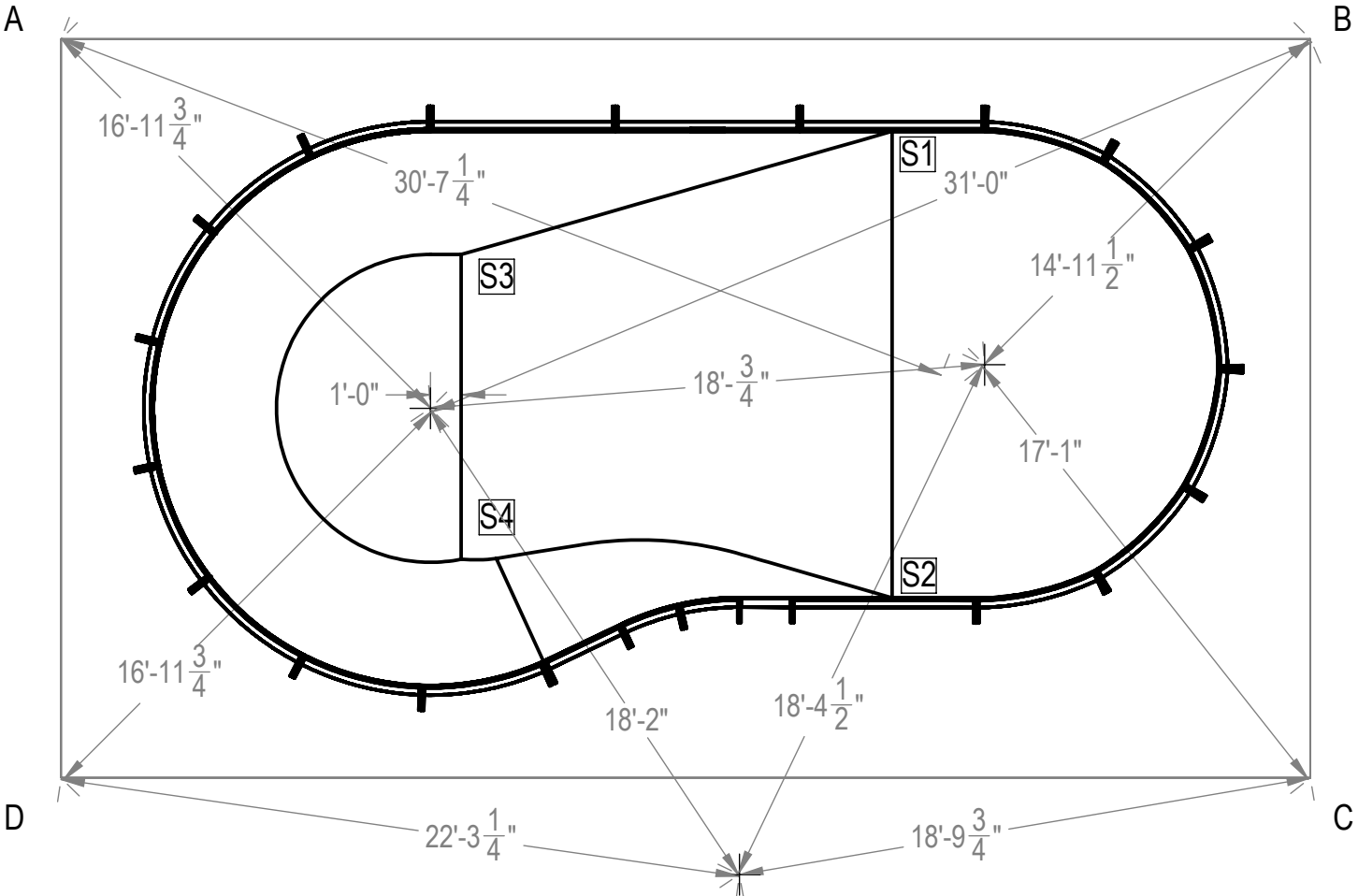
4. ROUGH EXCAVATION SHOULD BE 2" DEEPER IN EACH INSTANCE.
5. SOIL TO HAVE MINIMUM BEARING CAPACITY OF 1500 PSF.
6. LOCATE TOP OF POOL AT LEAST 6" ABOVE THE SURROUNDING LAND ELEVATION.
7. SEE "OVER DIG DETAIL" FOR EXCAVATION AROUND POOL.
8. FILL VOIDS UNDER BASE OF PANELS AND TAMP WELL.
9. BACK FILL WITH NON-EXPANSIVE MATERIAL.
10. ANSI / APSP / ICC-5 FOR RESIDENTIAL POOLS, 2003-2007 BOCA CODE SECTION 421.

**IMPORTANT NOTES:**

11. THIS DOCUMENT IS FOR ILLUSTRATIVE PURPOSES ONLY. THE DEALER OR CONTRACTOR WHO SELLS OR INSTALLS YOUR POOL IS AN INDEPENDENT CONTRACTOR AND IS NOT AN AGENT OF THE MANUFACTURER. THE CONSTRUCTION METHODS ILLUSTRATED HERE ARE SUGGESTIONS AND APPLY ONLY TO NORMAL GROUND CONDITIONS. THERE MAY BE ADDITIONAL PRECAUTIONS AND/OR METHODS OF CONSTRUCTION. PROPER INSTALLATION IS THE RESPONSIBILITY OF THE DEALER/BUILDER/CONTRACTOR.

ENGINEERING DRAWING NUMBER: <b>00004952</b>	WEIGHT: 160122.616 lbs	<b>UNLESS OTHERWISE SPECIFIED</b> DIMENSIONS ARE IN INCHES TOLERANCES DECIMALS: X ± .1 XX ± .01 XXX ± .001 XXXX ± .0005  ANGULAR: X ± 0.5 THIRD ANGLE PROJECTION	DESIGNED BY: <b>THARKENRIDER</b>	CREATION DATE: 12/23/2013	<b>HYDRA POOLS</b>
	VOLUME: 4432179.999 Inch <sup>3</sup>		DETAILED BY: <b>JBOSSERDET</b>	DETAILED DATE: 10/5/2012	
	COLOR:		LAST REVISED BY: <b>jbosserdet</b>	LAST REVISED DATE: 1/23/2015	TITLE: <b>LAYOUT, 18' X 34'-7", KIDNEY, STRAIGHT WALL, LEFT, 8' DEEP, 100 SERIES</b>
	HEAT TREAT: NA		MATERIAL: Water	PART NUMBER: <b>10729</b>	SCALE: 1:128 SHEET: 2 OF 6

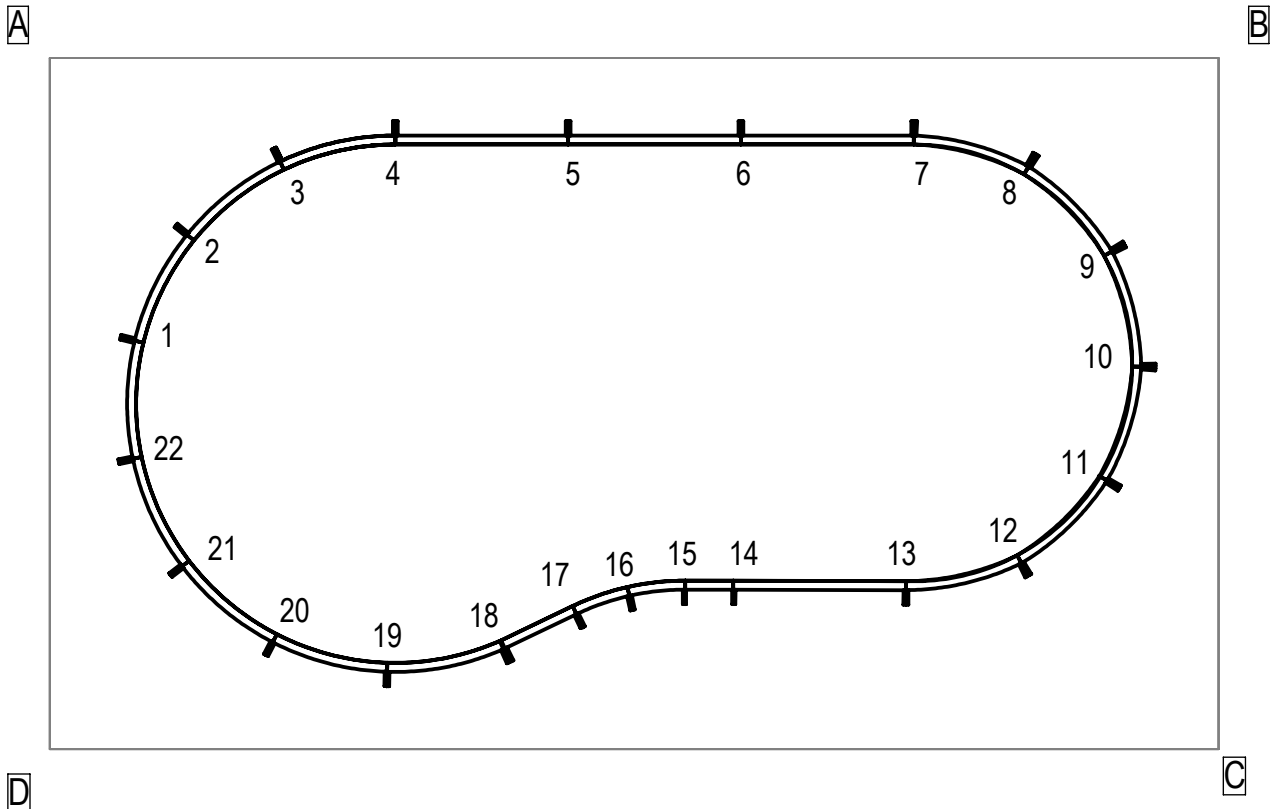
A-S1	27'-2"
B-S1	13'-11"
A-S2	32'-6 1/2"
B-S2	22'-8"
A-S3	14'-9 1/4"
B-S3	28'-5 1/2"
A-S4	21'-3 3/4"
B-S4	32'-4 1/4"



ENGINEERING DRAWING NUMBER: <b>00004952</b>	WEIGHT:	<b>UNLESS OTHERWISE SPECIFIED</b> DIMENSIONS ARE IN INCHES TOLERANCES DECIMALS: X ± .1 XX ± .01 XXX ± .001 XXXX ± .0005  ANGULAR: X ± 0.5 THIRD ANGLE PROJECTION	DESIGNED BY:	CREATION DATE:	<b>HYDRA POOLS</b>  <b>LAYOUT, 18' X 34'-7", KIDNEY,          STRAIGHT WALL, LEFT, 8' DEEP, 100          SERIES</b>
	lbs		RCOLBOCH	7/16/2013	
	VOLUME:		DETAILED BY:	DETAILED DATE:	
	Inch <sup>3</sup>		JBOSSERDET	10/5/2012	
	COLOR:		LAST REVISED BY:	LAST REVISED DATE:	TITLE:
	HEAT TREAT:		jbosserdet	1/23/2015	
FINISH:	MATERIAL:		PART NUMBER:	SCALE:	SIZE:
TEXTURE:			<b>10729</b>	1:128	<b>A</b>
				SHEET:	
				3 OF 6	

	A	B	C	D
1	10'-4 3/4"	38'-7 1/2"	39'-11"	14'-5 3/4"
2	8'- 3/4"	36'-1 1/2"	39'-8 3/4"	18'-4 1/2"
3	9'-0"	32'-8 1/4"	38'-2 1/4"	21'-8 1/2"
4	12'-4 1/2"	28'-9"	35'-5 3/4"	24'-2 1/4"
5	18'-3"	22'-9 1/2"	30'-10"	27'-8"
6	24'-2 1/4"	16'-10 1/4"	26'-9"	31'-10 3/4"
7	30'-1 3/4"	11'-0"	23'-6 1/4"	36'-7 1/2"
8	34'- 3/4"	7'-10 1/2"	21'-1"	39'-3 1/4"
9	37'-3"	7'-11 1/4"	17'-7"	40'-5"
10	39'-1"	11'-1 1/2"	13'-7 1/2"	39'-10 1/2"
11	39'-2 3/4"	15'-1"	10'-4 1/4"	37'-8"
12	37'-9 1/4"	18'-7 1/2"	9'-8 1/2"	34'-3"
13	34'-10"	21'-2"	12'-4"	30'-3 1/2"
14	29'-10 1/2"	24'-9 1/4"	17'-10 1/4"	24'-5 1/4"
15	28'-6 3/4"	25'-11 1/4"	19'-5 1/4"	22'-10"
16	27'-2 1/4"	27'-6 1/2"	21'-3 1/2"	20'-10"
17	26'-3 1/2"	29'-5"	22'-11 3/4"	18'-9 3/4"
18	25'-7"	32'-1"	25'-2 1/2"	16'-1 1/2"
19	24'- 1/2"	35'-8 1/4"	29'- 1/4"	12'-1 1/4"
20	21'-6"	38'-4"	32'-11 1/4"	8'-10"
21	18'-1 1/2"	39'-9 1/4"	36'-4"	8'-1 3/4"
22	14'-2 1/2"	39'-10 1/2"	38'-9"	10'-7 3/4"

A-B	40'-7"
B-C	24'-0"
A-C	47'-1 3/4"

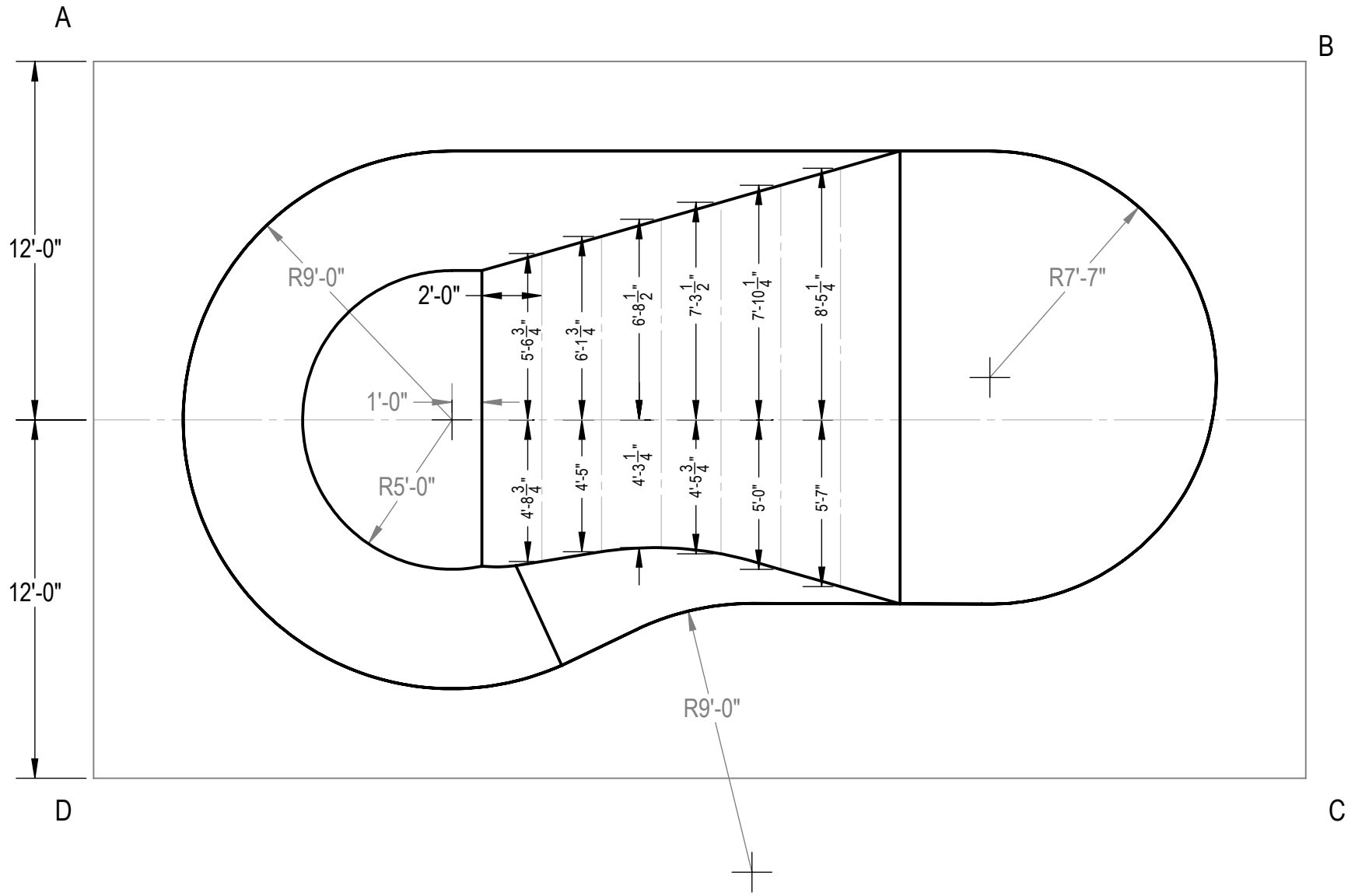


ENGINEERING DRAWING NUMBER:  
00004952

WEIGHT:	<b>UNLESS OTHERWISE SPECIFIED</b> DIMENSIONS ARE IN INCHES TOLERANCES DECIMALS: X ± .1 XX ± .01 XXX ± .001 XXXX ± .0005  ANGULAR: X ± 0.5 THIRD ANGLE PROJECTION	DESIGNED BY:	CREATION DATE:
lbs		RCOLBOCH	7/16/2013
VOLUME:		DETAILED BY:	DETAILED DATE:
Inch <sup>3</sup>		JBOSSERDET	10/5/2012
COLOR:		LAST REVISED BY:	LAST REVISED DATE:
NA		jbosserdet	1/23/2015
HEAT TREAT:		MATERIAL:	
NA			
FINISH:			
NA			
TEXTURE:			
NA			

DESIGNED BY:	RCOLBOCH
DETAILED BY:	JBOSSERDET
LAST REVISED BY:	jbosserdet
MATERIAL:	

<b>HYDRA POOLS</b>	
<b>LAYOUT, 18' X 34'-7", KIDNEY, STRAIGHT WALL, LEFT, 8' DEEP, 100 SERIES</b>	
PART NUMBER:	<b>10729</b>
SCALE:	SIZE:
1:128	A
SHEET:	
4 OF 6	

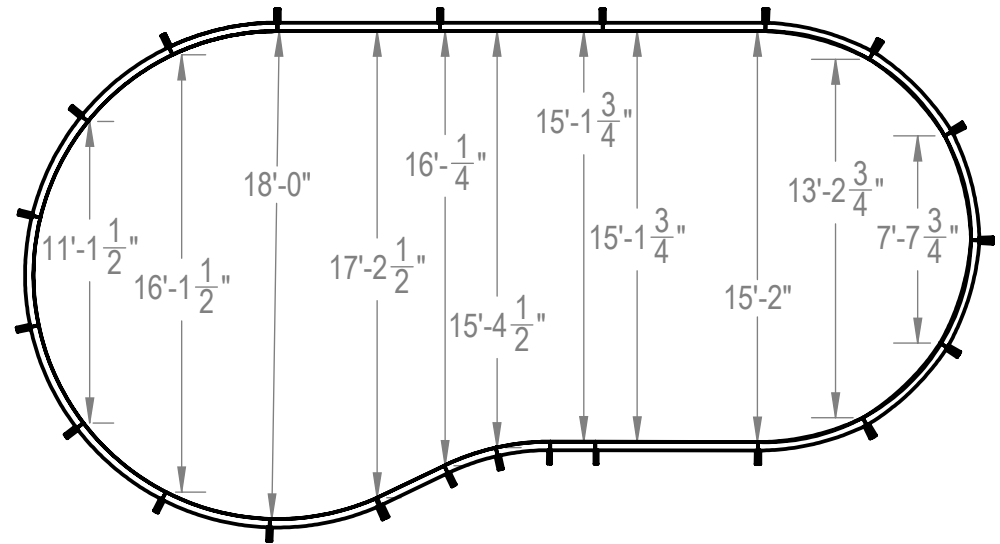
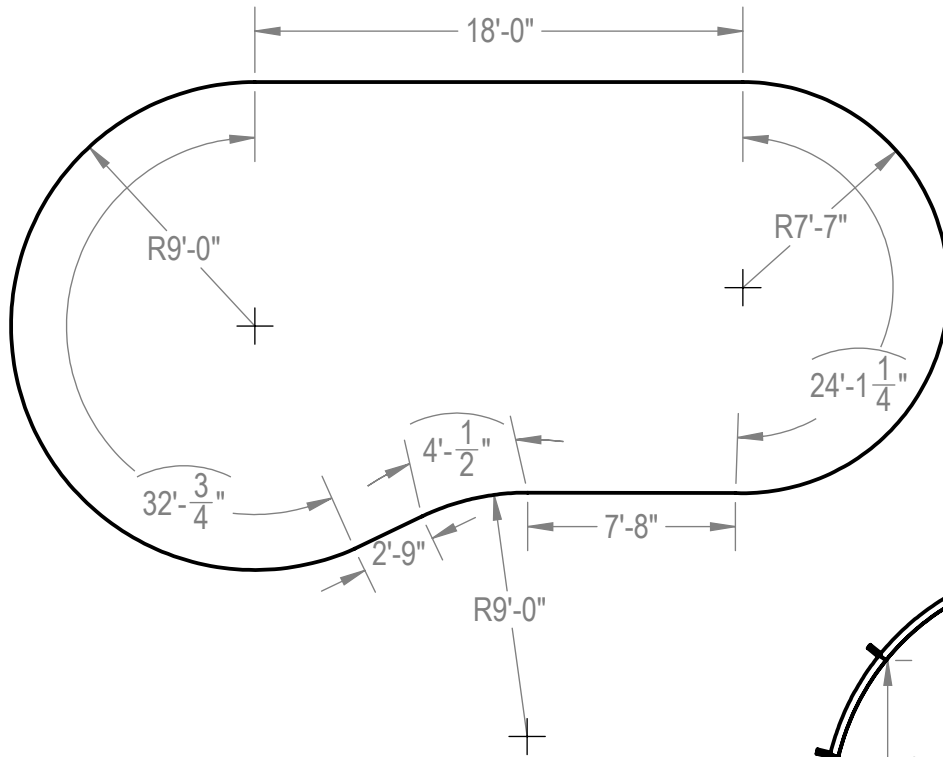


ENGINEERING DRAWING NUMBER:  
**00004952**

**UNLESS OTHERWISE SPECIFIED**  
DIMENSIONS ARE IN INCHES  
TOLERANCES  
DECIMALS: X ± .1  
              XX ± .01  
              XXX ± .001  
              XXXX ± .0005  
ANGULAR: X ± 0.5  
THIRD ANGLE PROJECTION

DESIGNED BY: THARKENRIDER  
CREATION DATE: 12/23/2013  
DETAILED BY: JBOSSERDET  
DETAILED DATE: 10/5/2012  
LAST REVISED BY: jbosserdet  
LAST REVISED DATE: 1/23/2015  
MATERIAL: Water

HYDRA POOLS  
TITLE: LAYOUT, 18' X 34'-7", KIDNEY,  
STRAIGHT WALL, LEFT, 8' DEEP, 100  
SERIES  
PART NUMBER: 10729  
SCALE: 1:128  
SHEET: 5 OF 6  
SIZE: A



ENGINEERING DRAWING NUMBER: <b>00004952</b>	WEIGHT:	<b>UNLESS OTHERWISE SPECIFIED</b> DIMENSIONS ARE IN INCHES TOLERANCES DECIMALS: X ± .1 XX ± .01 XXX ± .001 XXXX ± .0005  ANGULAR: X ± 0.5 THIRD ANGLE PROJECTION 	DESIGNED BY:	CREATION DATE:	<b>HYDRA POOLS</b>  <b>LAYOUT, 18' X 34'-7", KIDNEY,          STRAIGHT WALL, LEFT, 8' DEEP, 100          SERIES</b>
	lbs		RCOLBOCH	7/16/2013	
	VOLUME:		DETAILED BY:	DETAILED DATE:	
	Inch <sup>3</sup>		JBOSSERDET	10/5/2012	
	COLOR:		LAST REVISED BY:	LAST REVISED DATE:	
NA	jbosserdet	1/23/2015	PART NUMBER:	SCALE:	SIZE:
HEAT TREAT:	MATERIAL:		<b>10729</b>	1:128	<b>A</b>
NA				SHEET:	
FINISH:				6 OF 6	
TEXTURE:					
NA					