

HYDRACOVERS

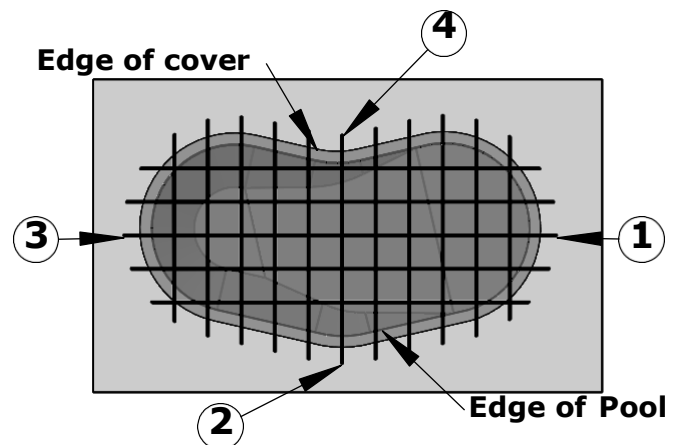
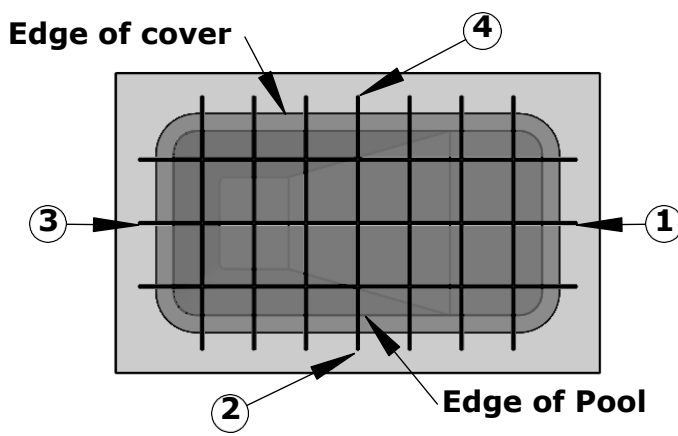
Installation Guide

Installing a Rectangular Cover IN-GROUND COVER INSTALLATION INSTRUCTIONS

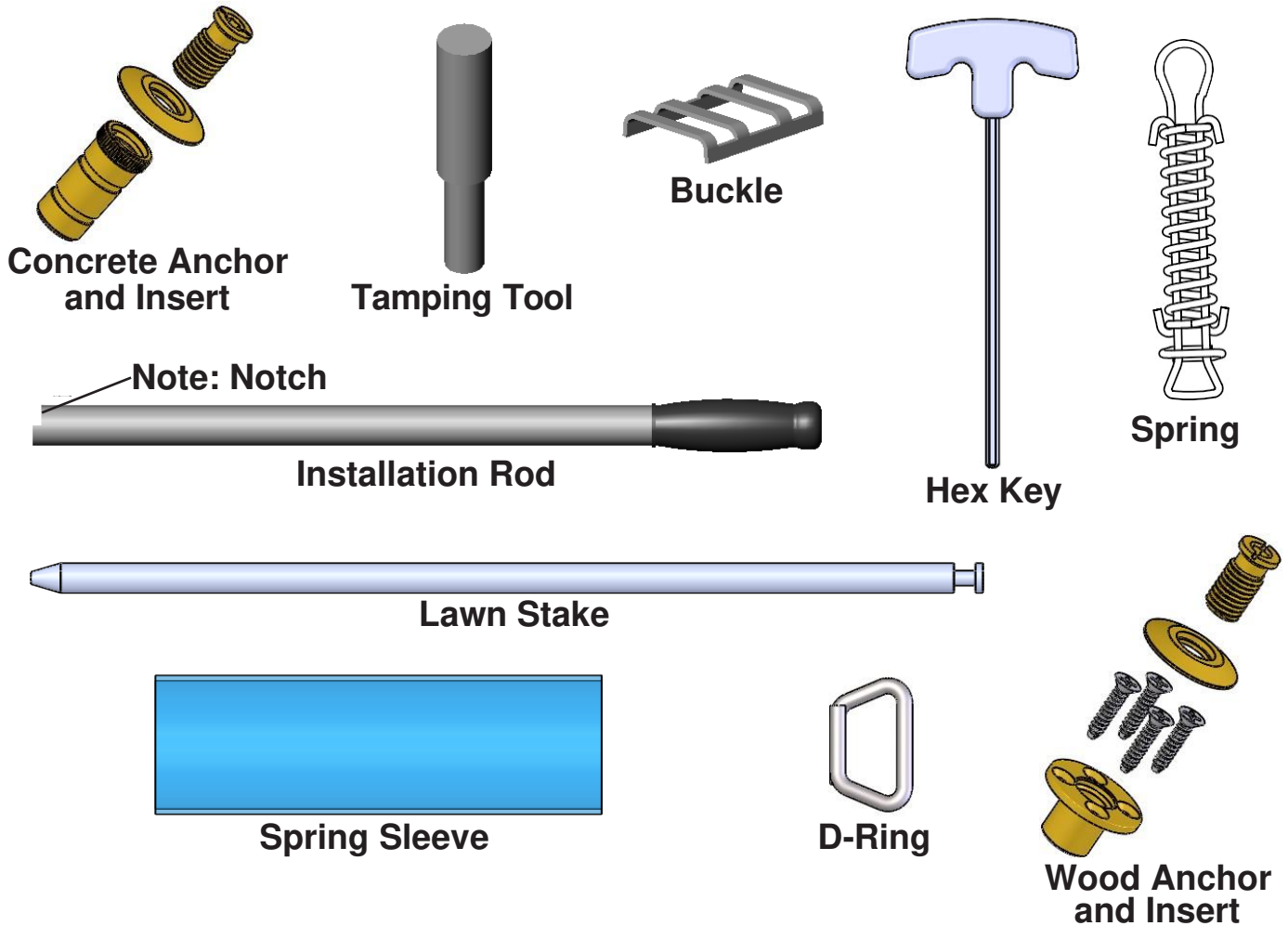
1. Remove all ladders and handrails.
2. Measure the pool and the cover. This will determine the overlap of the cover. Take the difference on width and length and divide by two. The overlap can vary from 10 to 15 inches.
3. Place cover over the pool carefully so you do not snag or damage the cover. The cautionary label should be facing up. Adjust to the overlap determined in Step 1. Use something on the steps to hold the cover in place (buckets of water or bags of sand).
4. Mark the anchor points at the center of each wall. They are located 18 inches from the edge of the cover. Install the anchors. (See anchor section)
5. Attach straps to the springs, then place the springs on the anchors.
6. Continue with the anchor points for the rest of the cover. With all anchors and springs installed, recheck all the anchors and straps to make sure they are secured and adjusted with equal tension.

Installing a Freeform Cover IN-GROUND COVER INSTALLATION INSTRUCTIONS

1. Remove all ladders and handrails.
2. Measure the pool and the cover. This will determine the overlap of the cover. Take the difference on width and length and divide by two. The overlap can vary from 10 to 15 inches.
3. Place cover over the pool carefully so you do not snag or damage the cover. The cautionary label should be facing up. Adjust to the overlap determined in Step 1. Use something on the steps to hold the cover in place (buckets of water or bags of sand).
4. Mark the anchor points as shown below. They are located 18 inches from the edge of the cover. Install anchors, (See anchor section.
5. Attach straps to the springs, then place the springs on the anchors.
6. Continue with the anchor points for the rest of the cover. With all anchors and springs installed, recheck all the anchors and straps to make sure they are secured and adjusted with equal tension.



Included Hardware



Anchor Layout

After the cover has the initial anchors, layout the remaining straps (18" from edge to cover). On rectangles, you can use a chalk line to make sure the anchors are in a straight line.

Installation

Tools Needed:

- Rotary Hammer Drill
- 3/4" Concrete Bit
- Chalk Line
- Hammer
- Goggles / Protective Eyewear

Warning

Always wear goggles or other appropriate eye protection while installing anchors or other pool equipment using power tools.

Concrete Decks

1. Drill about 2-1/4" inches into the deck using a rotary hammer drill with a 3/4" inch masonry bit. Vacuum or flush out the concrete dust in the bottom of the hole.
2. Remove the anchor insert from the anchor. Place the brass anchor into the hole and use the tamper tool to tamp it down carefully until it's flush with the deck. Do not drive the anchor in with the anchor insert in place.
3. Screw the anchor insert into the anchor with the hex key, with around 1/3 of the anchor insert above the deck to secure the spring.

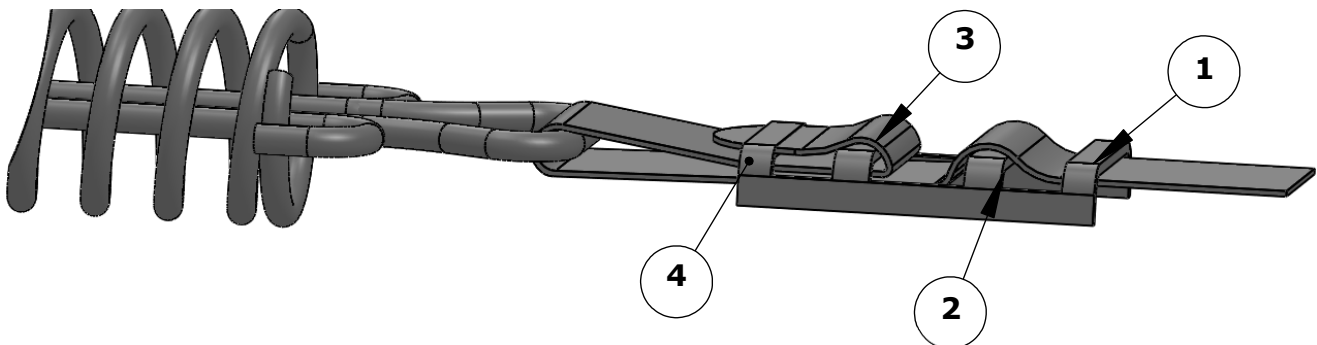


Other Deck Surfaces

1. For Brick, stone (or for wood decks less than 1-5/8") to be installed, you will need a 3/4" I.D. conduit or pipe that is 15" in length. Drill into the deck using a rotary hammer drill with an appropriate size masonry bit. Vacuum or flush out the concrete dust in the bottom of the hole.
2. Remove the brass insert from the anchor. Place the brass anchor into the pipe and, using the block of wood, drive the pipe into the hole and tamp it down carefully until flush with the deck. Do not drive the anchor in with the anchor insert in place.
3. Screw the brass insert into the casing with the hex key, with around 1/3 of the anchor insert above the deck to secure the spring.

Spring W-Buckle Installation

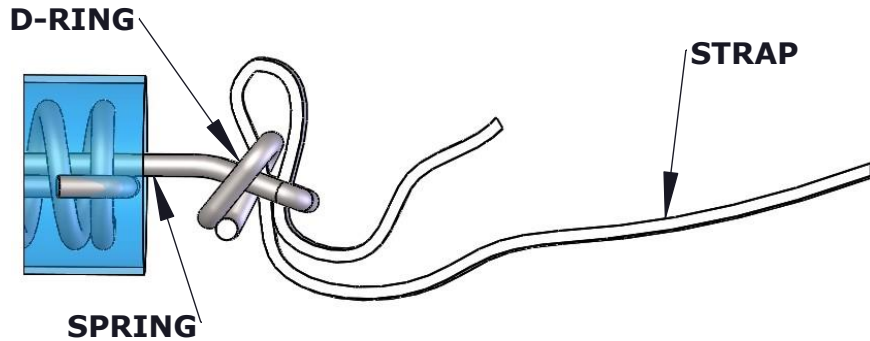
Spring to Strap Attachment



1. Lace strap through #1.
2. Go over #2.
3. Between #2 and #3.
4. Loop around the square end of spring.
5. Back between #2 and #3.
6. Push end underneath #4.

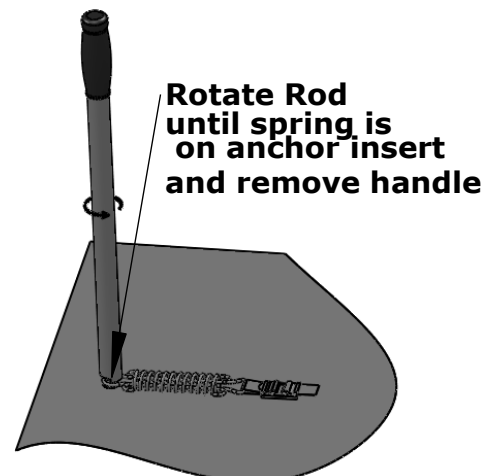
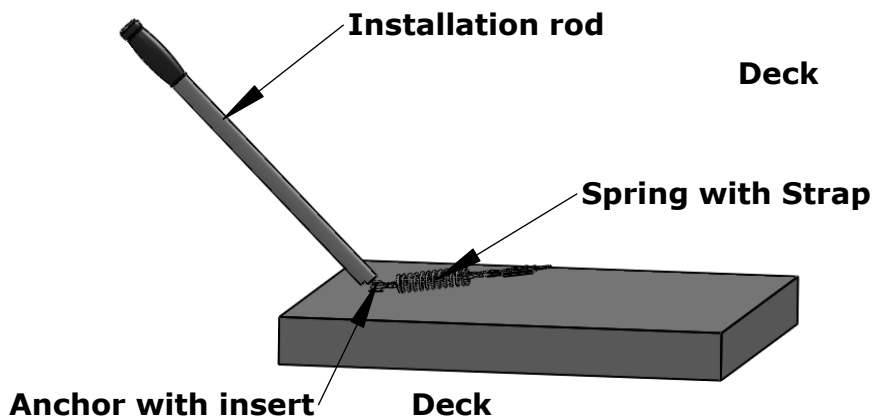
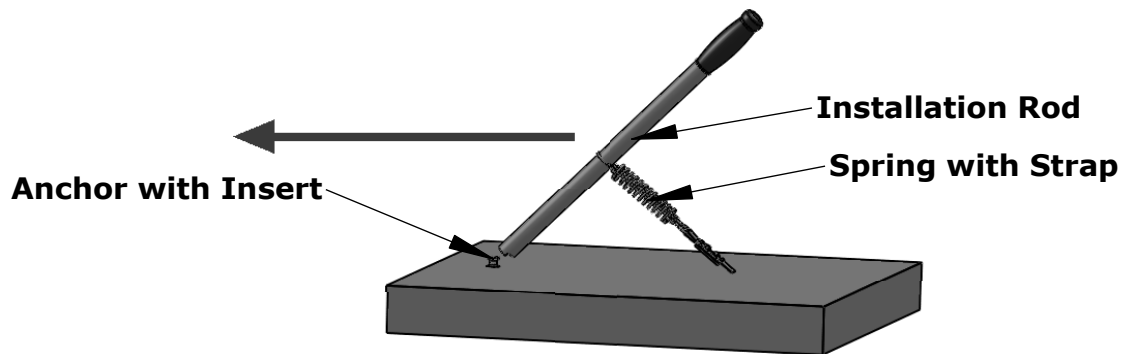
Spring W / D-Ring Installation

Spring to Strap Attachment



Installing Springs on the Anchors

1. Place the installation rod through the round end of the spring with the notch in rod facing away from the cover.
2. Place the end of the rod over the anchor insert.
3. Pivot the rod away from the edge of the cover until the spring slides over the anchor insert.
4. Rotate the installation rod until the rod is free.



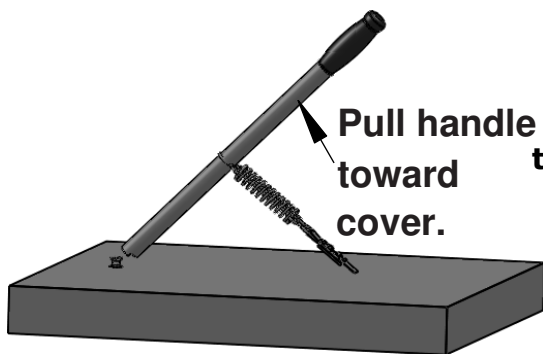
Spring Adjustment

1. The springs should be compressed 50%.
2. After initial installation, recheck the spring tension to make sure it is correct. The cover should fit tightly.

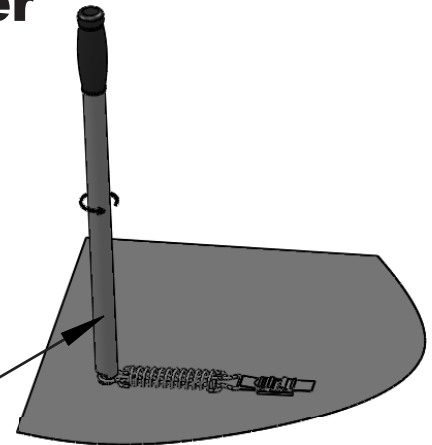
A loose cover can snag and become damaged.

Removing the Cover

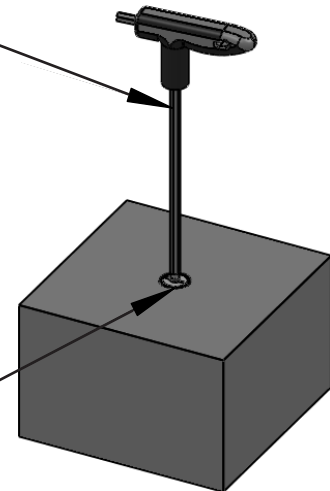
1. Place the installation rod over the spring where it connects to the anchor. Make sure the notch is facing away from the cover.
2. Rotate the installation rod until the spring is over the end of the installation rod.
3. Pull the rod toward the cover so the spring slides up the rod and relieves tension.
4. Using the Hex Key provided rotate the anchor insert until it is flush with the insert.



Insert handle into spring and rotate.



Hex Key



Insert flush with deck.

Maintaining Anchors

For smooth operation of the anchor inserts, it is good practice for each in the spring and fall that they are flushed out to remove any dirt. The brass inserts may also be lightly sprayed with silicone or Teflon lubricant to ensure smooth operation. Do not use any oil or grease!

Storing The Cover

When the cover is removed, it should be cleaned of debris, allowed to dry, folded, and placed in its storage bag. Store the cover in a dry area away from rodents.

Caring For Your Cover

1. Make sure the pool's water level is never allowed to fall below 18" from the main deck level. Allowing a low water level will result in cover and/or spring damage during periods of snow accumulation. This type of damage will not be covered under the warranty.
2. Do not walk on the cover unless there is an emergency situation. It should not be jumped upon like a trampoline. Walking or jumping on the cover could result in damage not covered by the warranty.
3. Proper chemical treatment is necessary when closing the pool for the winter. The chemical levels should not be covered by the warranty. Failure resulting from improper chemical levels will not be covered by the warranty.
4. Strips to protect against abrasion are sewn to the cover to protect against normal coping wear.
5. It is up to the installer to, when necessary, add protective padding to sharp corners or very rough areas of the pool.
6. The cover should be stored in its storage bag when not installed. Any leaves and debris should be cleaned from the cover before storing it. Cleaning should be completed as needed.
7. The cover should be stored in an area free of rodents.
8. Never swim in the pool with the cover when it is partially installed.
9. Check the cover periodically to be sure the cover is secured tightly on the pool. Adjust the straps to achieve the proper tension.
10. Do not drag the cover on decking or over the cover springs. Tears resulting from mishandling will not be covered under the warranty.

Solid Swimming Pool Covers

- Maintaining the water line is important for the longevity of your pool cover.
 - We recommend lowering the water line to roughly 6 inches below the skimmer or tile line.
 - Water may evaporate over time resulting in a water line too low. A low water line will increase stress caused by debris and other loads on your pool cover.
 - Water levels may rise after rains bringing the water line too close to the cover making it unable to drain leaving standing water.
- Cleaning of your pool cover should be done every 3-6 months of use.
 - To clean, wet the pool cover using a low-pressure water source (i.e. garden hose). Then scrub the cover using a pool brush. Last, rinse the pool and remove any standing water.
 - We recommend using only a mild detergent to assist with cleaning as other cleaning agents may make significant changes to pool chemical balances.
 - Large Debris or Standing water should not be allowed to remain on the cover for extended periods.
- Your pool cover should be checked periodically for rips or tears. These will affect the integrity of the cover and pose a safety risk.
- Pool covers should not be used to cover the pool within the first 2 hours of applying chemicals. The pool cover should also be opened twice a month to allow chlorine byproducts that will build up in the air between the cover and the water out into the air.
- Store the cover in a way to prevent environmental damage.
 - Clean and dry the cover prior to storage to prevent mold growth.
 - Store in a container that will prevent animals from nesting and damaging the cover.
 - Do not drag the cover during the removal process to prevent rips or tears.

Caring For Your Cover

Mesh Swimming Pool Covers

- Maintaining the water line is important for the longevity of your pool cover.
 - We recommend lowering the water line to roughly 12"-18" inches below the skimmer or tile line.
 - Water may evaporate over time resulting in a water line too low. A low water line will increase stress caused by debris and other loads on your pool cover.
 - Water levels may rise after rains bringing the water line too close to the cover making it unable to drain leaving standing water.
- Cleaning of your pool cover should be done every 3-6 months of use, or as needed.
 - To clean, wet the pool cover using a low-pressure water source (i.e. garden hose). Then scrub the cover using a pool brush. Last, rinse the pool and remove any standing water.
 - We recommend using only a mild detergent to assist with cleaning as other cleaning agents may make significant changes to pool chemical balances.
 - Large Debris or Standing water should not be allowed to remain on the cover for extended periods.
- Your pool cover should be checked periodically for rips or tears. These will affect the integrity of the cover and pose a safety risk.
- Pool covers should not be used to cover the pool within the first 2 hours of applying chemicals. The pool cover should also be opened twice a month to allow chlorine byproducts that will build up in the air between the cover and the water out into the air.
- Spring tension should be checked periodically. If the cover is too loose the mesh will be unable to drain properly.
- Store the cover in a way to prevent environmental damage.
 - Clean and dry the cover prior to storage to prevent mold growth.
 - Store in a container that will prevent animals from nesting and damaging the cover.
 - Do not drag the cover during the removal process to prevent rips or tears.

COVER MUST STAY CLEAN FOR PROPER DRAINAGE

Hydra Covers
www.hydrapools.com
1-800-894-4876

THE INFORMATION CONTAINED IN THIS DOCUMENT IS THE SOLE PROPERTY OF HYDRA POOLS. ANY REPRODUCTION IN PART OR WHOLE WITHOUT WRITTEN PERMISSION OF HYDRA POOLS IS PROHIBITED.

HYDRA POOLS, INC.
LIMITED, PRO-RATED, REPLACEMENT WARRANTY
POOL COVERS

Hydra Pools, Inc. (hereafter "Hydra"), pursuant to the terms, conditions, and limitations herein, provides herewith to "You," the original retail customer, the following Limited, Pro-rated, Replacement Warranty (hereafter the "Limited Warranty") as to the sewn for its Hydra mesh or solid swimming pool covers, and no further. For any such pool cover seam having failed due exclusively to defect in Hydra sewing within the limits set below depending on the type of cover from the date of purchase, Hydra at its option may repair the pool cover or replace it pursuant to the prorated purchase costs to You set forth below.

A precondition to any claim under this Limited Warranty is registration by You of the mesh or solid pool cover purchase online at Hydra's website www.hydrapools.com within sixty (60) days of purchase.

This Limited Warranty is only for defect due to Hydra's sewing of the pool cover seams in an un-workmanlike manner, at the time sewn, and does not include failures of pool cover materials or seam failures due to other causes, including but not limited to, acts of God, misuse or abuse, improper installation, improper maintenance, excess load (such as form persons, property, wind, water, hail, snow, and/or ice), negligence of others, accident, installation in violation of local codes or ordinances, and pool chemical misuse or abuse.

This warranty does not cover failures, defects, malfunctions, or complaints resulting from failure to properly install, operate or maintain the product in accordance with Hydra Pools' published installation, operation and/or maintenance instructions. Hydra Pools Solid and Mesh covers require cover pumps. Failure to use cover pumps to control the buildup of water on the cover under all conditions shall void this warranty.

This Limited Warranty is given only to You, the original retail customer of this pool cover, and is non-transferrable to any subsequent owner or user of this pool cover.

This Limited Warranty does not cover mesh or solid pool cover materials, irregularities in said materials, and fading by any cause. Materials used in the fabrication of the pool cover are not manufactured by Hydra and are not covered by this Limited Warranty.

This Limited Warranty does not cover the cost of removal or reinstallation of the pool cover (or replacement cover); claims for personal injury, death, loss use, or damage to property; or incidental, consequential, or exemplary damages. This Limited Warranty does not cover damages or expenses related to the alleged damage to pool-side coping or the replacing of water or chemicals in the pool.

If a Hydra pool mesh or solid cover should fail during the Limited Warranty period as a result of a problem covered by this Limited Warranty, You must send a letter to Hydra's Customer Service Department, at the address below, identifying (1) the date of Your purchase, (2) the date of Your on-line registration of Your warranty with Hydra, (3) the nature of the failure of the pool cover seam, (4) the date of the failure of Your pool cover seam, and (5) the corresponding serial number identifying the pool cover. Within thirty (30) days thereafter, Hydra will provide to You further instructions concerning repair, at Hydra Pool's election, or replacement with the prorated costs to You as set forth below.

If replacement is required hereunder, the charge to You shall be determined by the following schedule based on the percentage of the retail price of a like pool cover at the time of the seam failure, determined by the number of years from the date of Your purchase.

THIS LIMITED WARRANTY IS PROVIDED TO YOU *IN LIEU* OF ALL OTHER WARRANTIES, EXPRESSED OR IMPLIED. HYDRA EXPRESSLY DISCLAIMS THE IMPLIED WARRANTIES OF MERCHANTABILITY AND FITNESS FOR A PARTICULAR PURPOSE. HYDRA'S FINANCIAL LIABILITY TO YOU IS LIMITED TO REPLACEMENT OF THE POOL COVER, PURSUANT TO THE ABOVE PRORATED SCHEDULE, AND IN NO EVENT WILL HYDRA BE OBLIGATED TO YOU, UNDER ANY THEORY (STATUTORY, CONTRACT, OR TORT) FOR ANY AMOUNT IN EXCESS OF THE COST OF YOUR POOL COVER. HYDRA NEITHER ASSUMES NOR AUTHORIZES ANY OTHER PERSON OR ENTITY TO ASSUME FOR IT ANY OTHER WARRANTY OR LIABILITY IN CONNECTION WITH THIS HYDRA POOL COVER. THERE ARE NO WARRANTIES OTHER THAN AS SET FORTH HEREIN. This Limited Warranty shall apply only within the boundaries of the continental United States and is VOID in all other locations. This Limited Warranty is governed by the laws of the state of Tennessee. All disputes not resolved under this Limited Warranty outlined above and not barred by applicable statutes of limitation or otherwise barred by law, including but not limited to the terms of the Limited Warranty, shall be resolved by binding arbitration per T. C. A. §29-5-101, *et. seq.*, and as may be controlled by the Federal Arbitration Act, 9 U.S.C. §1 *et. seq.*, This arbitration shall be in lieu of any civil litigation in any court and in lieu of any trial by jury. Any provision of this Limited Warranty found to be unenforceable under the laws of any jurisdiction shall be deemed stricken from this Limited Warranty with all other provisions remaining in full force and effect.

Hydra Pools, Inc.
Customer Service Department
543 South Main Street
Sweetwater, Tennessee 37874

**HYDRA POOLS, INC.
LIMITED, PRO-RATED, REPLACEMENT WARRANTY
POOL COVERS**

98 Sun Shade Mesh-20 Year Limited Pro-Rated Warranty

WITHIN ONE (1) YEAR NO CHARGE TO YOU
After 1 year, 50% of the replacement cost
After 2 years, 53% of the replacement cost
After 3 years, 56% of the replacement cost
After 4 years, 58% of the replacement cost
After 5 years, 61% of the replacement cost
After 6 years, 64% of the replacement cost
After 7 years, 66% of the replacement cost
After 8 years, 69% of the replacement cost
After 9 years, 72% of the replacement cost
After 10 years, 74% of the replacement cost
After 11 years, 77% of the replacement cost
After 12 years, 79% of the replacement cost
After 13 years, 82% of the replacement cost
After 14 years, 85% of the replacement cost
After 15 years, 87% of the replacement cost
After 16 years, 90% of the replacement cost
After 17 years, 93% of the replacement cost
After 18 years, 95% of the replacement cost
After 19 years, but no longer than 20 years,
98% of the replacement cost

12 oz Solid-20 Year Limited Pro-Rated Warranty

WITHIN ONE (1) YEAR NO CHARGE TO YOU
After 1 year, 50% of the replacement cost
After 2 years, 53% of the replacement cost
After 3 years, 56% of the replacement cost
After 4 years, 58% of the replacement cost
After 5 years, 61% of the replacement cost
After 6 years, 64% of the replacement cost
After 7 years, 66% of the replacement cost
After 8 years, 69% of the replacement cost
After 9 years, 72% of the replacement cost
After 10 years, 74% of the replacement cost
After 11 years, 77% of the replacement cost
After 12 years, 79% of the replacement cost
After 13 years, 82% of the replacement cost
After 14 years, 85% of the replacement cost
After 15 years, 87% of the replacement cost
After 16 years, 90% of the replacement cost
After 17 years, 93% of the replacement cost
After 18 years, 95% of the replacement cost
After 19 years, but no longer than 20 years,
98% of the replacement cost

Serial #

Register Your Warranty On-Line at:
www.hydrapools.com