

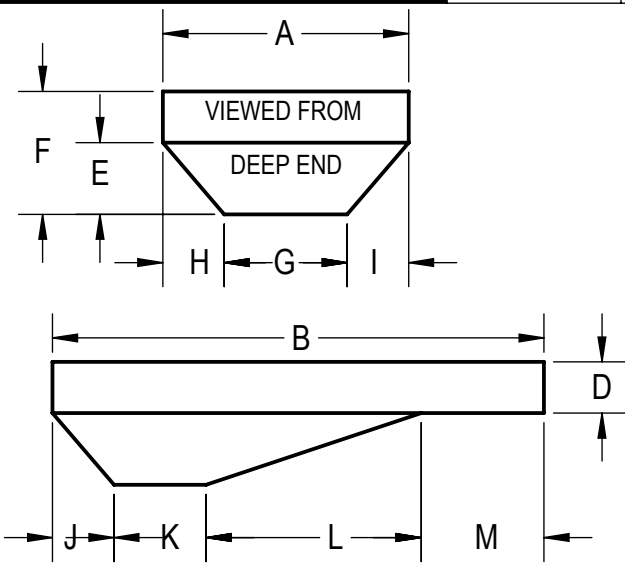
22' X 43' MARTINIQUE LEFT 6"R

REVISION HISTORY

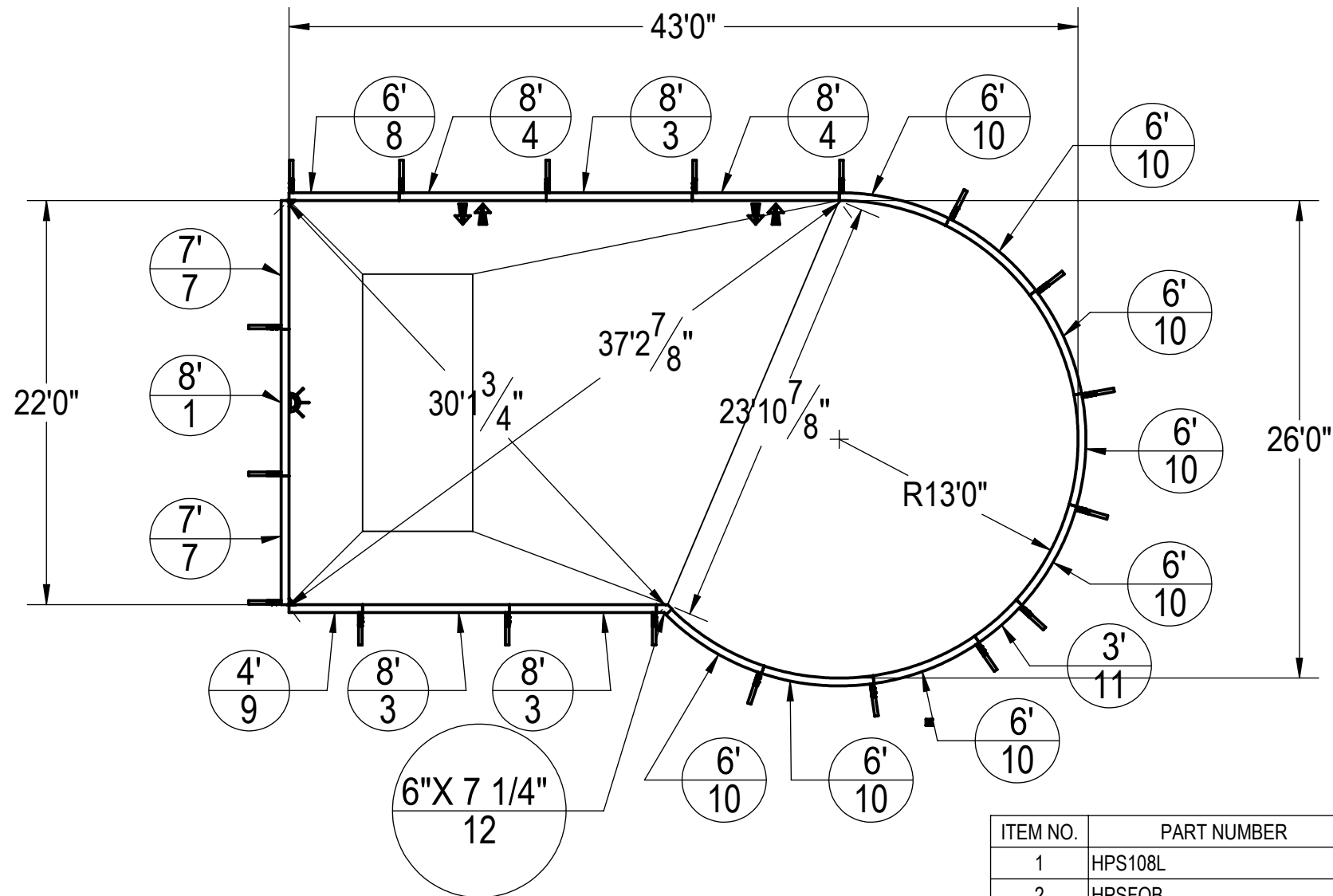
REV.	DESCRIPTION	DATE	STATUS	ECO	BY

DIMENSIONS

SQ FOOT	1017	PERIMETER	123'11"	GALLONS	35675
---------	------	-----------	---------	---------	-------



A	22'	K	6'0"
B	43'	L	15'3"
D	3'4"	M	17'9"
E	4'-8"	M2	
F	8'0"	T	
G	14'0"	S	
H	4'0"	N	
I	4'0"	P	
J	4'0"	U	



ITEM NO.	PART NUMBER	DESCRIPTION	QTY.
1	HPS108L	8' LIGHT PANEL	1
2	HPSFOB	STEEL BRACE	19
3	HPSD108P	8' PLAIN PANEL	3
4	HPSD108AG	8' AG PANEL	2
5	HPS6CA	6" CORNER ASSEMBLY	2
6	HPS1916	BOLT PACK 50 PCS	5
7	HPS107P	7' PLAIN PANEL	2
8	HPSD106P	6' PLAIN PANEL	1
9	HPS104P	4' PLAIN PANEL	1
10	HPSD13R6	13'R 6' PLAIN PANEL	8
11	HPSD13R3	13'R 3' PLAIN PANEL	1
12	HPSD6X7224	6"X 7 1/4" 224°	1

NOTES:

1. THESE ARE FINISHED DIMENSIONS READY FOR THE LINER.
2. DIMENSIONS ARE FROM INSIDE POOL PANELS.
3. THE IDEAL WATER LEVEL SHOULD BE TO THE MIDDLE OF THE SKIMMER OPENING(S).

EXCAVATION NOTES:

4. ROUGH EXCAVATION SHOULD BE 2" DEEPER IN EACH INSTANCE.
5. SOIL TO HAVE MINIMUM BEARING CAPACITY OF 2000 PSF.
6. LOCATE TOP OF POOL AT LEAST 6" ABOVE THE SURROUNDING LAND ELEVATION.
7. SEE "OVER DIG DETAIL" FOR EXCAVATION AROUND POOL.
8. FILL VOIDS UNDER BASE OF PANELS AND TAMP WELL.
9. BACK FILL WITH NON-EXPANSIVE MATERIAL.

IMPORTANT NOTES:

THIS DOCUMENT IS FOR ILLUSTRATIVE PURPOSES ONLY. THE DEALER OR CONTRACTOR WHO SELLS OR INSTALLS YOUR POOL IS AN INDEPENDENT CONTRACTOR AND IS NOT AN AGENT OF THE MANUFACTURER. THE CONSTRUCTION METHODS ILLUSTRATED HERE ARE SUGGESTIONS AND APPLY ONLY TO NORMAL GROUND CONDITIONS. THERE MAY BE ADDITIONAL PRECAUTIONS AND/OR METHODS OF CONSTRUCTION. PROPER INSTALLATION IS THE RESPONSIBILITY OF THE DEALER/BUILDER/CONTRACTOR.

PANEL LEGEND

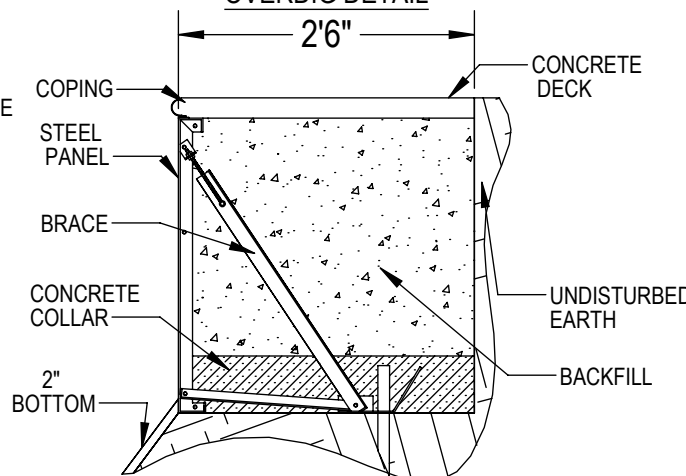


NO DIVING WARNING:
ATTENTION DEALER/BUILDER:
 It is your responsibility to ensure the safety package provided is delivered to the pool owner and that the "NO DIVING" labels are properly installed.



"NO DIVING" WARNING LABELS MUST BE INSTALLED IN NO DIVING AREAS ACCORDING TO ANSI SPECIFICATIONS

OVERDIG DETAIL



ENGINEERING DRAWING NUMBER:
00000866

WEIGHT: 86.515 lbs
 VOLUME: 2394.720 Inch³
 UNLESS OTHERWISE SPECIFIED
 DIMENSIONS ARE IN INCHES
 TOLERANCES
 DECIMALS: X ± 0.1
 XX ± 0.01
 XXX ± 0.005
 XXXX ± 0.0005
 ANGULAR: X ± 0.5
 THIRD ANGLE PROJECTION

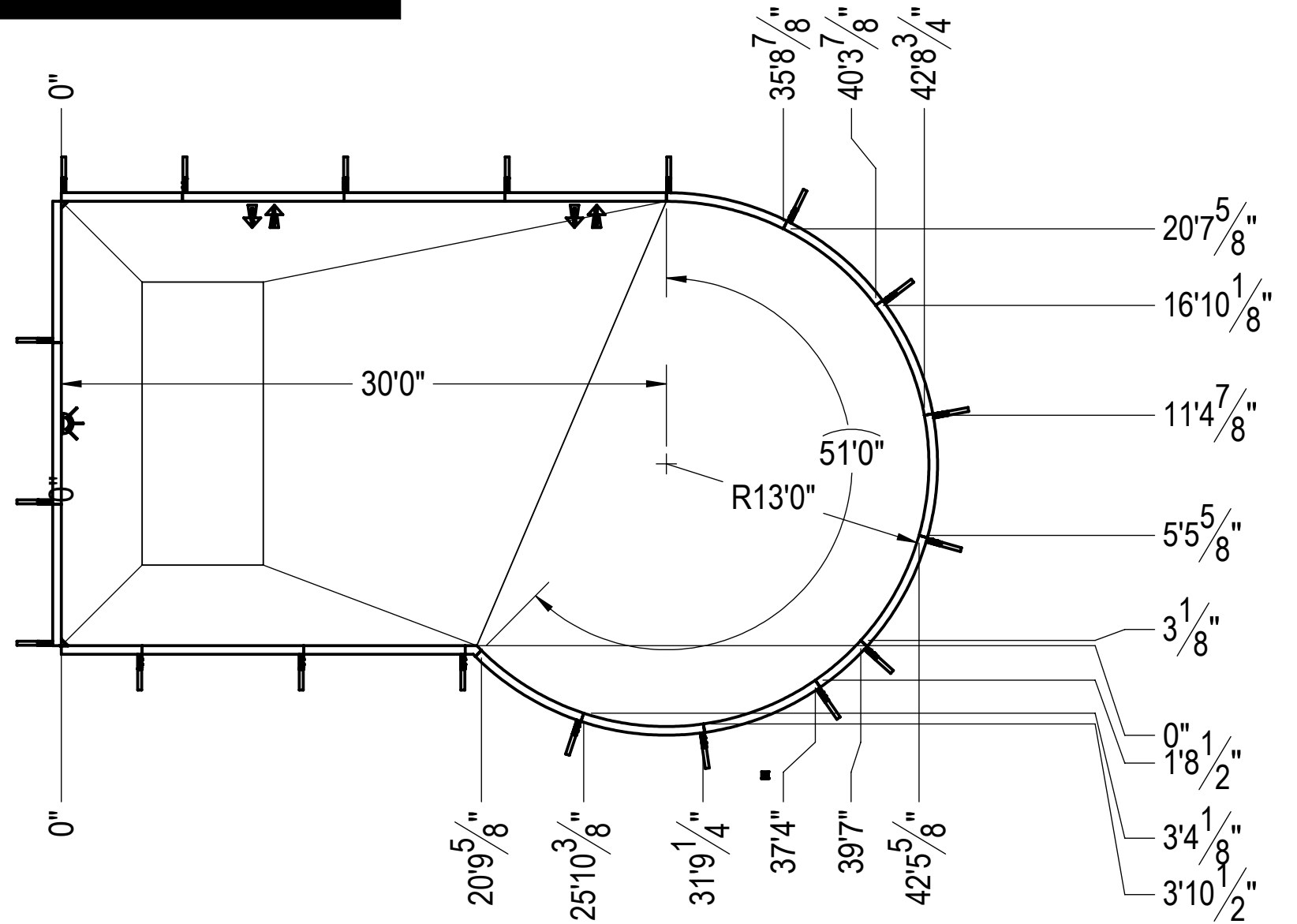
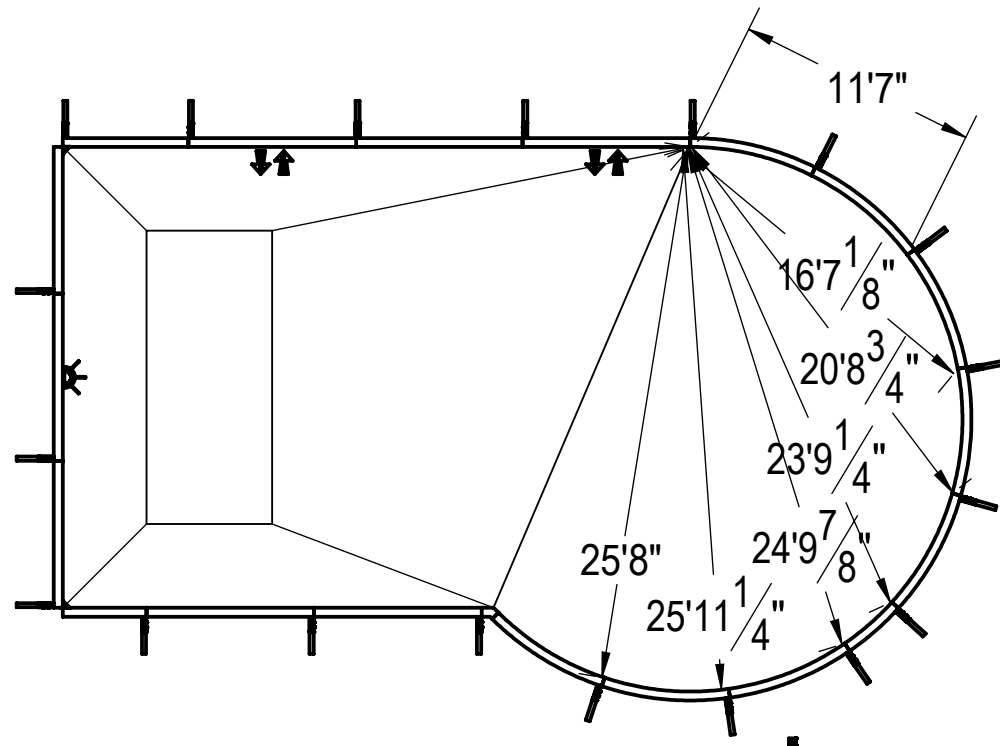
DESIGNED BY: RCOLBOCH
 DETAILED BY: RCOLBOCH
 LAST REVISED BY: rcolboch
 MATERIAL: Material <not specified>

CREATION DATE: 10/17/2012
 DETAILED DATE: 8/30/2012
 LAST REVISED DATE: 11/16/2012
SAMSON STEEL BY HYDRA POOLS
22' X 43' MARTINIQUE LEFT 6"R
 PART NUMBER: **60394**
 SCALE: 1:96
 SHEET: 1 OF 1
B

93

22' X 43' MARTINIQUE LEFT 6"R

REVISION HISTORY		DATE	STATUS	ECO	BY
REV.	DESCRIPTION				



NOTES:

1. THESE ARE FINISHED DIMENSIONS READY FOR THE LINER.
2. DIMENSIONS ARE FROM INSIDE POOL PANELS.
3. THE IDEAL WATER LEVEL SHOULD BE TO THE MIDDLE OF THE SKIMMER OPENING(S).

EXCAVATION NOTES:

4. ROUGH EXCAVATION SHOULD BE 2" DEEPER IN EACH INSTANCE.
5. SOIL TO HAVE MINIMUM BEARING CAPACITY OF 2000 PSF.
6. LOCATE TOP OF POOL AT LEAST 6" ABOVE THE SURROUNDING LAND ELEVATION.
7. SEE "OVER DIG DETAIL" FOR EXCAVATION AROUND POOL.
8. FILL VOIDS UNDER BASE OF PANELS AND TAMP WELL.
9. BACK FILL WITH NON-EXPANSIVE MATERIAL.

IMPORTANT NOTES:

THIS DOCUMENT IS FOR ILLUSTRATIVE PURPOSES ONLY. THE DEALER OR CONTRACTOR WHO SELLS OR INSTALLS YOUR POOL IS AN INDEPENDENT CONTRACTOR AND IS NOT AN AGENT OF THE MANUFACTURER. THE CONSTRUCTION METHODS ILLUSTRATED HERE ARE SUGGESTIONS AND APPLY ONLY TO NORMAL GROUND CONDITIONS. THERE MAY BE ADDITIONAL PRECAUTIONS AND/OR METHODS OF CONSTRUCTION. PROPER INSTALLATION IS THE RESPONSIBILITY OF THE DEALER/BUILDER/CONTRACTOR.

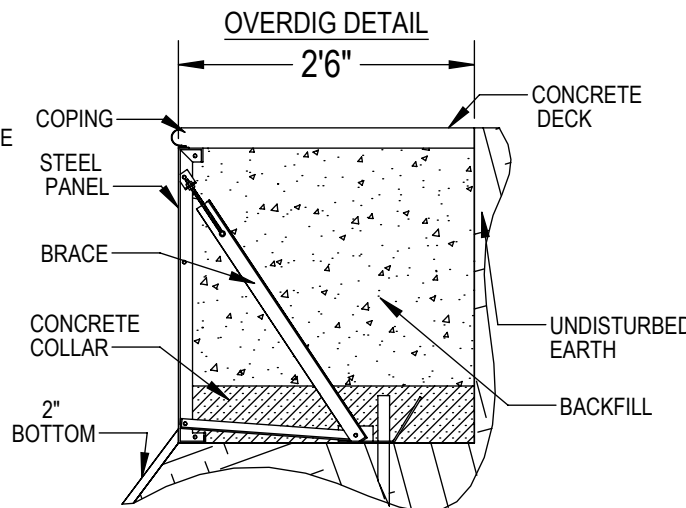
PANEL LEGEND



NO DIVING WARNING:
ATTENTION DEALER/BUILDER:
It is your responsibility to ensure the safety package provided is delivered to the pool owner and that the "NO DIVING" labels are properly installed.



"NO DIVING" WARNING LABELS MUST BE INSTALLED IN NO DIVING AREAS ACCORDING TO ANSI SPECIFICATIONS



ENGINEERING DRAWING NUMBER: 00000866	WEIGHT: 86.515 lbs	UNLESS OTHERWISE SPECIFIED DIMENSIONS ARE IN INCHES TOLERANCES DECIMALS: X ± 0.1 XX ± 0.01 XXX ± 0.005 XXXX ± 0.0005	DESIGNED BY: RCOLBOCH	CREATION DATE: 10/17/2012	TITLE: SAMSON STEEL BY HYDRA POOLS 22' X 43' MARTINIQUE LEFT 6"R
	VOLUME: 2394.720 Inch ³		DETAILED BY: Rcolboch	DETAILED DATE: 8/30/2012	
	COLOR: NA	HEAT TREAT: NA	LAST REVISED BY: rcolboch	LAST REVISED DATE: 11/16/2012	
	FINISH: NA	TEXTURE: NA	MATERIAL: Material <not specified>		
PART NUMBER: 60394A					SCALE: 1:96
					SIZE: B

93A