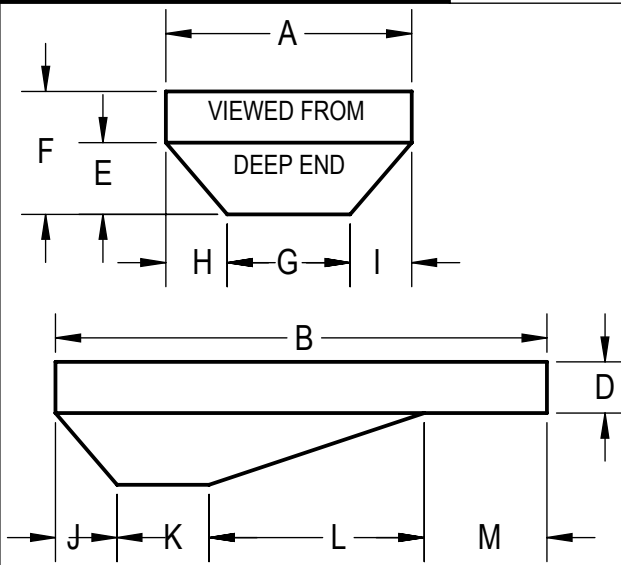


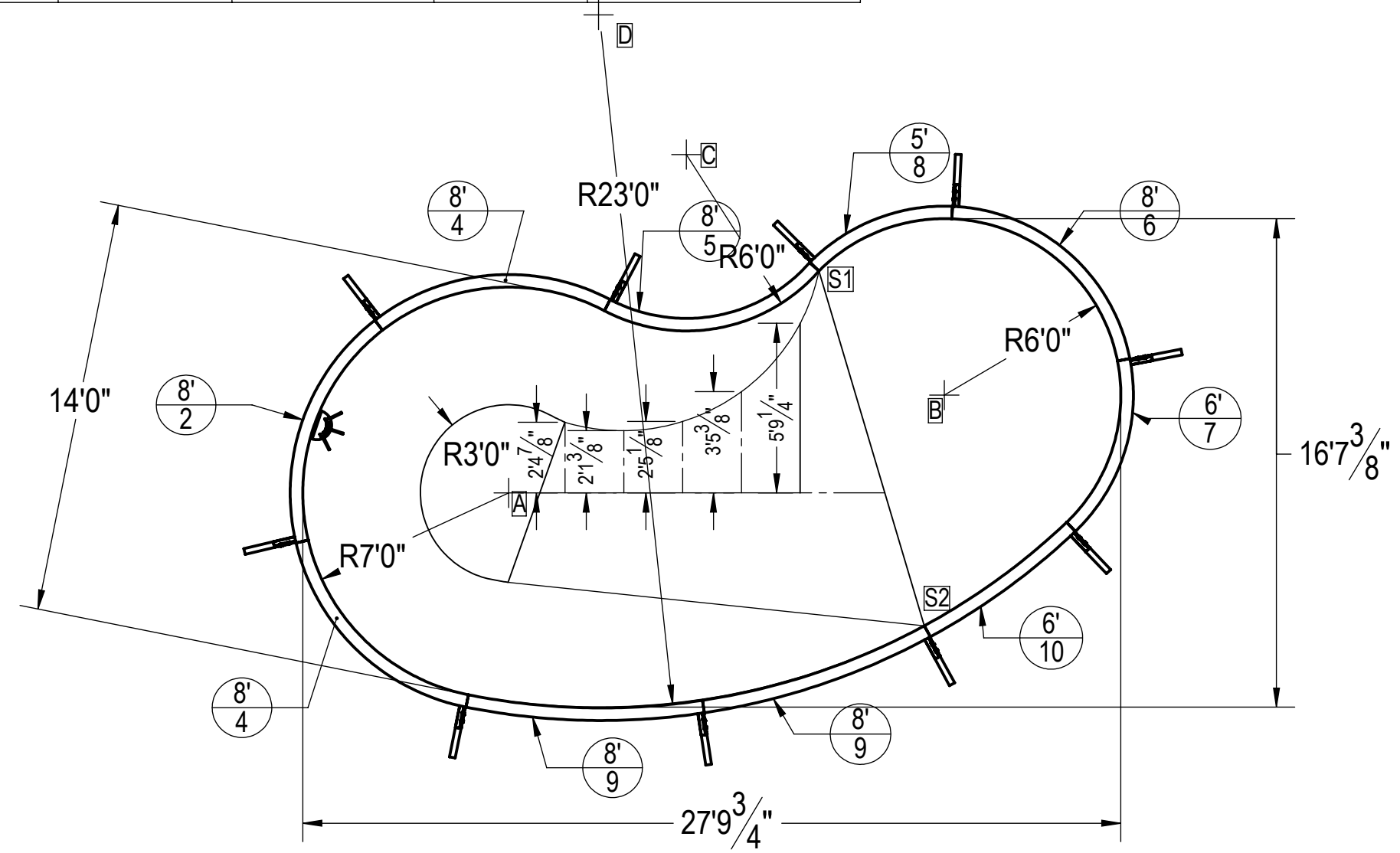
# 14' X 27'10" KIDNEY RIGHT

REVISION HISTORY					
REV.	DESCRIPTION	DATE	STATUS	ECO	BY

DIMENSIONS	SQ FOOT	393	PERIMETER	73'	GALLONS	10974
------------	---------	-----	-----------	-----	---------	-------



A	14'	K	4'0"
B	27'-9 3/4"	L	11'8 3/4"
D	3'4"	M	8' 1"
E	2'-8"	M2	
F	6'0"	T	
G	6'0"	S	
H	4'0"	N	
I	4'0"	P	
J	4'0"	U	



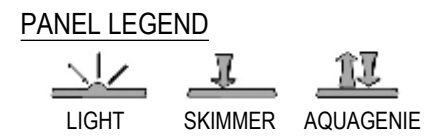
A-B	15'-2 1/4"
A-C	13'-0"
A-D	16'-6 1/2"
B-C	11'-11 7/8"
B-D	17'-5 3/4"
A-S1	12'-11 5/8"
A-S2	14'-10 1/8"
B-S1	6'-0"
B-S2	7'-10 1/8"

ITEM NO.	PART NUMBER	DESCRIPTION	QTY.
2	HPSD7R8L	7'R 8' LIGHT PANEL	1
3	HPSFOB	STEEL BRACE	10
4	HPSD7R8	7'R 8' PLAIN PANEL	2
5	HPSD6RR8	6'R 8' REVERSE PANEL	1
6	HPSD6R8	6'R 8' PLAIN PANEL	1
7	HPSD6R6	6'R 6' PLAIN PANEL	1
8	HPS6DR5	6'R 5' PLAIN PANEL	1
9	HPSD23R8	23'R 8' PLAIN PANEL	2
10	HPS23R6	23'R 6' PLAIN PANEL	1

**NOTES:**  
 1. THESE ARE FINISHED DIMENSIONS READY FOR THE LINER.  
 2. DIMENSIONS ARE FROM INSIDE POOL PANELS.  
 3. THE IDEAL WATER LEVEL SHOULD BE TO THE MIDDLE OF THE SKIMMER OPENING(S).

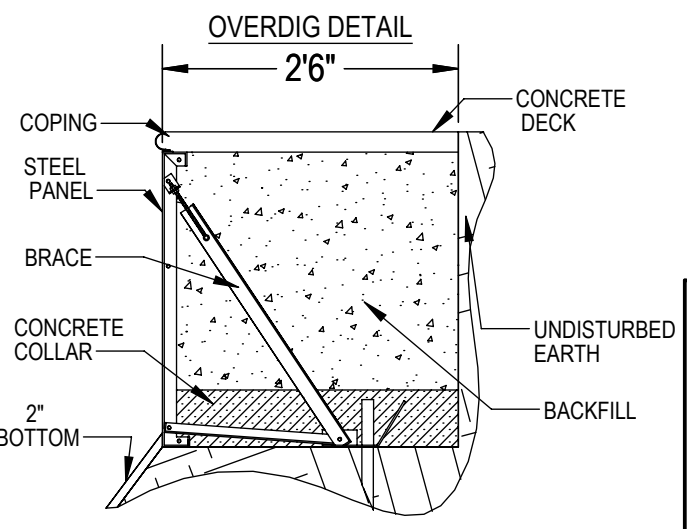
**EXCAVATION NOTES:**  
 4. ROUGH EXCAVATION SHOULD BE 2" DEEPER IN EACH INSTANCE.  
 5. SOIL TO HAVE MINIMUM BEARING CAPACITY OF 2000 PSF.  
 6. LOCATE TOP OF POOL AT LEAST 6" ABOVE THE SURROUNDING LAND ELEVATION.  
 7. SEE "OVER DIG DETAIL" FOR EXCAVATION AROUND POOL.  
 8. FILL VOIDS UNDER BASE OF PANELS AND TAMP WELL.  
 9. BACK FILL WITH NON-EXPANSIVE MATERIAL.

**IMPORTANT NOTES:**  
 THIS DOCUMENT IS FOR ILLUSTRATIVE PURPOSES ONLY. THE DEALER OR CONTRACTOR WHO SELLS OR INSTALLS YOUR POOL IS AN INDEPENDENT CONTRACTOR AND IS NOT AN AGENT OF THE MANUFACTURER. THE CONSTRUCTION METHODS ILLUSTRATED HERE ARE SUGGESTIONS AND APPLY ONLY TO NORMAL GROUND CONDITIONS. THERE MAY BE ADDITIONAL PRECAUTIONS AND/OR METHODS OF CONSTRUCTION. PROPER INSTALLATION IS THE RESPONSIBILITY OF THE DEALER/BUILDER/CONTRACTOR.



**NO DIVING WARNING:**  
 ATTENTION DEALER/BUILDER:  
 It is your responsibility to ensure the safety package provided is delivered to the pool owner and that the "NO DIVING" labels are properly installed.

**"NO DIVING" WARNING LABELS MUST BE INSTALLED IN NO DIVING AREAS ACCORDING TO ANSI SPECIFICATIONS**



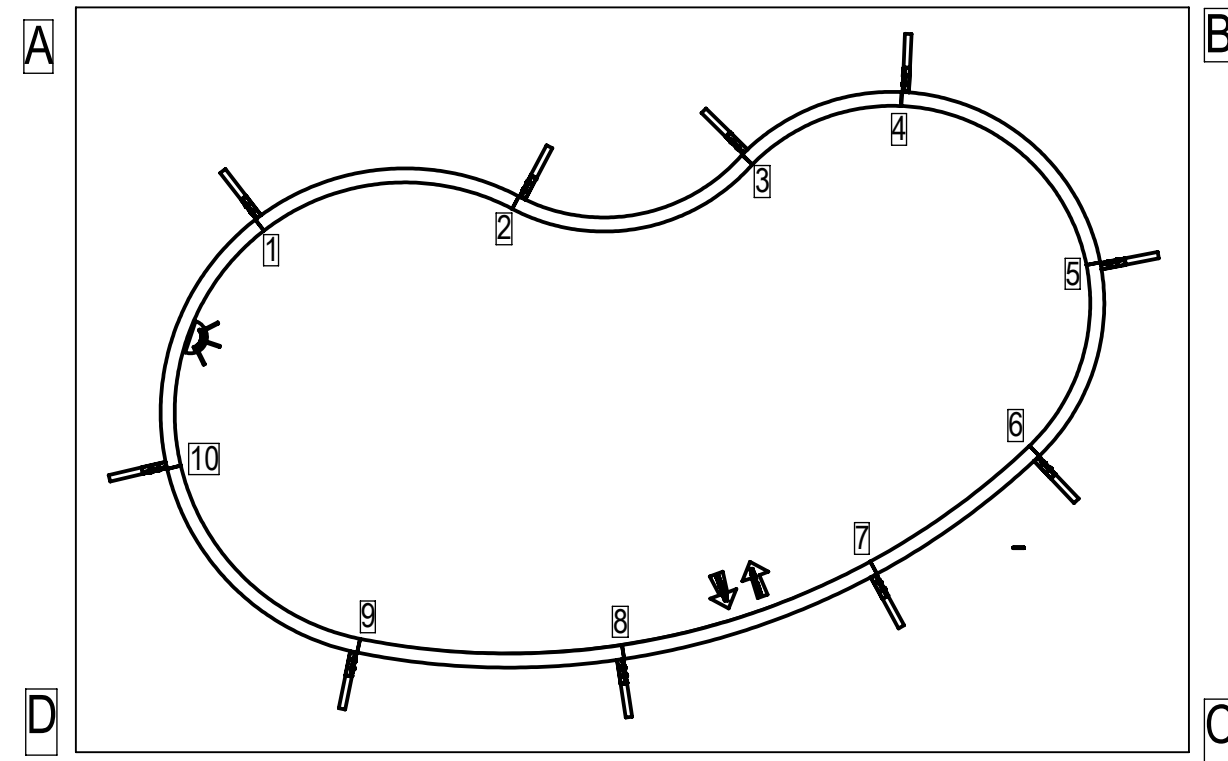
ENGINEERING DRAWING NUMBER: <b>00001193</b>	WEIGHT: 86.515 lbs	UNLESS OTHERWISE SPECIFIED DIMENSIONS ARE IN INCHES	DESIGNED BY: RCOLBOCH	CREATION DATE: 10/17/2012	<b>SAMSON STEEL BY HYDRA POOLS</b> 14' X 27'10" KIDNEY RIGHT PART NUMBER: <b>60700</b>	
	VOLUME: 2394.720 Inch <sup>3</sup>		TOLERANCES DECIMALS: X ± 0.1 XX ± 0.01 XXX ± 0.005 XXXX ± 0.0005	DETAILED BY: RCOLBOCH		DETAILED DATE: 8/30/2012
	COLOR: NA	ANGULAR: X ± 0.5	LAST REVISED BY: RCOLBOCH	LAST REVISED DATE: 11/16/2012		SCALE: 1:96
	HEAT TREAT: NA	THIRD ANGLE PROJECTION	MATERIAL: Material <not specified>			SIZE: B
FINISH: NA				SHEET: 1 OF 1		
TEXTURE: NA						

144

# 14' X 27'10" KIDNEY RIGHT

REVISION HISTORY					
REV.	DESCRIPTION	DATE	STATUS	ECO	BY

	A	B	C	D	A-B	B-C	A-C
1	8'-10 1/2"	28'-11"	32'-3 1/8"	16'-10 1/8"	33'-9 3/4"	22'-7 5/8"	40'-8 1/4"
2	14'-7 1/4"	21'-5 1/2"	26'-4 3/8"	21'-2 1/8"			
3	21'-1 1/4"	14'-1 1/8"	22'-3"	27'-2 3/4"			
4	25'-3"	9'-2 7/8"	21'-5 7/8"	31'-10 1/8"			
5	31'-8 1/4"	8'-5 1/8"	15'-1 1/2"	34'-1"			
6	31'-10 5/8"	14'-2 1/8"	10'-6"	30'-5 1/4"			
7	29'-5 1/8"	19'-5 1/8"	11'-3 3/8"	24'-9 7/8"			
8	25'-6 1/8"	25'-11 1/8"	17'-6 3/8"	16'-10 7/8"			
9	21'- 1/2"	31'-7 7/8"	25'-5"	9'-3 1/2"			
10	14'-3 3/8"	33'-7 3/4"	31'-10 1/8"	9'-3 1/4"			



- NOTES:**
1. THESE ARE FINISHED DIMENSIONS READY FOR THE LINER.
  2. DIMENSIONS ARE FROM INSIDE POOL PANELS.
  3. THE IDEAL WATER LEVEL SHOULD BE TO THE MIDDLE OF THE SKIMMER OPENING(S).

- EXCAVATION NOTES:**
4. ROUGH EXCAVATION SHOULD BE 2" DEEPER IN EACH INSTANCE.
  5. SOIL TO HAVE MINIMUM BEARING CAPACITY OF 2000 PSF.
  6. LOCATE TOP OF POOL AT LEAST 6" ABOVE THE SURROUNDING LAND ELEVATION.
  7. SEE "OVER DIG DETAIL" FOR EXCAVATION AROUND POOL.
  8. FILL VOIDS UNDER BASE OF PANELS AND TAMP WELL.
  9. BACK FILL WITH NON-EXPANSIVE MATERIAL.

**IMPORTANT NOTES:**  
 THIS DOCUMENT IS FOR ILLUSTRATIVE PURPOSES ONLY. THE DEALER OR CONTRACTOR WHO SELLS OR INSTALLS YOUR POOL IS AN INDEPENDENT CONTRACTOR AND IS NOT AN AGENT OF THE MANUFACTURER. THE CONSTRUCTION METHODS ILLUSTRATED HERE ARE SUGGESTIONS AND APPLY ONLY TO NORMAL GROUND CONDITIONS. THERE MAY BE ADDITIONAL PRECAUTIONS AND/OR METHODS OF CONSTRUCTION. PROPER INSTALLATION IS THE RESPONSIBILITY OF THE DEALER/BUILDER/CONTRACTOR.

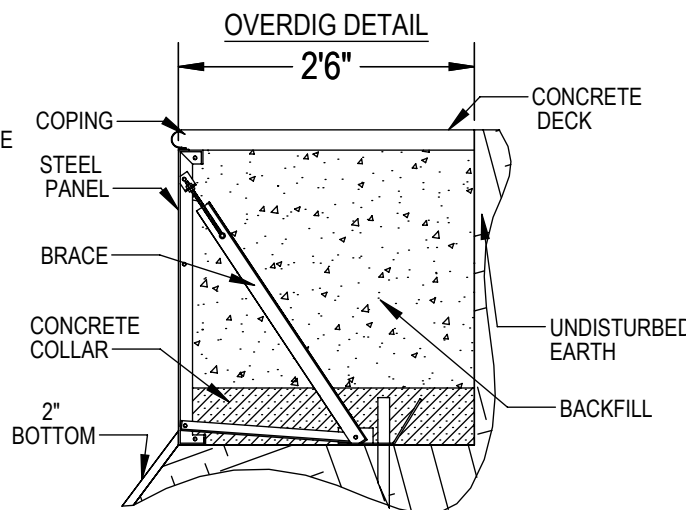
**PANEL LEGEND**



**NO DIVING WARNING:**  
**ATTENTION DEALER/BUILDER:**  
 It is your responsibility to ensure the safety package provided is delivered to the pool owner and that the "NO DIVING" labels are properly installed.



"NO DIVING" WARNING LABELS MUST BE INSTALLED IN NO DIVING AREAS ACCORDING TO ANSI SPECIFICATIONS

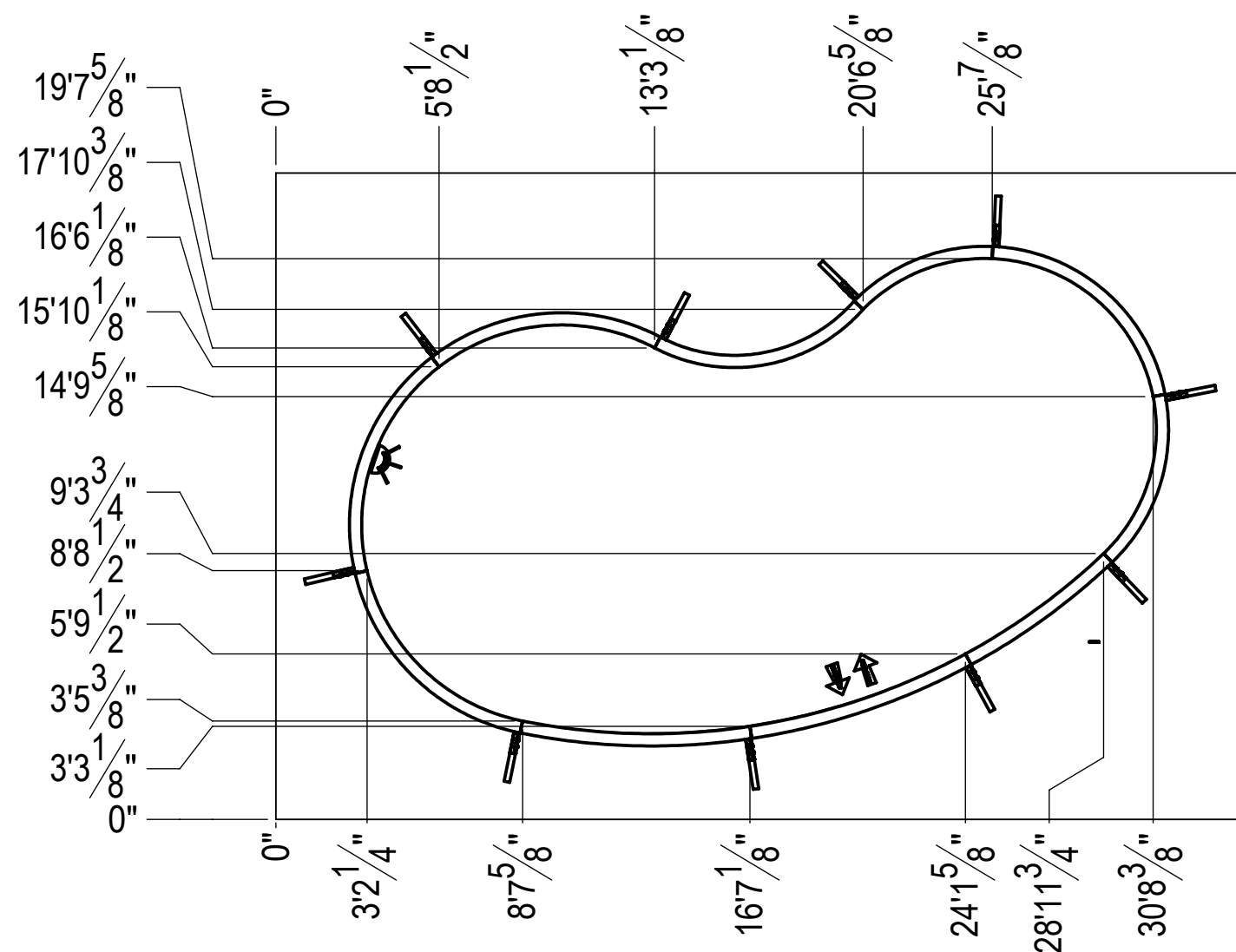
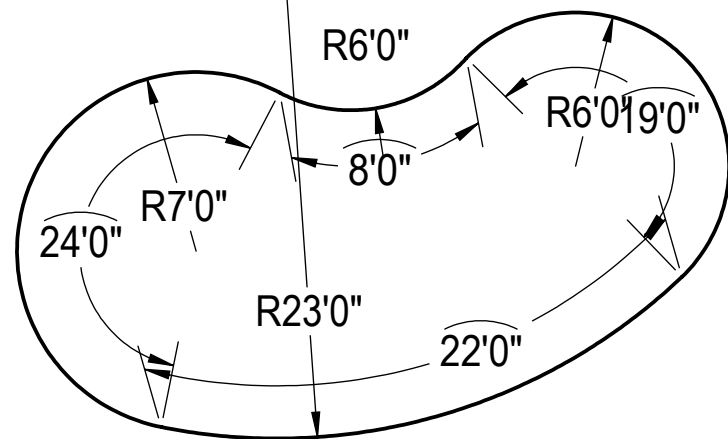
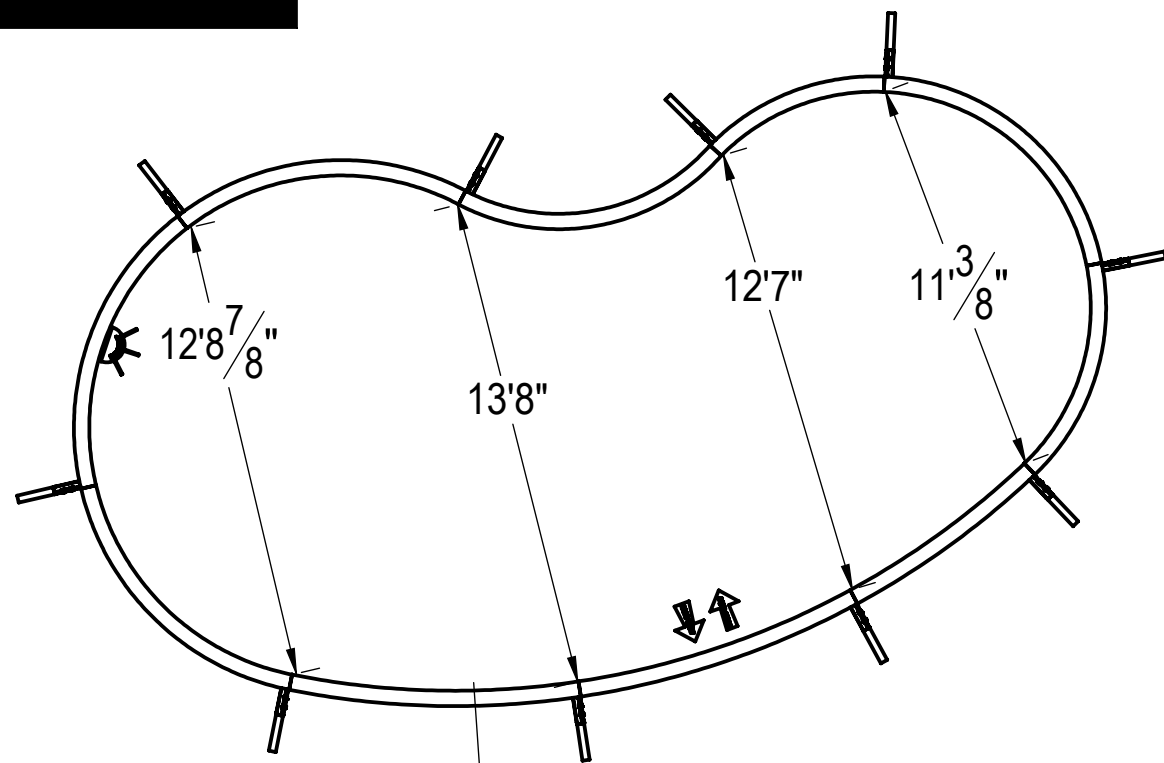


ENGINEERING DRAWING NUMBER: <b>00001193</b>	WEIGHT: 86.515 lbs	UNLESS OTHERWISE SPECIFIED DIMENSIONS ARE IN INCHES	DESIGNED BY: RCOLBOCH	CREATION DATE: 10/17/2012	<b>SAMSON STEEL                  BY HYDRA POOLS</b>  14' X 27'10" KIDNEY RIGHT  PART NUMBER: <b>60700-A</b>	SCALE: 1:96	SIZE: B
	VOLUME: 2394.720 Inch <sup>3</sup>		TOLERANCES DECIMALS: X ± 0.1 XX ± 0.01 XXX ± 0.005 XXXX ± 0.0005	DETAILED BY: Rcolboch		DETAILED DATE: 8/30/2012	
	COLOR: NA	ANGULAR: X ± 0.5 THIRD ANGLE PROJECTION	LAST REVISED BY: rcolboch	LAST REVISED DATE: 11/16/2012			
	HEAT TREAT: NA		MATERIAL: Material <not specified>				

144A

# 14' X 27'10" KIDNEY RIGHT

REVISION HISTORY					
REV.	DESCRIPTION	DATE	STATUS	ECO	BY



**NOTES:**

1. THESE ARE FINISHED DIMENSIONS READY FOR THE LINER.
2. DIMENSIONS ARE FROM INSIDE POOL PANELS.
3. THE IDEAL WATER LEVEL SHOULD BE TO THE MIDDLE OF THE SKIMMER OPENING(S).

**EXCAVATION NOTES:**

4. ROUGH EXCAVATION SHOULD BE 2" DEEPER IN EACH INSTANCE.
5. SOIL TO HAVE MINIMUM BEARING CAPACITY OF 2000 PSF.
6. LOCATE TOP OF POOL AT LEAST 6" ABOVE THE SURROUNDING LAND ELEVATION.
7. SEE "OVER DIG DETAIL" FOR EXCAVATION AROUND POOL.
8. FILL VOIDS UNDER BASE OF PANELS AND TAMP WELL.
9. BACK FILL WITH NON-EXPANSIVE MATERIAL.

**IMPORTANT NOTES:**

THIS DOCUMENT IS FOR ILLUSTRATIVE PURPOSES ONLY. THE DEALER OR CONTRACTOR WHO SELLS OR INSTALLS YOUR POOL IS AN INDEPENDENT CONTRACTOR AND IS NOT AN AGENT OF THE MANUFACTURER. THE CONSTRUCTION METHODS ILLUSTRATED HERE ARE SUGGESTIONS AND APPLY ONLY TO NORMAL GROUND CONDITIONS. THERE MAY BE ADDITIONAL PRECAUTIONS AND/OR METHODS OF CONSTRUCTION. PROPER INSTALLATION IS THE RESPONSIBILITY OF THE DEALER/BUILDER/CONTRACTOR.

**PANEL LEGEND**

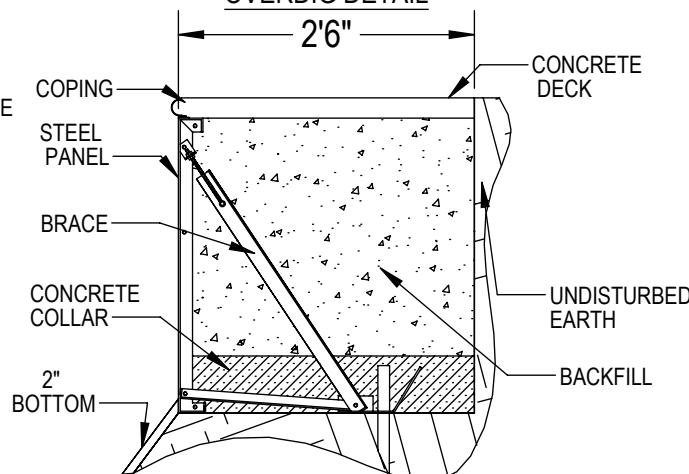


**NO DIVING WARNING:**  
**ATTENTION DEALER/BUILDER:**  
 It is your responsibility to ensure the safety package provided is delivered to the pool owner and that the "NO DIVING" labels are properly installed.



"NO DIVING" WARNING LABELS MUST BE INSTALLED IN NO DIVING AREAS ACCORDING TO ANSI SPECIFICATIONS

**OVERDIG DETAIL**



WEIGHT: 86,515 lbs VOLUME: 2394.720 Inch <sup>3</sup> COLOR: NA HEAT TREAT: NA FINISH: NA TEXTURE: NA	<b>UNLESS OTHERWISE SPECIFIED</b> DIMENSIONS ARE IN INCHES TOLERANCES DECIMALS: X ± 0.1 XX ± 0.01 XXX ± 0.005 XXXX ± 0.0005 ANGULAR: X ± 0.5 THIRD ANGLE PROJECTION	DESIGNED BY: RCOLBOCH DETAILED BY: Rcolboch LAST REVISED BY: rcolboch MATERIAL: Material <not specified>	CREATION DATE: 10/17/2012 DETAILED DATE: 8/30/2012 LAST REVISED DATE: 11/16/2012	<b>SAMSON STEEL</b> <b>BY HYDRA POOLS</b> <b>14' X 27'10" KIDNEY RIGHT</b>
	ENGINEERING DRAWING NUMBER: <b>00001193</b>	PART NUMBER: <b>60700-B</b>	SCALE: 1:96 SHEET: 1 OF 1	SIZE: B

144B