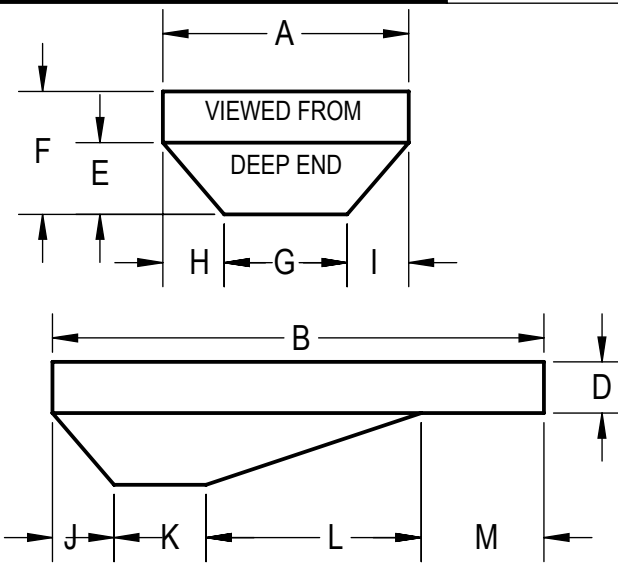


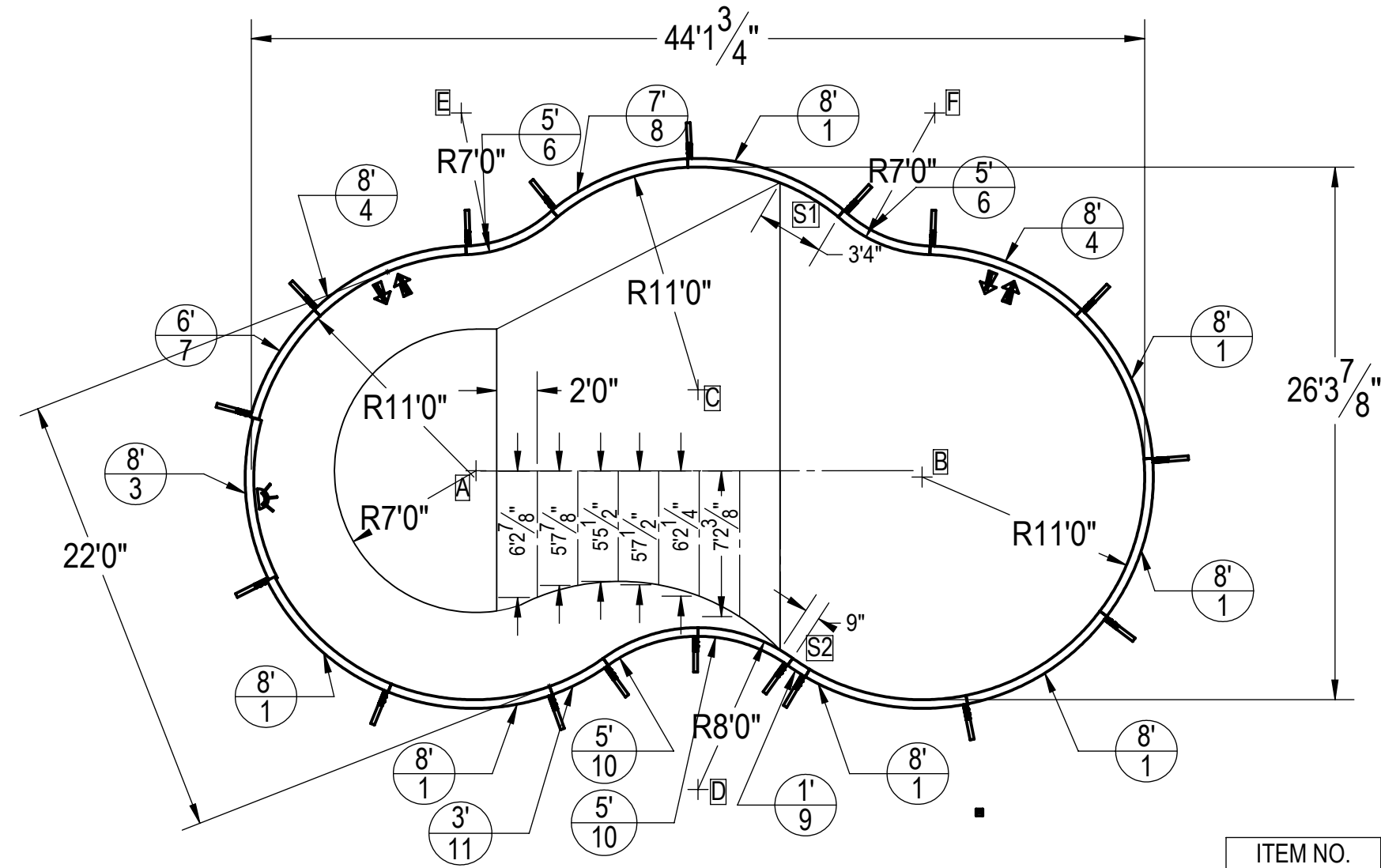
# 22' X 44'2" LAGOON LEFT

REVISION HISTORY		DATE	STATUS	ECO	BY
REV.	DESCRIPTION				

DIMENSIONS	SQ FOOT	1014	PERIMETER	115'6"	GALLONS	28725
------------	---------	------	-----------	--------	---------	-------



A	22'	K	6'0"
B	44'-1 3/4"	L	17'3"
D	3'4"	M	16'10 3/4"
E	4'-8"	M2	
F	8'0"	T	
G	14'0"	S	
H	4'0"	N	
I	4'0"	P	
J	4'0"	U	



A-B	44'-1 3/4"
A-C	11'-10 5/8"
A-D	19'-0"
A-E	17'-11 7/8"
A-F	29'- 1/4"
B-C	11'-10 5/8"
B-D	19'-0"
B-E	17'-11 7/8"
B-F	29'- 1/4"
A-S1	20'-11 7/8"
A-S2	17'-4 1/2"
B-S1	16'-1 3/4"
B-S2	11'- 5/8"

**NOTES:**  
 1. THESE ARE FINISHED DIMENSIONS READY FOR THE LINER.  
 2. DIMENSIONS ARE FROM INSIDE POOL PANELS.  
 3. THE IDEAL WATER LEVEL SHOULD BE TO THE MIDDLE OF THE SKIMMER OPENING(S).

**EXCAVATION NOTES:**  
 4. ROUGH EXCAVATION SHOULD BE 2" DEEPER IN EACH INSTANCE.  
 5. SOIL TO HAVE MINIMUM BEARING CAPACITY OF 2000 PSF.  
 6. LOCATE TOP OF POOL AT LEAST 6" ABOVE THE SURROUNDING LAND ELEVATION.  
 7. SEE "OVER DIG DETAIL" FOR EXCAVATION AROUND POOL.  
 8. FILL VOIDS UNDER BASE OF PANELS AND TAMP WELL.  
 9. BACK FILL WITH NON-EXPANSIVE MATERIAL.

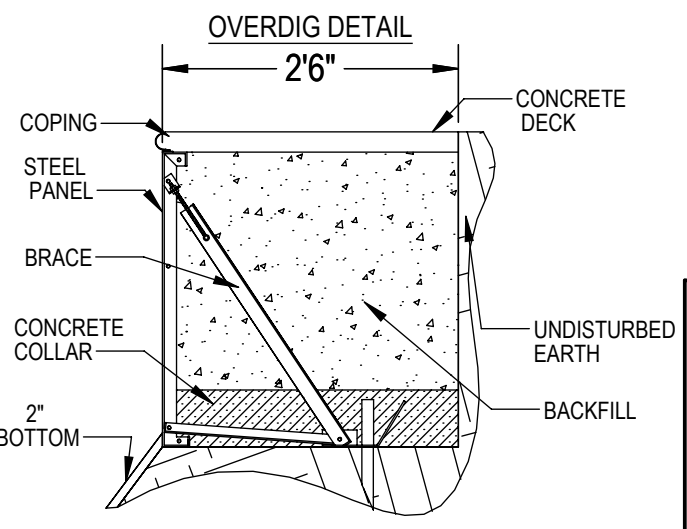
**IMPORTANT NOTES:**  
 THIS DOCUMENT IS FOR ILLUSTRATIVE PURPOSES ONLY. THE DEALER OR CONTRACTOR WHO SELLS OR INSTALLS YOUR POOL IS AN INDEPENDENT CONTRACTOR AND IS NOT AN AGENT OF THE MANUFACTURER. THE CONSTRUCTION METHODS ILLUSTRATED HERE ARE SUGGESTIONS AND APPLY ONLY TO NORMAL GROUND CONDITIONS. THERE MAY BE ADDITIONAL PRECAUTIONS AND/OR METHODS OF CONSTRUCTION. PROPER INSTALLATION IS THE RESPONSIBILITY OF THE DEALER/BUILDER/CONTRACTOR.

**PANEL LEGEND**

LIGHT SKIMMER AQUAGENIE

**NO DIVING WARNING:**  
 ATTENTION DEALER/BUILDER:  
 It is your responsibility to ensure the safety package provided is delivered to the pool owner and that the "NO DIVING" labels are properly installed.

"NO DIVING" WARNING LABELS MUST BE INSTALLED IN NO DIVING AREAS ACCORDING TO ANSI SPECIFICATIONS



ITEM NO.	PART NUMBER	DESCRIPTION	QTY.
1	HPSD11R8	11'R 8' PLAIN PANEL	7
2	HPSFOB	STEEL BRACE	18
3	HPS11R8L	11'R 8' LIGHT PANEL	1
4	HPSD1R8A	11'R 8' AQUAGENIE PANEL	2
5	HPS1916	BOLT PACK 50 PCS	4
6	HPSD7RR5	7'R 5' REVERSE PANEL	2
7	HPSD1R6	11'R 6' PLAIN PANEL	1
8	HPSD11R7	11'R 7' PLAIN PANEL	1
9	HPDS11R1	11'R 1' PLAIN PANEL	1
10	HPSD8RR5	8'R 5' REVERSE PANEL	2
11	HPSD11R3	11'R 3' PANEL	1

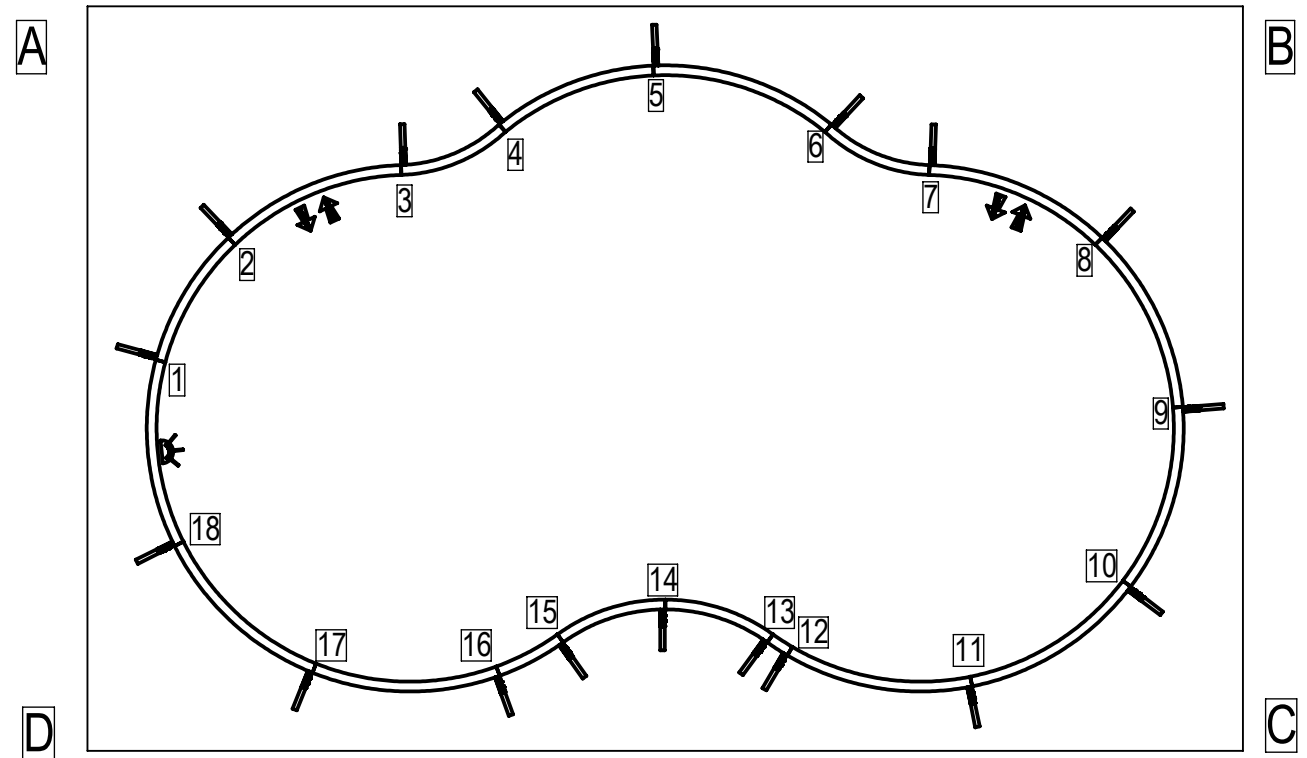
WEIGHT: 86.515 lbs VOLUME: 2394.720 Inch <sup>3</sup> COLOR: NA HEAT TREAT: NA FINISH: NA TEXTURE: NA	UNLESS OTHERWISE SPECIFIED DIMENSIONS ARE IN INCHES TOLERANCES DECIMALS: X ± 0.1 XX ± 0.01 XXX ± 0.005 XXXX ± 0.0005 ANGULAR: X ± 0.5 THIRD ANGLE PROJECTION	DESIGNED BY: RCOLBOCH DETAILED BY: Rcolboch LAST REVISED BY: rcolboch MATERIAL: Material <not specified>	CREATION DATE: 10/17/2012 DETAILED DATE: 8/30/2012 LAST REVISED DATE: 11/16/2012	TITLE: 22' X 44'2" LAGOON LEFT
	SAMSON STEEL BY HYDRA POOLS			PART NUMBER: <b>60948</b>
	SCALE: 1:96 SHEET: 1 OF 1			SIZE: <b>B</b>
	ENGINEERING DRAWING NUMBER: <b>00001284</b>			

164

# 22' X 44'2" LAGOON LEFT

REVISION HISTORY					
REV.	DESCRIPTION	DATE	STATUS	ECO	BY

	A	B	C	D	A-B	50'-1 3/4"
1	15'-9 3/4"	49'-3"	49'-8 5/8"	17'-2 3/8"	B-C	32'-3 3/4"
2	12'-2 1/8"	44'-11 3/8"	48'-11 3/8"	22'-10 1/2"	A-C	59'-7 7/8"
3	15'-5 1/2"	37'-3 1/8"	44'-3 1/8"	28'-5 1/2"		
4	18'-11 3/8"	32'-5 5/8"	41'-9 3/8"	32'-5"		
5	24'-9 1/8"	25'-9"	38'-10 3/4"	38'-3"		
6	32'-5 5/8"	18'-11 3/8"	32'-5"	41'-9 3/8"		
7	37'-3 1/8"	15'-5 1/2"	28'-5 1/2"	44'-3 1/8"		
8	44'-11 3/8"	12'-2 1/8"	22'-10 1/2"	48'-11 3/8"		
9	50'-2 3/4"	17'-8 1/8"	15'-2 3/8"	49'-5"		
10	51'-4 5/8"	25'-5 5/8"	9'- 3/8"	45'-6 1/2"		
11	48'-1 1/4"	31'-4 7/8"	12'-3 1/4"	38'-5 3/8"		
12	41'-4 1/8"	33'-11 7/8"	20'- 3/4"	30'-2 1/8"		
13	40'-4 1/4"	34'- 1/2"	21'- 1/8"	30'-11 1/8"		
14	35'-11 1/4"	35'-11 1/4"	25'-11"	25'-11"		
15	34'- 1/2"	40'-4 1/4"	30'-2 1/8"	21'- 1/8"		
16	33'-8 1/2"	43'-3"	32'-7 1/4"	18'-1 3/8"		
17	30'-2 1/2"	49'-3 3/4"	40'-4 7/8"	10'-7 3/8"		
18	23'-7 1/4"	51'-6 1/4"	46'-10 1/2"	9'-11 7/8"		



- NOTES:**
- THESE ARE FINISHED DIMENSIONS READY FOR THE LINER.
  - DIMENSIONS ARE FROM INSIDE POOL PANELS.
  - THE IDEAL WATER LEVEL SHOULD BE TO THE MIDDLE OF THE SKIMMER OPENING(S).
- EXCAVATION NOTES:**
- ROUGH EXCAVATION SHOULD BE 2" DEEPER IN EACH INSTANCE.
  - SOIL TO HAVE MINIMUM BEARING CAPACITY OF 2000 PSF.
  - LOCATE TOP OF POOL AT LEAST 6" ABOVE THE SURROUNDING LAND ELEVATION.
  - SEE "OVER DIG DETAIL" FOR EXCAVATION AROUND POOL.
  - FILL VOIDS UNDER BASE OF PANELS AND TAMP WELL.
  - BACK FILL WITH NON-EXPANSIVE MATERIAL.

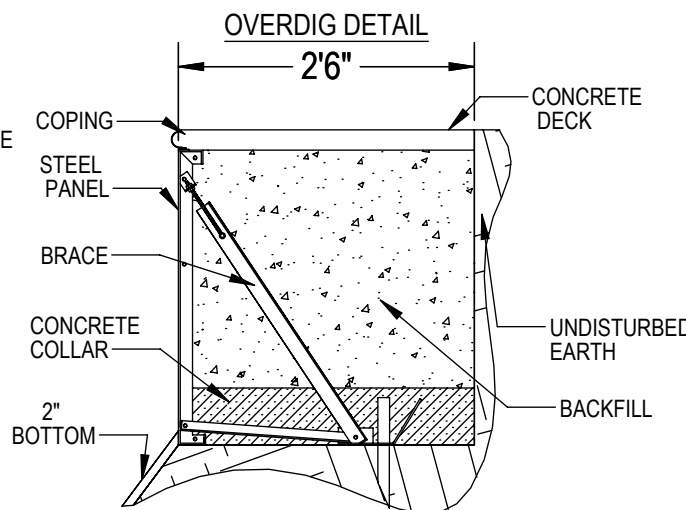
**IMPORTANT NOTES:**  
 THIS DOCUMENT IS FOR ILLUSTRATIVE PURPOSES ONLY. THE DEALER OR CONTRACTOR WHO SELLS OR INSTALLS YOUR POOL IS AN INDEPENDENT CONTRACTOR AND IS NOT AN AGENT OF THE MANUFACTURER. THE CONSTRUCTION METHODS ILLUSTRATED HERE ARE SUGGESTIONS AND APPLY ONLY TO NORMAL GROUND CONDITIONS. THERE MAY BE ADDITIONAL PRECAUTIONS AND/OR METHODS OF CONSTRUCTION. PROPER INSTALLATION IS THE RESPONSIBILITY OF THE DEALER/BUILDER/CONTRACTOR.

**PANEL LEGEND**

LIGHT SKIMMER AQUAGENIE

**NO DIVING WARNING:**  
 ATTENTION DEALER/BUILDER:  
 It is your responsibility to ensure the safety package provided is delivered to the pool owner and that the "NO DIVING" labels are properly installed.

"NO DIVING" WARNING LABELS MUST BE INSTALLED IN NO DIVING AREAS ACCORDING TO ANSI SPECIFICATIONS

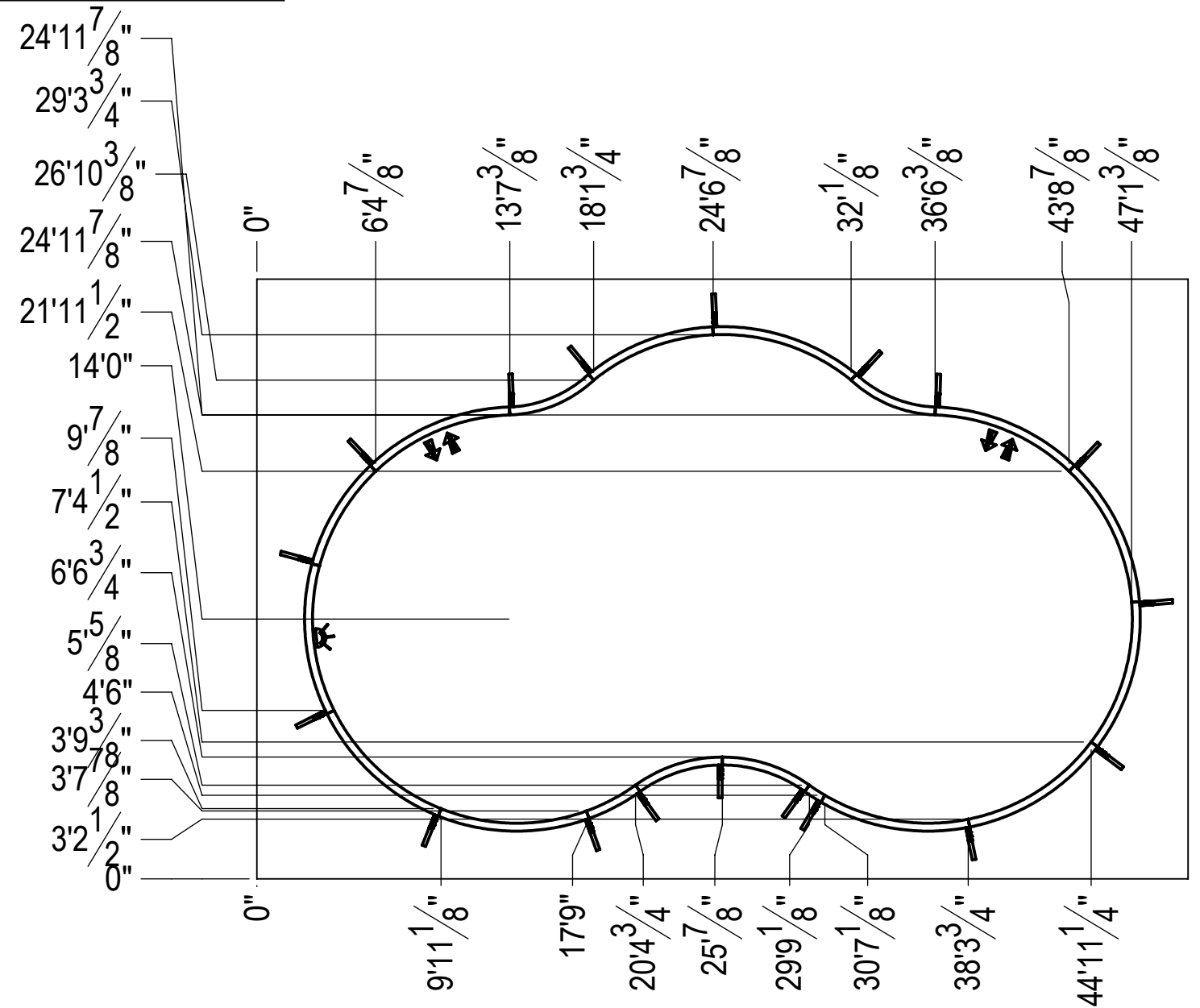
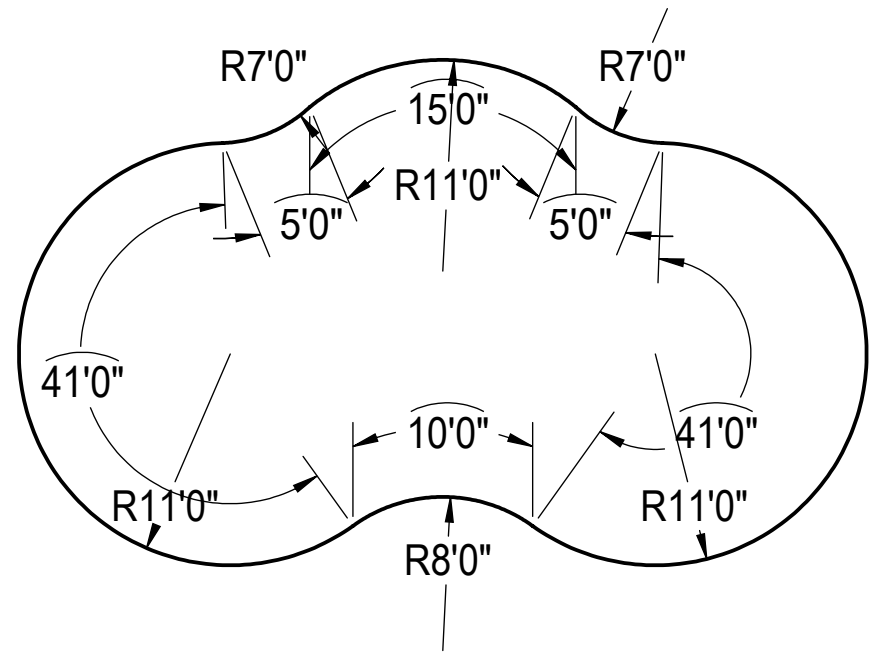
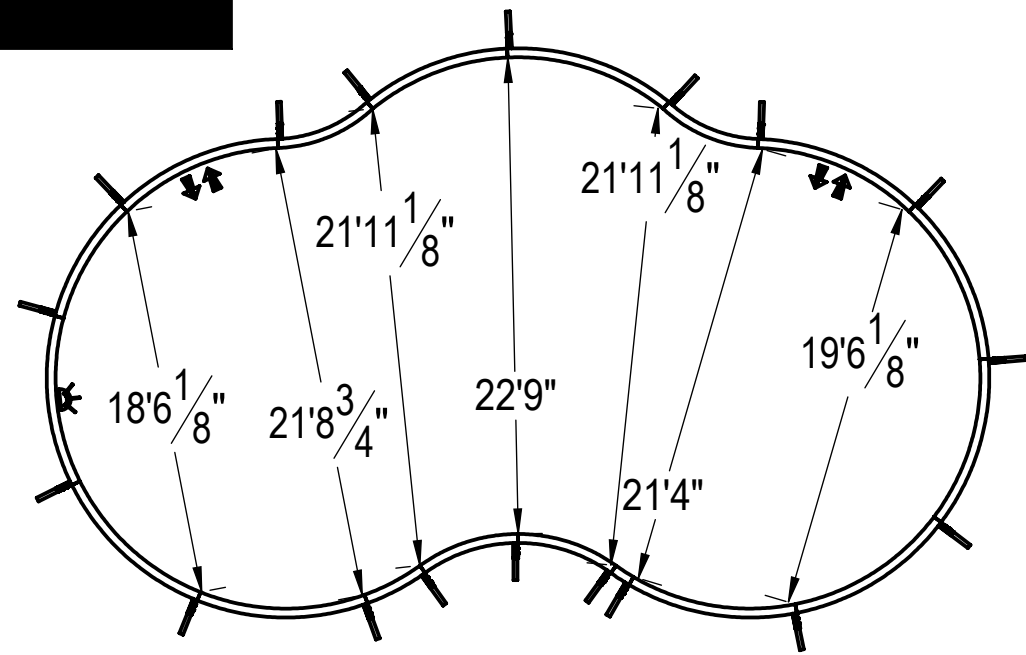


ENGINEERING DRAWING NUMBER: <b>00001284</b>	WEIGHT: 86.515 lbs	UNLESS OTHERWISE SPECIFIED DIMENSIONS ARE IN INCHES	DESIGNED BY: RCOLBOCH	CREATION DATE: 10/17/2012	<b>SAMSON STEEL          BY HYDRA POOLS</b>  <b>22' X 44'2" LAGOON LEFT</b>
	VOLUME: 2394.720 Inch <sup>3</sup>		TOLERANCES DECIMALS: X ± 0.1 XX ± 0.01 XXX ± 0.005 XXXX ± 0.0005	DETAILED BY: Rcolboch	
	COLOR: NA	ANGULAR: X ± 0.5 THIRD ANGLE PROJECTION	LAST REVISED BY: rcolboch	LAST REVISED DATE: 11/16/2012	
	HEAT TREAT: NA		MATERIAL: Material <not specified>		
FINISH: NA		PART NUMBER: <b>60948-A</b>		SCALE: 1:96	
TEXTURE: NA				SHEET: 1 OF 1	<b>B</b>

164A

# 22' X 44'2" LAGOON LEFT

REVISION HISTORY					
REV.	DESCRIPTION	DATE	STATUS	ECO	BY



- NOTES:**
1. THESE ARE FINISHED DIMENSIONS READY FOR THE LINER.
  2. DIMENSIONS ARE FROM INSIDE POOL PANELS.
  3. THE IDEAL WATER LEVEL SHOULD BE TO THE MIDDLE OF THE SKIMMER OPENING(S).
- EXCAVATION NOTES:**
4. ROUGH EXCAVATION SHOULD BE 2" DEEPER IN EACH INSTANCE.
  5. SOIL TO HAVE MINIMUM BEARING CAPACITY OF 2000 PSF.
  6. LOCATE TOP OF POOL AT LEAST 6" ABOVE THE SURROUNDING LAND ELEVATION.
  7. SEE "OVER DIG DETAIL" FOR EXCAVATION AROUND POOL.
  8. FILL VOIDS UNDER BASE OF PANELS AND TAMP WELL.
  9. BACK FILL WITH NON-EXPANSIVE MATERIAL.

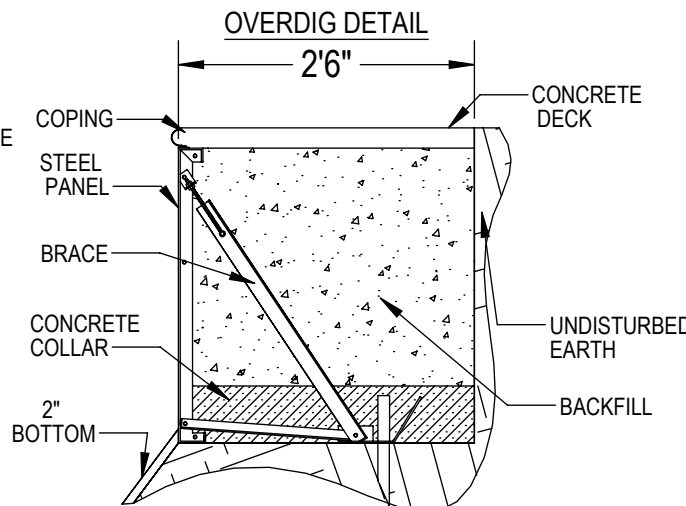
**IMPORTANT NOTES:**  
THIS DOCUMENT IS FOR ILLUSTRATIVE PURPOSES ONLY. THE DEALER OR CONTRACTOR WHO SELLS OR INSTALLS YOUR POOL IS AN INDEPENDENT CONTRACTOR AND IS NOT AN AGENT OF THE MANUFACTURER. THE CONSTRUCTION METHODS ILLUSTRATED HERE ARE SUGGESTIONS AND APPLY ONLY TO NORMAL GROUND CONDITIONS. THERE MAY BE ADDITIONAL PRECAUTIONS AND/OR METHODS OF CONSTRUCTION. PROPER INSTALLATION IS THE RESPONSIBILITY OF THE DEALER/BUILDER/CONTRACTOR.

**PANEL LEGEND**

LIGHT SKIMMER AQUAGENIE

**NO DIVING WARNING:**  
ATTENTION DEALER/BUILDER:  
It is your responsibility to ensure the safety package provided is delivered to the pool owner and that the "NO DIVING" labels are properly installed.

"NO DIVING" WARNING LABELS MUST BE INSTALLED IN NO DIVING AREAS ACCORDING TO ANSI SPECIFICATIONS



ENGINEERING DRAWING NUMBER: <b>00001284</b>	WEIGHT: 86.515 lbs	<b>UNLESS OTHERWISE SPECIFIED</b> DIMENSIONS ARE IN INCHES TOLERANCES DECIMALS: X ± 0.1 XX ± 0.01 XXX ± 0.005 XXXX ± 0.0005 ANGULAR: X ± 0.5 THIRD ANGLE PROJECTION	DESIGNED BY: RCOLBOCH	CREATION DATE: 10/17/2012	TITLE: <b>SAMSON STEEL BY HYDRA POOLS 22' X 44'2" LAGOON LEFT</b>
	VOLUME: 2394.720 Inch <sup>3</sup>		DETAILED BY: Rcolboch	DETAILED DATE: 8/30/2012	
	COLOR: NA		LAST REVISED BY: rcolboch	LAST REVISED DATE: 11/16/2012	
	HEAT TREAT: NA		MATERIAL: Material <not specified>		
FINISH: NA	PART NUMBER: <b>60948-B</b>		SCALE: 1:96	SIZE: B	SHEET: 1 OF 1
TEXTURE: NA					