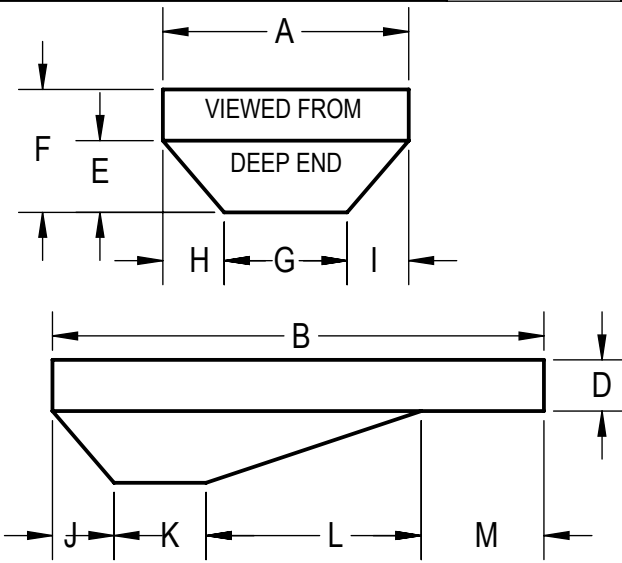


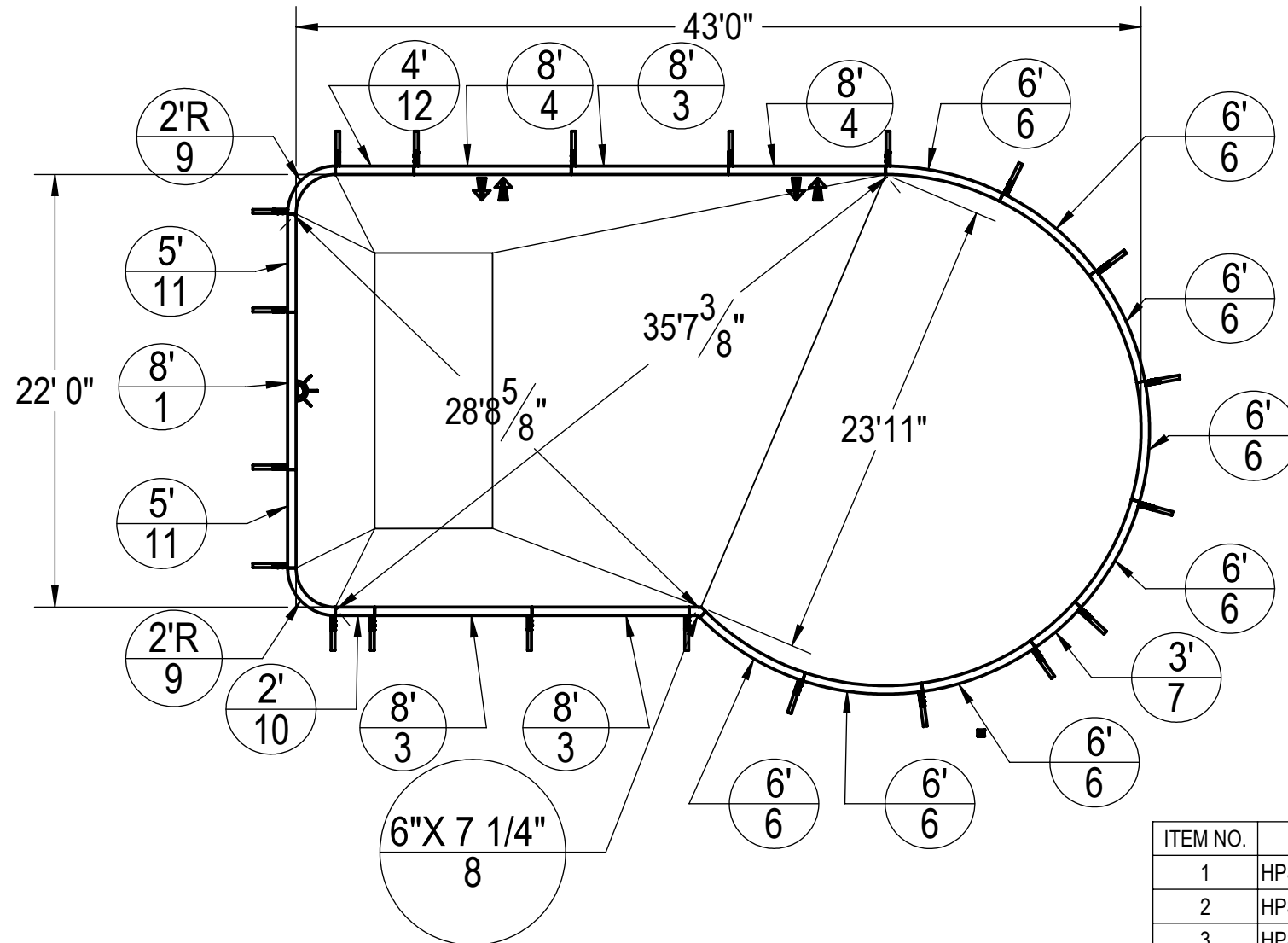
# 22' X 43' MARTINIQUE LEFT 2'R

REVISION HISTORY					
REV.	DESCRIPTION	DATE	STATUS	ECO	BY

<b>DIMENSIONS</b>	<b>SQ FOOT</b>	1017	<b>PERIMETER</b>	122'2"	<b>GALLONS</b>	35615
-------------------	----------------	------	------------------	--------	----------------	-------

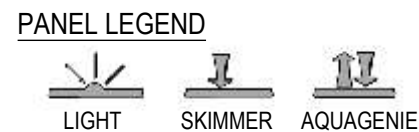


A	22'	K	6'0"
B	43'	L	15'3"
D	3'4"	M	17'9"
E	4'-8"	M2	
F	8'0"	T	
G	14'0"	S	
H	4'0"	N	
I	4'0"	P	
J	4'0"	U	



ITEM NO.	PART NUMBER	DESCRIPTION	QTY.
1	HPSD108L	8' LIGHT PANEL	1
2	HPSFOB	STEEL BRACE	21
3	HPSD108P	8' PLAIN PANEL	3
4	HPSD108AG	8' AG PANEL	2
5	HPS1916	BOLT PACK 50 PCS	5
6	HPSD13R6	13'R 6' PLAIN PANEL	8
7	HPSD13R3	13'R 3' PLAIN PANEL	1
8	HPSD6X7224	6" X 7 1/4" 224°	1
9	HPSD2R	2'R PANEL	2
10	HPSD102P	2' PLAIN PANEL	1
11	HPS105P	5' PLAIN PANEL	2
12	HPS104P	4' PLAIN PANEL	1

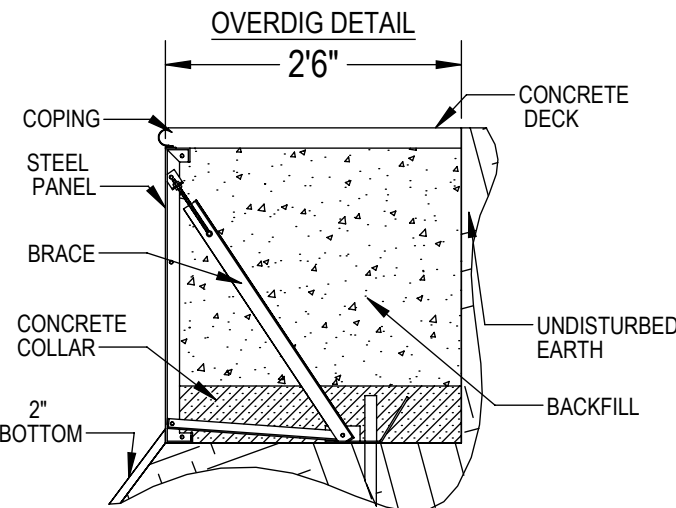
- NOTES:**
- THESE ARE FINISHED DIMENSIONS READY FOR THE LINER.
  - DIMENSIONS ARE FROM INSIDE POOL PANELS.
  - THE IDEAL WATER LEVEL SHOULD BE TO THE MIDDLE OF THE SKIMMER OPENING(S).
- EXCAVATION NOTES:**
- ROUGH EXCAVATION SHOULD BE 2" DEEPER IN EACH INSTANCE.
  - SOIL TO HAVE MINIMUM BEARING CAPACITY OF 2000 PSF.
  - LOCATE TOP OF POOL AT LEAST 6" ABOVE THE SURROUNDING LAND ELEVATION.
  - SEE "OVER DIG DETAIL" FOR EXCAVATION AROUND POOL.
  - FILL VOIDS UNDER BASE OF PANELS AND TAMP WELL.
  - BACK FILL WITH NON-EXPANSIVE MATERIAL.
- IMPORTANT NOTES:**
- THIS DOCUMENT IS FOR ILLUSTRATIVE PURPOSES ONLY. THE DEALER OR CONTRACTOR WHO SELLS OR INSTALLS YOUR POOL IS AN INDEPENDENT CONTRACTOR AND IS NOT AN AGENT OF THE MANUFACTURER. THE CONSTRUCTION METHODS ILLUSTRATED HERE ARE SUGGESTIONS AND APPLY ONLY TO NORMAL GROUND CONDITIONS. THERE MAY BE ADDITIONAL PRECAUTIONS AND/OR METHODS OF CONSTRUCTION. PROPER INSTALLATION IS THE RESPONSIBILITY OF THE DEALER/BUILDER/CONTRACTOR.



**NO DIVING WARNING:**  
**ATTENTION DEALER/BUILDER:**  
 It is your responsibility to ensure the safety package provided is delivered to the pool owner and that the "NO DIVING" labels are properly installed.



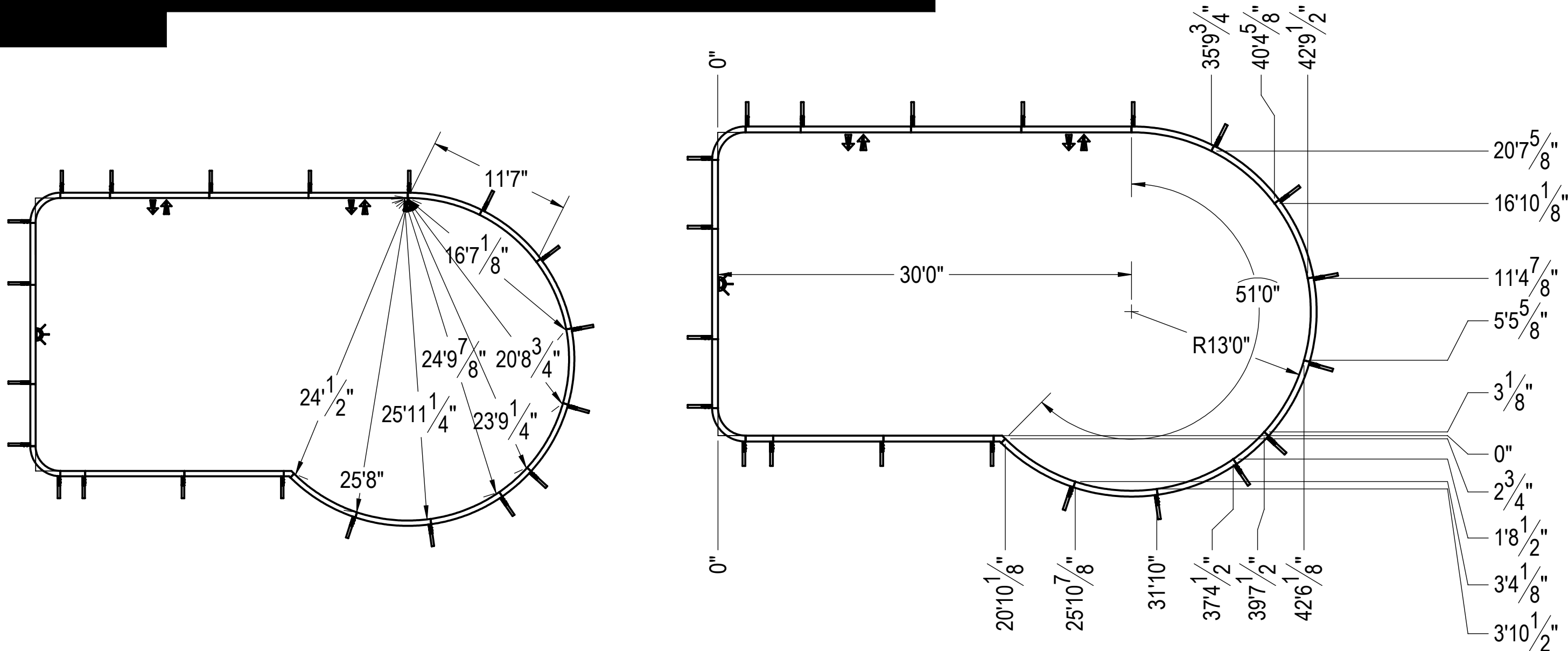
"NO DIVING" WARNING LABELS MUST BE INSTALLED IN NO DIVING AREAS ACCORDING TO ANSI SPECIFICATIONS



ENGINEERING DRAWING NUMBER: <b>00000867</b>	WEIGHT: 86.515 lbs VOLUME: 2394.720 Inch <sup>3</sup>	<b>UNLESS OTHERWISE SPECIFIED</b>		DESIGNED BY: RCOLBOCH CREATION DATE: 10/17/2012	<b>SAMSON STEEL BY HYDRA POOLS</b> 22' X 43' MARTINIQUE LEFT 2'R
	COLOR: NA HEAT TREAT: NA FINISH: NA TEXTURE: NA	DIMENSIONS ARE IN INCHES TOLERANCES DECIMALS: X ± 0.1 XX ± 0.01 XXX ± 0.005 XXXX ± 0.0005	DETAILED BY: RCOLBOCH DETAILED DATE: 8/30/2012		
	ANGULAR: X ± 0.5 THIRD ANGLE PROJECTION	LAST REVISED BY: rcolboch LAST REVISED DATE: 11/16/2012			
	MATERIAL: Material <not specified>				
PART NUMBER: <b>60395</b>				SCALE: 1:96 SHEET: 1 OF 1	SIZE: <b>B</b>

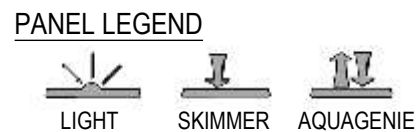
# 22' X 43' MARTINIQUE LEFT 2'R

REVISION HISTORY					
REV.	DESCRIPTION	DATE	STATUS	ECO	BY



- NOTES:**
1. THESE ARE FINISHED DIMENSIONS READY FOR THE LINER.
  2. DIMENSIONS ARE FROM INSIDE POOL PANELS.
  3. THE IDEAL WATER LEVEL SHOULD BE TO THE MIDDLE OF THE SKIMMER OPENING(S).
- EXCAVATION NOTES:**
4. ROUGH EXCAVATION SHOULD BE 2" DEEPER IN EACH INSTANCE.
  5. SOIL TO HAVE MINIMUM BEARING CAPACITY OF 2000 PSF.
  6. LOCATE TOP OF POOL AT LEAST 6" ABOVE THE SURROUNDING LAND ELEVATION.
  7. SEE "OVER DIG DETAIL" FOR EXCAVATION AROUND POOL.
  8. FILL VOIDS UNDER BASE OF PANELS AND TAMP WELL.
  9. BACK FILL WITH NON-EXPANSIVE MATERIAL.

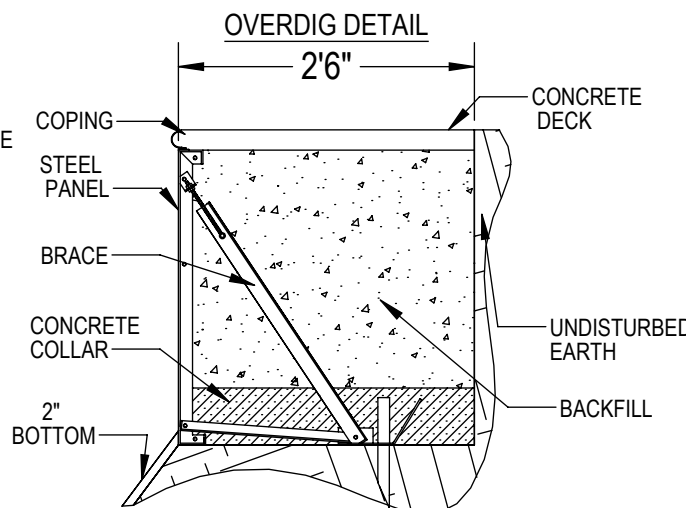
**IMPORTANT NOTES:**  
 THIS DOCUMENT IS FOR ILLUSTRATIVE PURPOSES ONLY. THE DEALER OR CONTRACTOR WHO SELLS OR INSTALLS YOUR POOL IS AN INDEPENDENT CONTRACTOR AND IS NOT AN AGENT OF THE MANUFACTURER. THE CONSTRUCTION METHODS ILLUSTRATED HERE ARE SUGGESTIONS AND APPLY ONLY TO NORMAL GROUND CONDITIONS. THERE MAY BE ADDITIONAL PRECAUTIONS AND/OR METHODS OF CONSTRUCTION. PROPER INSTALLATION IS THE RESPONSIBILITY OF THE DEALER/BUILDER/CONTRACTOR.



**NO DIVING WARNING:**  
 ATTENTION DEALER/BUILDER:  
 It is your responsibility to ensure the safety package provided is delivered to the pool owner and that the "NO DIVING" labels are properly installed.



"NO DIVING" WARNING LABELS MUST BE INSTALLED IN NO DIVING AREAS ACCORDING TO ANSI SPECIFICATIONS



ENGINEERING DRAWING NUMBER: <b>00000867</b>	WEIGHT: 86.515 lbs	UNLESS OTHERWISE SPECIFIED DIMENSIONS ARE IN INCHES TOLERANCES DECIMALS: X ± 0.1 XX ± 0.01 XXX ± 0.005 XXXX ± 0.0005 ANGULAR: X ± 0.5 THIRD ANGLE PROJECTION	DESIGNED BY: RCOLBOCH	CREATION DATE: 10/17/2012	TITLE: <b>SAMSON STEEL BY HYDRA POOLS 22' X 43' MARTINIQUE LEFT 2'R</b>
	VOLUME: 2394.720 Inch <sup>3</sup>		DETAILED BY: Rcolboch	DETAILED DATE: 8/30/2012	
	COLOR: NA		LAST REVISED BY: rcolboch	LAST REVISED DATE: 11/14/2012	
	HEAT TREAT: NA		MATERIAL: Material <not specified>		
FINISH: NA					PART NUMBER: <b>60395A</b>
TEXTURE: NA					SCALE: 1:96 SHEET: 1 OF 1 SIZE: B