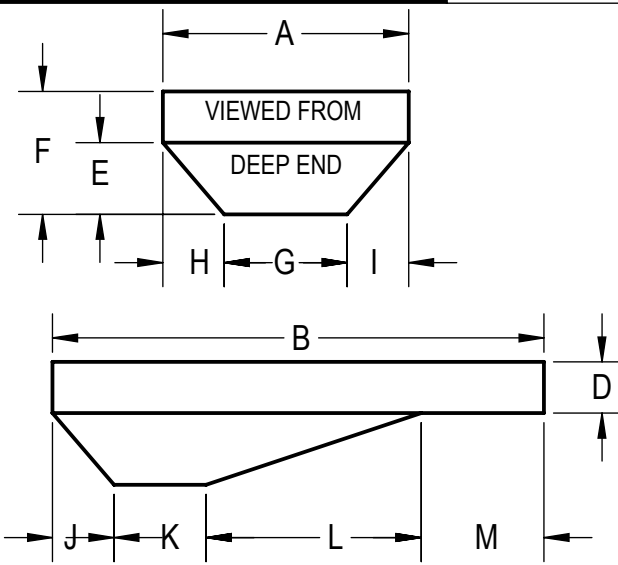


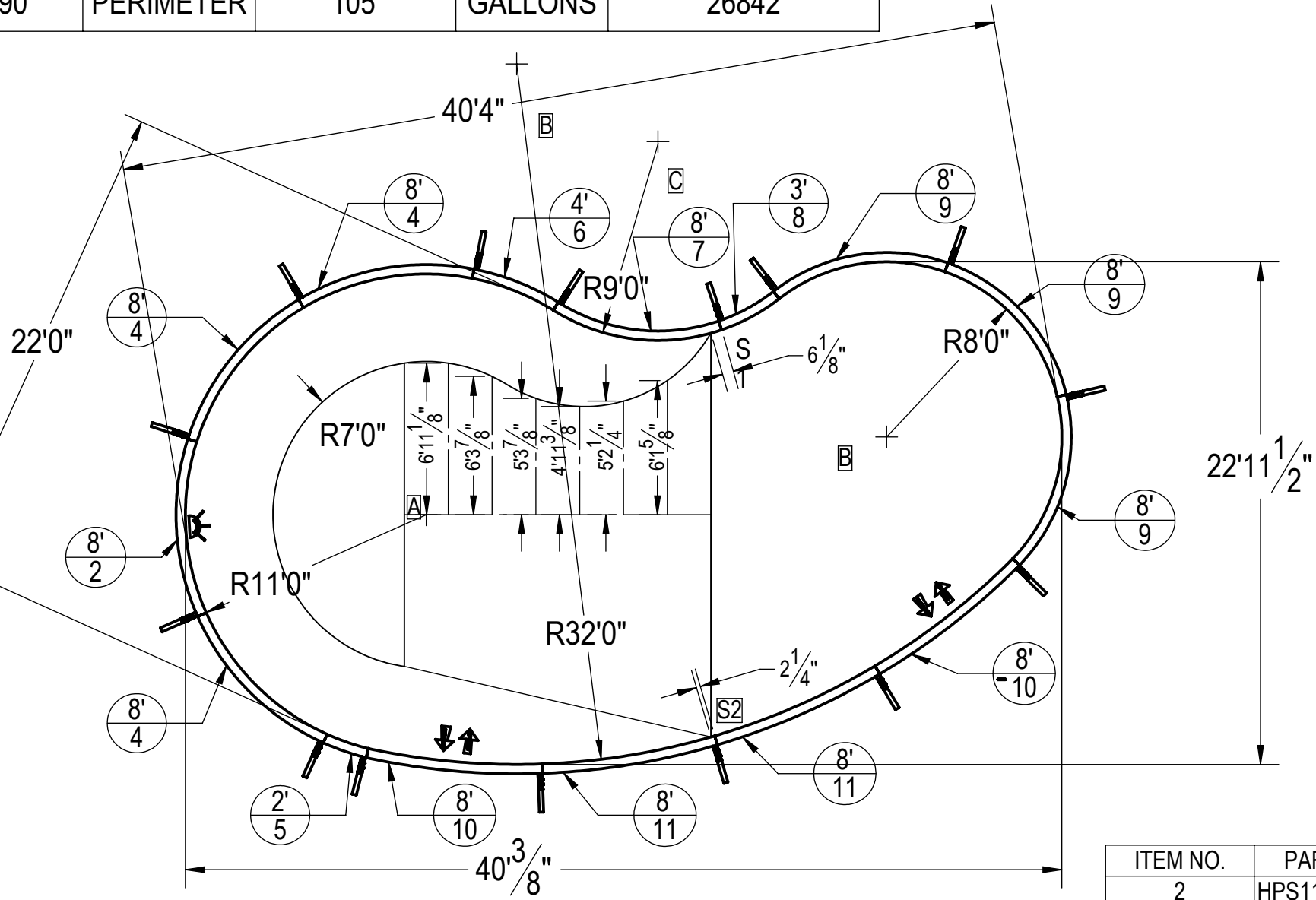
# 22' X 40'1" KIDNEY RIGHT

REV.	DESCRIPTION	REVISION HISTORY			
		DATE	STATUS	ECO	BY

DIMENSIONS	SQ FOOT	890	PERIMETER	105'	GALLONS	26842
------------	---------	-----	-----------	------	---------	-------



A	22'	K	6'0"
B	40'-4"	L	14'0"
D	3'4"	M	16'4"
E	4'-8"	M2	
F	8'0"	T	
G	14'0"	S	
H	4'0"	N	
I	4'0"	P	
J	4'0"	U	



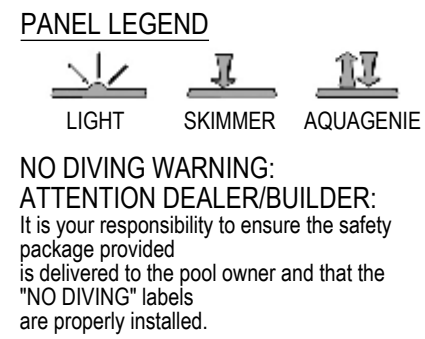
A-B	21'-4 1/2"
A-C	20'-3/4"
A-D	21'-1/8"
B-C	17'-0"
B-D	24'-0"
D-C	7'-4 3/8"
A-S1	15'-5 1/8"
A-S2	16'-5 7/8"
B-S1	9'-4 1/2"
B-S2	15'-11 1/8"

ITEM NO.	PART NUMBER	DESCRIPTION	QTY.
2	HPS11R8L	11'R 8' LIGHT PANEL	1
3	HPSFOB	STEEL BRACE	15
4	HPS11R8	11'R 8' PLAIN PANEL	3
5	HPS11R2	11'R 2' PANEL	1
6	HPS11R4	11'R 4' PLAIN PANEL	1
7	HPSD9RR8	9'R 8' REVERSE PANEL	1
8	HPSD9RR3	9'R 3' REVERSE PANEL	1
9	HPSD8R8	8'R 8' PLAIN PANEL	3
10	HPSD32R8AG	32'R 8' AG PANEL	2
11	HPSD32R8	32'R 8' PLAIN PANEL	2
12	HPS1916	BOLT PACK 50 PCS	4

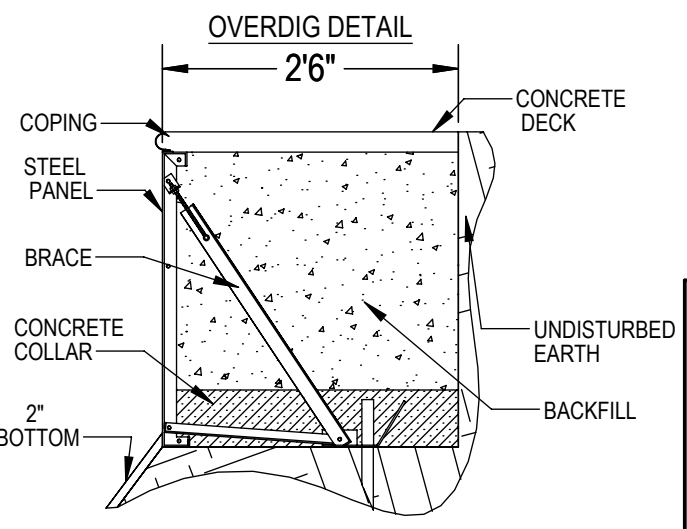
**NOTES:**  
 1. THESE ARE FINISHED DIMENSIONS READY FOR THE LINER.  
 2. DIMENSIONS ARE FROM INSIDE POOL PANELS.  
 3. THE IDEAL WATER LEVEL SHOULD BE TO THE MIDDLE OF THE SKIMMER OPENING(S).

**EXCAVATION NOTES:**  
 4. ROUGH EXCAVATION SHOULD BE 2" DEEPER IN EACH INSTANCE.  
 5. SOIL TO HAVE MINIMUM BEARING CAPACITY OF 2000 PSF.  
 6. LOCATE TOP OF POOL AT LEAST 6" ABOVE THE SURROUNDING LAND ELEVATION.  
 7. SEE "OVER DIG DETAIL" FOR EXCAVATION AROUND POOL.  
 8. FILL VOIDS UNDER BASE OF PANELS AND TAMP WELL.  
 9. BACK FILL WITH NON-EXPANSIVE MATERIAL.

**IMPORTANT NOTES:**  
 THIS DOCUMENT IS FOR ILLUSTRATIVE PURPOSES ONLY. THE DEALER OR CONTRACTOR WHO SELLS OR INSTALLS YOUR POOL IS AN INDEPENDENT CONTRACTOR AND IS NOT AN AGENT OF THE MANUFACTURER. THE CONSTRUCTION METHODS ILLUSTRATED HERE ARE SUGGESTIONS AND APPLY ONLY TO NORMAL GROUND CONDITIONS. THERE MAY BE ADDITIONAL PRECAUTIONS AND/OR METHODS OF CONSTRUCTION. PROPER INSTALLATION IS THE RESPONSIBILITY OF THE DEALER/BUILDER/CONTRACTOR.



**"NO DIVING" WARNING LABELS MUST BE INSTALLED IN NO DIVING AREAS ACCORDING TO ANSI SPECIFICATIONS**



WEIGHT: 86.515 lbs VOLUME: 2394.720 Inch <sup>3</sup>	UNLESS OTHERWISE SPECIFIED DIMENSIONS ARE IN INCHES TOLERANCES DECIMALS: X ± 0.1 XX ± 0.01 XXX ± 0.005 XXXX ± 0.0005 ANGULAR: X ± 0.5 THIRD ANGLE PROJECTION	DESIGNED BY: RCOLBOCH CREATION DATE: 10/17/2012
COLOR: NA HEAT TREAT: NA FINISH: NA TEXTURE: NA		DETAILED BY: Rcolboch DETAILED DATE: 8/30/2012 LAST REVISED BY: rcolboch LAST REVISED DATE: 11/16/2012

**SAMSON STEEL BY HYDRA POOLS**

TITLE: 22' X 40'1" KIDNEY RIGHT

PART NUMBER: **60727**

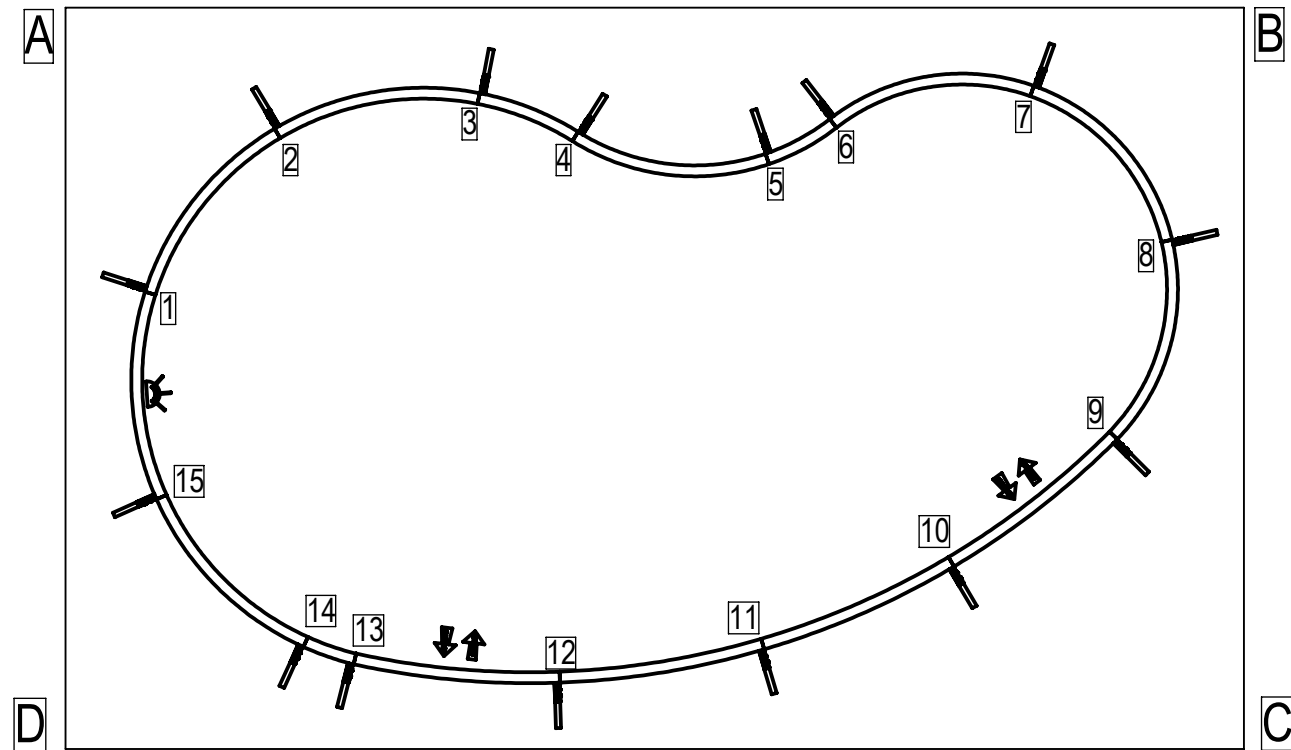
SCALE: 1:96  
SHEET: 1 OF 1  
SIZE: B

151

# 22' X 40'1" KIDNEY RIGHT

REVISION HISTORY					
REV.	DESCRIPTION	DATE	STATUS	ECO	BY

	A	B	C	D	A-B	46'- 3/8"
1	8'-10 1/2"	28'-11"	32'-3 1/8"	16'-10 1/8"	B-C	28'-11 1/2"
2	14'-7 1/4"	21'-5 1/2"	26'-4 3/8"	21'-2 1/8"	A-C	54'-4 5/8"
3	21'-1 1/4"	14'-1 1/8"	22'-3"	27'-2 3/4"		
4	25'-3"	9'-2 7/8"	21'-5 7/8"	31'-10 1/8"		
5	31'-8 1/4"	8'-5 1/8"	15'-1 1/2"	34'-1"		
6	31'-10 5/8"	14'-2 1/8"	10'-6"	30'-5 1/4"		
7	29'-5 1/8"	19'-5 1/8"	11'-3 3/8"	24'-9 7/8"		
8	25'-6 1/8"	25'-11 1/8"	17'-6 3/8"	16'-10 7/8"		
9	21'- 1/2"	31'-7 7/8"	25'-5"	9'-3 1/2"		
10	14'-3 3/8"	33'-7 3/4"	31'-10 1/8"	9'-3 1/4"		



151A

- NOTES:**
1. THESE ARE FINISHED DIMENSIONS READY FOR THE LINER.
  2. DIMENSIONS ARE FROM INSIDE POOL PANELS.
  3. THE IDEAL WATER LEVEL SHOULD BE TO THE MIDDLE OF THE SKIMMER OPENING(S).
- EXCAVATION NOTES:**
4. ROUGH EXCAVATION SHOULD BE 2" DEEPER IN EACH INSTANCE.
  5. SOIL TO HAVE MINIMUM BEARING CAPACITY OF 2000 PSF.
  6. LOCATE TOP OF POOL AT LEAST 6" ABOVE THE SURROUNDING LAND ELEVATION.
  7. SEE "OVER DIG DETAIL" FOR EXCAVATION AROUND POOL.
  8. FILL VOIDS UNDER BASE OF PANELS AND TAMP WELL.
  9. BACK FILL WITH NON-EXPANSIVE MATERIAL.

**IMPORTANT NOTES:**  
 THIS DOCUMENT IS FOR ILLUSTRATIVE PURPOSES ONLY. THE DEALER OR CONTRACTOR WHO SELLS OR INSTALLS YOUR POOL IS AN INDEPENDENT CONTRACTOR AND IS NOT AN AGENT OF THE MANUFACTURER. THE CONSTRUCTION METHODS ILLUSTRATED HERE ARE SUGGESTIONS AND APPLY ONLY TO NORMAL GROUND CONDITIONS. THERE MAY BE ADDITIONAL PRECAUTIONS AND/OR METHODS OF CONSTRUCTION. PROPER INSTALLATION IS THE RESPONSIBILITY OF THE DEALER/BUILDER/CONTRACTOR.

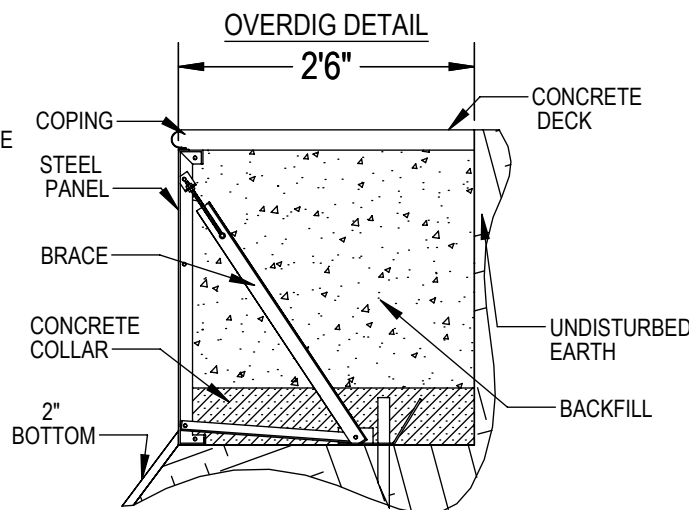
**PANEL LEGEND**



**NO DIVING WARNING:**  
 ATTENTION DEALER/BUILDER:  
 It is your responsibility to ensure the safety package provided is delivered to the pool owner and that the "NO DIVING" labels are properly installed.



"NO DIVING" WARNING LABELS MUST BE INSTALLED IN NO DIVING AREAS ACCORDING TO ANSI SPECIFICATIONS

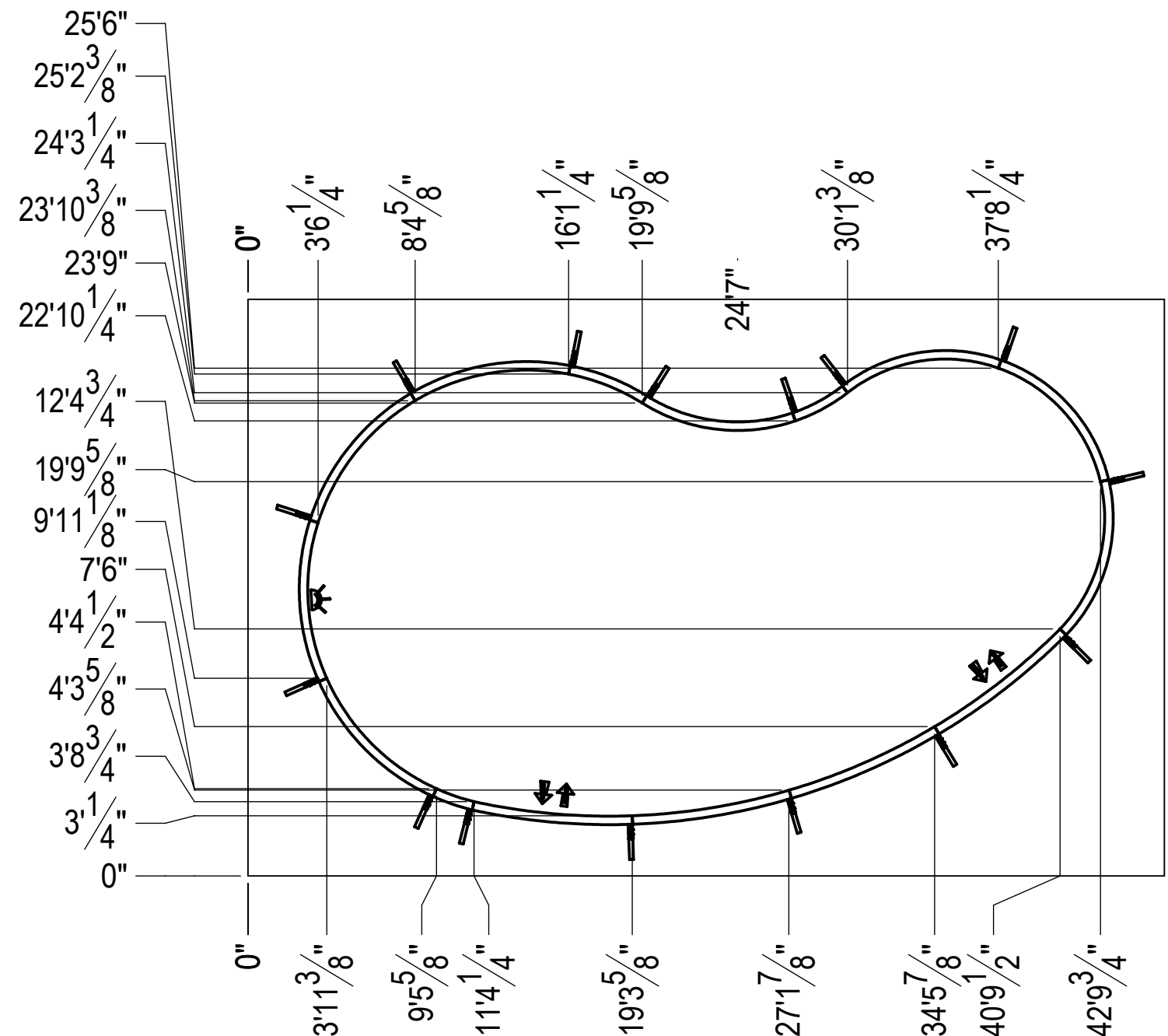
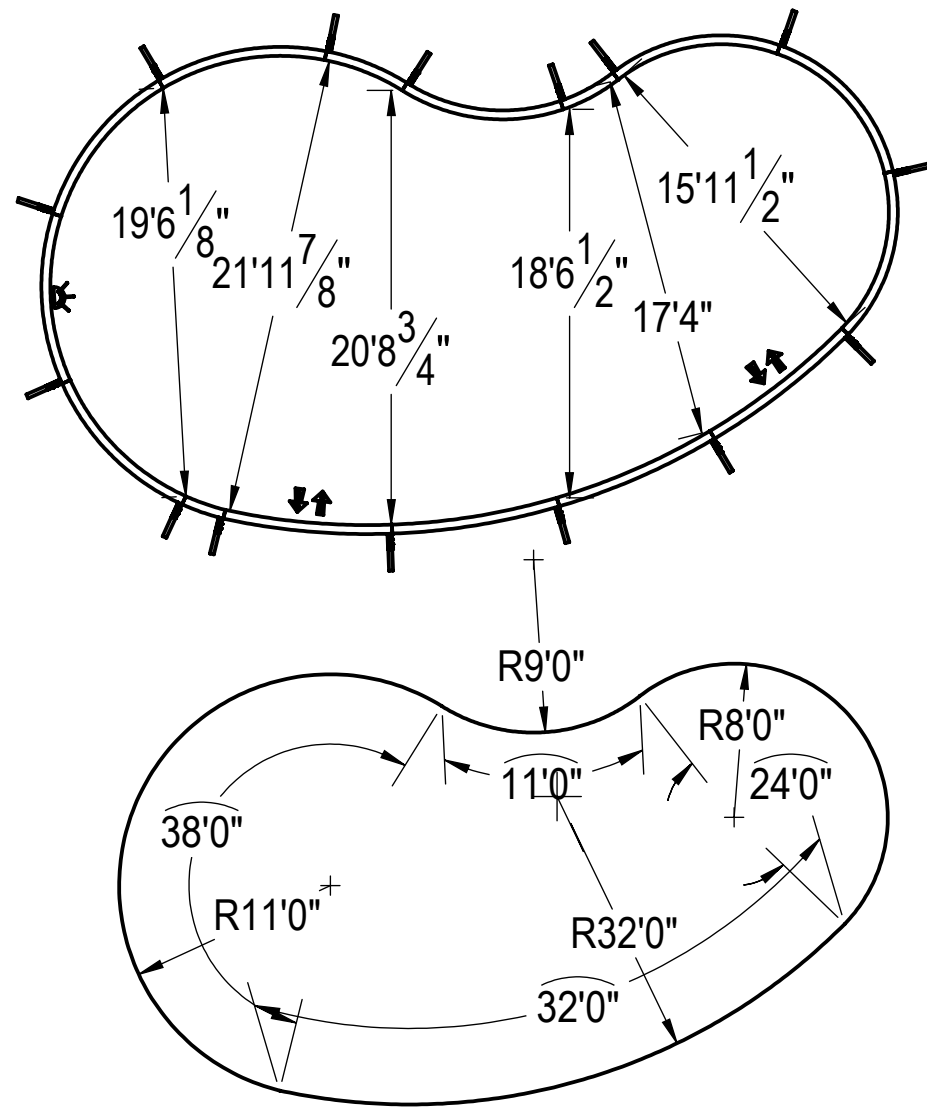


ENGINEERING DRAWING NUMBER: <b>00001222</b>	WEIGHT: 86.515 lbs	UNLESS OTHERWISE SPECIFIED DIMENSIONS ARE IN INCHES	DESIGNED BY: RCOLBOCH	CREATION DATE: 10/17/2012	<b>SAMSON STEEL                  BY HYDRA POOLS</b>  22' X 40'1" KIDNEY RIGHT  PART NUMBER: <b>60727-A</b>	
	VOLUME: 2394.720 Inch <sup>3</sup>		TOLERANCES DECIMALS: X ± 0.1 XX ± 0.01 XXX ± 0.005 XXXX ± 0.0005	DETAILED BY: Rcolboch		DETAILED DATE: 8/30/2012
	COLOR: NA	ANGULAR: X ± 0.5	LAST REVISED BY: rcolboch	LAST REVISED DATE: 11/16/2012		SCALE: 1:96
	HEAT TREAT: NA	THIRD ANGLE PROJECTION	MATERIAL: Material <not specified>			SIZE: B
	FINISH: NA				SHEET: 1 OF 1	
	TEXTURE: NA					

# 22' X 40'1" KIDNEY RIGHT

## REVISION HISTORY

REV.	DESCRIPTION	DATE	STATUS	ECO	BY
------	-------------	------	--------	-----	----



### NOTES:

1. THESE ARE FINISHED DIMENSIONS READY FOR THE LINER.
2. DIMENSIONS ARE FROM INSIDE POOL PANELS.
3. THE IDEAL WATER LEVEL SHOULD BE TO THE MIDDLE OF THE SKIMMER OPENING(S).

### EXCAVATION NOTES:

4. ROUGH EXCAVATION SHOULD BE 2" DEEPER IN EACH INSTANCE.
5. SOIL TO HAVE MINIMUM BEARING CAPACITY OF 2000 PSF.
6. LOCATE TOP OF POOL AT LEAST 6" ABOVE THE SURROUNDING LAND ELEVATION.
7. SEE "OVER DIG DETAIL" FOR EXCAVATION AROUND POOL.
8. FILL VOIDS UNDER BASE OF PANELS AND TAMP WELL.
9. BACK FILL WITH NON-EXPANSIVE MATERIAL.

### IMPORTANT NOTES:

THIS DOCUMENT IS FOR ILLUSTRATIVE PURPOSES ONLY. THE DEALER OR CONTRACTOR WHO SELLS OR INSTALLS YOUR POOL IS AN INDEPENDENT CONTRACTOR AND IS NOT AN AGENT OF THE MANUFACTURER. THE CONSTRUCTION METHODS ILLUSTRATED HERE ARE SUGGESTIONS AND APPLY ONLY TO NORMAL GROUND CONDITIONS. THERE MAY BE ADDITIONAL PRECAUTIONS AND/OR METHODS OF CONSTRUCTION. PROPER INSTALLATION IS THE RESPONSIBILITY OF THE DEALER/BUILDER/CONTRACTOR.

### PANEL LEGEND

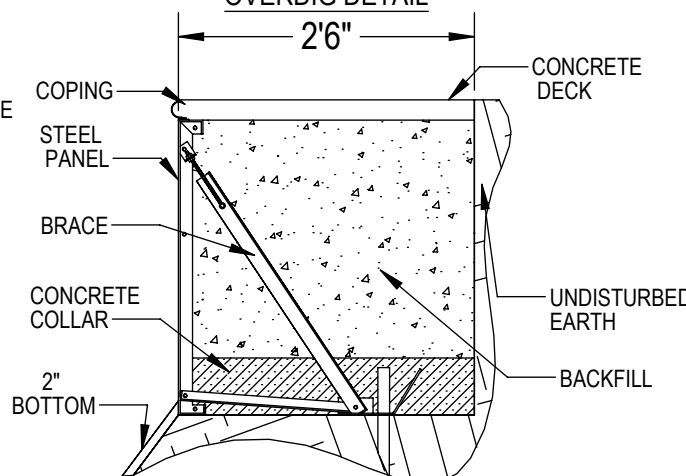


**NO DIVING WARNING:**  
**ATTENTION DEALER/BUILDER:**  
 It is your responsibility to ensure the safety package provided is delivered to the pool owner and that the "NO DIVING" labels are properly installed.



"NO DIVING" WARNING LABELS MUST BE INSTALLED IN NO DIVING AREAS ACCORDING TO ANSI SPECIFICATIONS

### OVERDIG DETAIL



ENGINEERING DRAWING NUMBER: <b>00001222</b>	WEIGHT: 86.515 lbs	UNLESS OTHERWISE SPECIFIED DIMENSIONS ARE IN INCHES	DESIGNED BY: RCOLBOCH	CREATION DATE: 10/17/2012	<b>SAMSON STEEL                  BY HYDRA POOLS</b> TITLE: <b>22' X 40'1" KIDNEY RIGHT</b>	
	VOLUME: 2394.720 Inch <sup>3</sup>		TOLERANCES DECIMALS: X ± 0.1 XX ± 0.01 XXX ± 0.005 XXXX ± 0.0005	DETAILED BY: Rcolboch		DETAILED DATE: 8/30/2012
	COLOR: NA	ANGULAR: X ± 0.5	LAST REVISED BY: rcolboch	LAST REVISED DATE: 11/16/2012		PART NUMBER: <b>60727-B</b>
	HEAT TREAT: NA	THIRD ANGLE PROJECTION	MATERIAL: Material <not specified>	SCALE: 1:96		
FINISH: NA				SHEET: 1 OF 1		
TEXTURE: NA						

151B