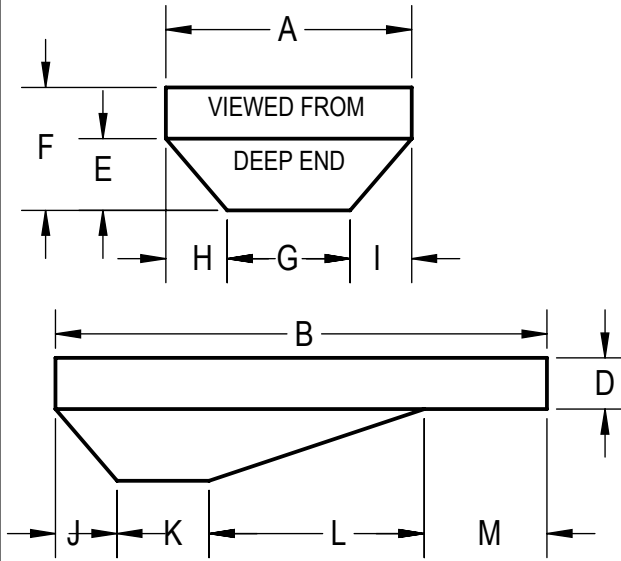


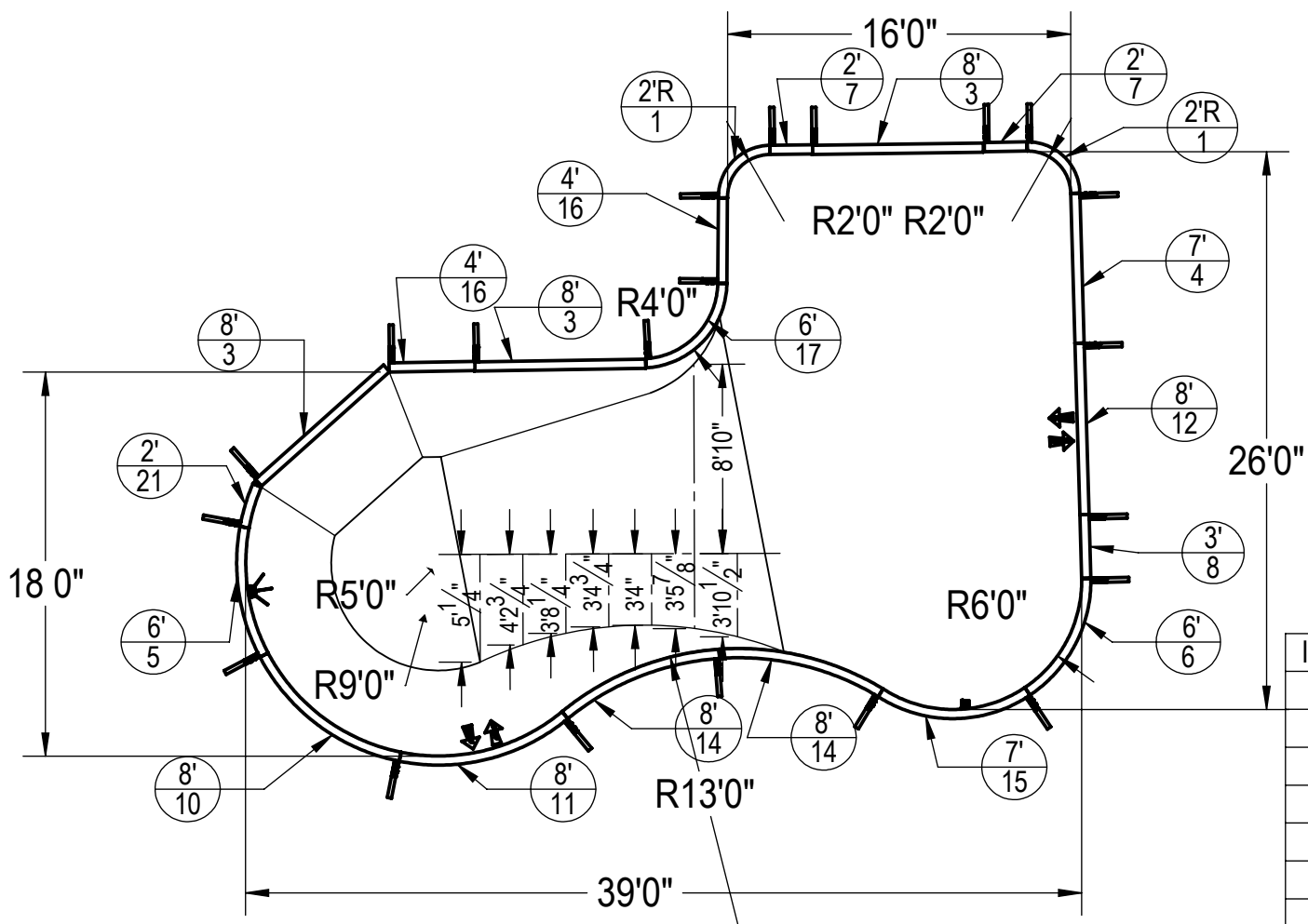
# 18' X 39' MARQUISE 2'R

REVISION HISTORY					
REV.	DESCRIPTION	DATE	STATUS	ECO	BY

DIMENSIONS	SQ FOOT	758	PERIMETER	119'2"	GALLONS	27518
------------	---------	-----	-----------	--------	---------	-------



A	18'	K	6'0"
B	39'	L	14'0"
D	3'4"	M	15'0"
E	4'-8"	M2	
F	8'0"	T	16'0"
G	10'0"	S	26'0"
H	4'0"	N	
I	4'0"	P	
J	4'0"	U	



ITEM NO.	PART NUMBER	DESCRIPTION	QTY.
1	HPSD2R	2'R PANEL	2
2	HPSFOB	STEEL BRACE	22
3	HPSD108P	8' PLAIN PANEL	3
4	HPSD107P	7' PLAIN PANEL	1
5	HPS9R6L	9'R 6' LIGHT PANEL	1
6	HPSD6R6	6'R 6' PLAIN PANEL	1
7	HPSD102P	2' PLAIN PANEL	2
8	HPSD103P	3' PLAIN PANEL	1
9	HPSD9R4	9'R 4' PLAIN PANEL	1
10	HPSD9R8	9'R 8' PLAIN PANEL	1
11	HPSD9R8AG	9'R 8' AQUAGENIE PANEL	1
12	HPSD108AG	8' AG PANEL	1
14	HPSD13RR8	13' R RADIUS PANEL	2
15	HPSD6R7	6'R 7' PLAIN PANEL	1
16	HPSD104P	4' PLAIN PANEL	2
17	HPSD4RR6	4'R 6' REVERSE PANEL	1
18	HPS1916	BOLT PACK 50 PCS	6
19	HPSA26	26° ANGLE	1
20	HPSA41	41° ANGLE	1
21	HPSD9R2	9'R 2' PLAIN PANEL	1

**NOTES:**  
 1. THESE ARE FINISHED DIMENSIONS READY FOR THE LINER.  
 2. DIMENSIONS ARE FROM INSIDE POOL PANELS.  
 3. THE IDEAL WATER LEVEL SHOULD BE TO THE MIDDLE OF THE SKIMMER OPENING(S).

**EXCAVATION NOTES:**  
 4. ROUGH EXCAVATION SHOULD BE 2" DEEPER IN EACH INSTANCE.  
 5. SOIL TO HAVE MINIMUM BEARING CAPACITY OF 2000 PSF.  
 6. LOCATE TOP OF POOL AT LEAST 6" ABOVE THE SURROUNDING LAND ELEVATION.  
 7. SEE "OVER DIG DETAIL" FOR EXCAVATION AROUND POOL.  
 8. FILL VOIDS UNDER BASE OF PANELS AND TAMP WELL.  
 9. BACK FILL WITH NON-EXPANSIVE MATERIAL.

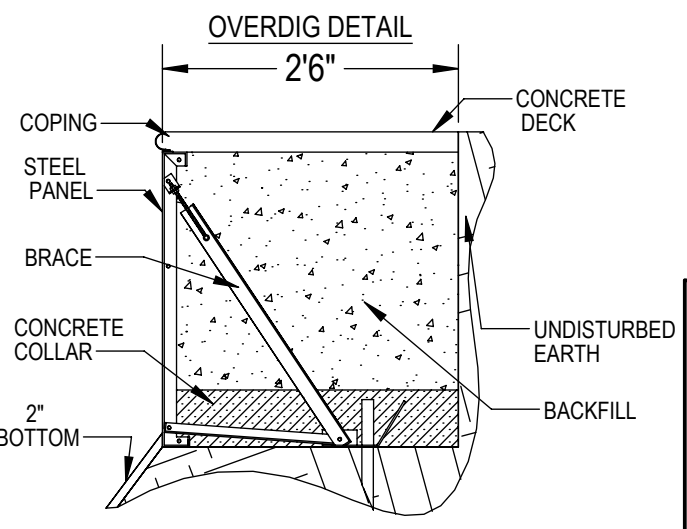
**IMPORTANT NOTES:**  
 THIS DOCUMENT IS FOR ILLUSTRATIVE PURPOSES ONLY. THE DEALER OR CONTRACTOR WHO SELLS OR INSTALLS YOUR POOL IS AN INDEPENDENT CONTRACTOR AND IS NOT AN AGENT OF THE MANUFACTURER. THE CONSTRUCTION METHODS ILLUSTRATED HERE ARE SUGGESTIONS AND APPLY ONLY TO NORMAL GROUND CONDITIONS. THERE MAY BE ADDITIONAL PRECAUTIONS AND/OR METHODS OF CONSTRUCTION. PROPER INSTALLATION IS THE RESPONSIBILITY OF THE DEALER/BUILDER/CONTRACTOR.

**PANEL LEGEND**

LIGHT SKIMMER AQUAGENIE

**NO DIVING WARNING:**  
 ATTENTION DEALER/BUILDER:  
 It is your responsibility to ensure the safety package provided is delivered to the pool owner and that the "NO DIVING" labels are properly installed.

"NO DIVING" WARNING LABELS MUST BE INSTALLED IN NO DIVING AREAS ACCORDING TO ANSI SPECIFICATIONS



ENGINEERING DRAWING NUMBER: <b>00001323</b>	WEIGHT: 86.515 lbs	DESIGNED BY: RCOLBOCH	CREATION DATE: 10/17/2012	
	VOLUME: 2394.720 Inch <sup>3</sup>	DIMENSIONS ARE IN INCHES	DETAILED BY: Rcolboch	
	COLOR: NA	TOLERANCES DECIMALS: X ± 0.1 XX ± 0.01 XXX ± 0.005 XXXX ± 0.0005	LAST REVISED BY: rcolboch	DETAILED DATE: 8/30/2012
	HEAT TREAT: NA	ANGULAR: X ± 0.5 THIRD ANGLE PROJECTION	LAST REVISED DATE: 11/16/2012	TITLE: <b>SAMSON STEEL BY HYDRA POOLS 18' X 39' MARQUISE 2'R</b>
FINISH: NA		MATERIAL: Material <not specified>	PART NUMBER: <b>60983</b>	
TEXTURE: NA			SCALE: 1:96 SHEET: 1 OF 1 SIZE: <b>B</b>	

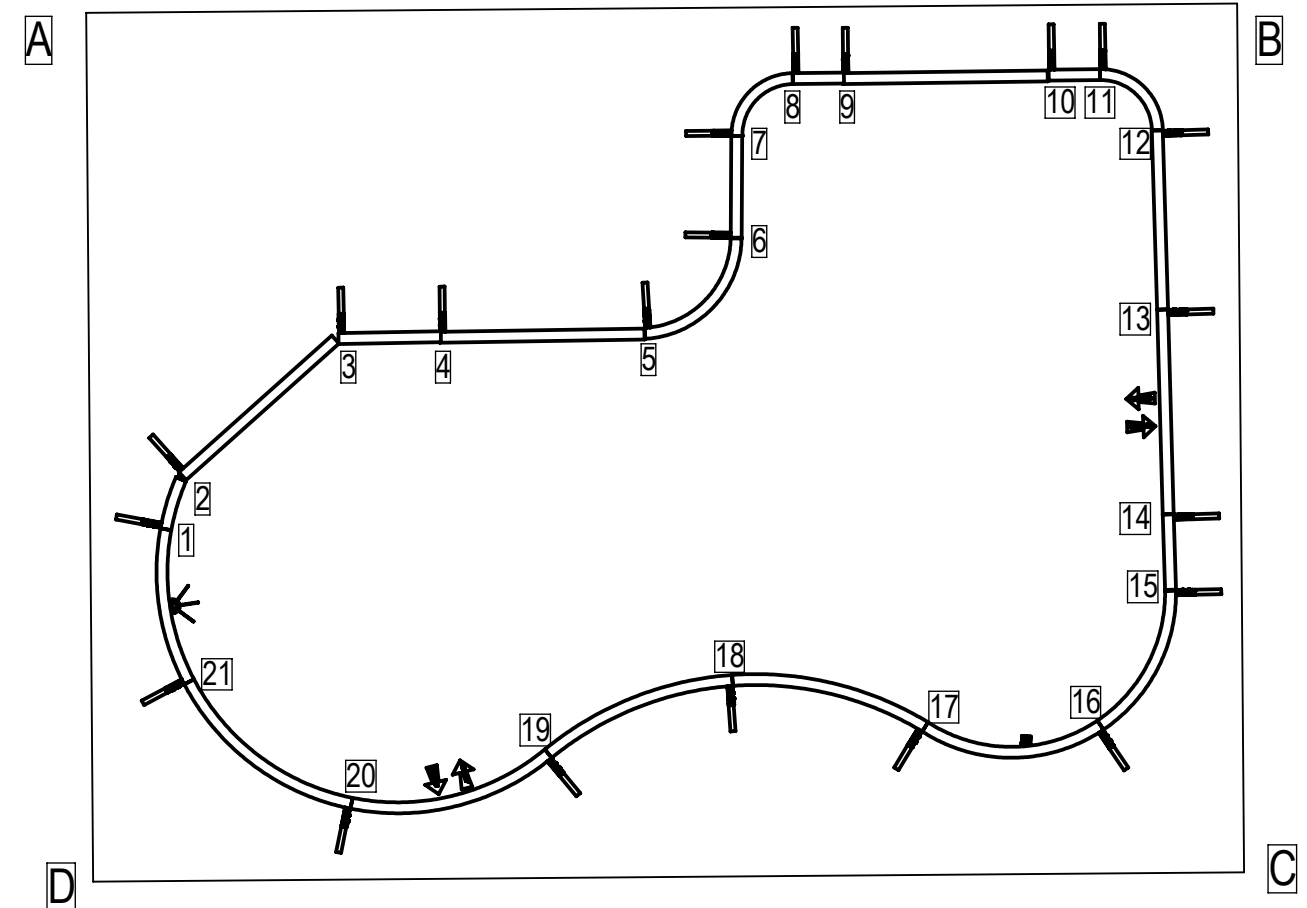
169

# 18' X 39' MARQUISE 2'R

REVISION HISTORY					
REV.	DESCRIPTION	DATE	STATUS	ECO	BY

	A	B	C	D
1	20'-5 7/8"	46'-5 1/4"	43'-11 7/8"	14'- 3/4"
2	16'-2 1/2"	45'-1 3/8"	44'- 3/4"	16'- 7/8"
3	16'-3 1/8"	37'-6 3/8"	41'- 7/8"	23'-1"
4	18'-11"	33'-9 1/2"	37'-7"	25'- 7/8"
5	25'-3 5/8"	26'-6 3/4"	31'-3 3/4"	30'-3"
6	27'-1"	21'-4 7/8"	31'-7 1/8"	35'-8 3/8"
7	27'-9"	20'-0"	34'-9 5/8"	38'-7 3/8"
8	29'-8 7/8"	17'-7 5/8"	35'-5 3/4"	41'-5 3/8"
9	29'-8 7/8"	15'-8"	34'-6 5/8"	42'-9 3/4"
10	37'-8 3/8"	7'-11 3/8"	31'-10 1/8"	48'-8 1/2"
11	41'-10 5/8"	6'-1 5/8"	31'-5 1/2"	50'-3 1/4"
12	43'-4 7/8"	5'-11 3/4"	29'-2 3/8"	50'-8 1/2"
13	46'-4 3/4"	12'-4 3/8"	22'-2 7/8"	47'-2 1/8"
14	47'-9 1/2"	20'-2"	14'-8 1/4"	44'-2 1/8"
15	48'-2 5/8"	23'-1"	11'-5 1/2"	43'-4 3/4"
16	43'- 1/8"	28'-6 1/2"	8'-3"	39'-8 3/4"
17	36'-1 5/8"	30'-6 3/4"	13'-8"	33'-2 3/8"
18	36'-1 5/8"	32'-9 7/8"	21'-5 1/4"	26'-2 3/4"
19	33'-10 3/4"	39'-9"	27'-8 3/4"	10'-7 7/8"
20	32'-4 5/8"	46'-5 1/4"	34'-11 1/4"	18'-4 5/8"
21	26'-4 1/2"	48'-6 5/8"	41'-8 1/2"	8'-10"

A-B	44'-11 1/2"
B-C	33'-11 1/4"
A-C	56'-4"



**NOTES:**  
 1. THESE ARE FINISHED DIMENSIONS READY FOR THE LINER.  
 2. DIMENSIONS ARE FROM INSIDE POOL PANELS.  
 3. THE IDEAL WATER LEVEL SHOULD BE TO THE MIDDLE OF THE SKIMMER OPENING(S).

**EXCAVATION NOTES:**  
 4. ROUGH EXCAVATION SHOULD BE 2" DEEPER IN EACH INSTANCE.  
 5. SOIL TO HAVE MINIMUM BEARING CAPACITY OF 2000 PSF.  
 6. LOCATE TOP OF POOL AT LEAST 6" ABOVE THE SURROUNDING LAND ELEVATION.  
 7. SEE "OVER DIG DETAIL" FOR EXCAVATION AROUND POOL.  
 8. FILL VOIDS UNDER BASE OF PANELS AND TAMP WELL.  
 9. BACK FILL WITH NON-EXPANSIVE MATERIAL.

**IMPORTANT NOTES:**  
 THIS DOCUMENT IS FOR ILLUSTRATIVE PURPOSES ONLY. THE DEALER OR CONTRACTOR WHO SELLS OR INSTALLS YOUR POOL IS AN INDEPENDENT CONTRACTOR AND IS NOT AN AGENT OF THE MANUFACTURER. THE CONSTRUCTION METHODS ILLUSTRATED HERE ARE SUGGESTIONS AND APPLY ONLY TO NORMAL GROUND CONDITIONS. THERE MAY BE ADDITIONAL PRECAUTIONS AND/OR METHODS OF CONSTRUCTION. PROPER INSTALLATION IS THE RESPONSIBILITY OF THE DEALER/BUILDER/CONTRACTOR.

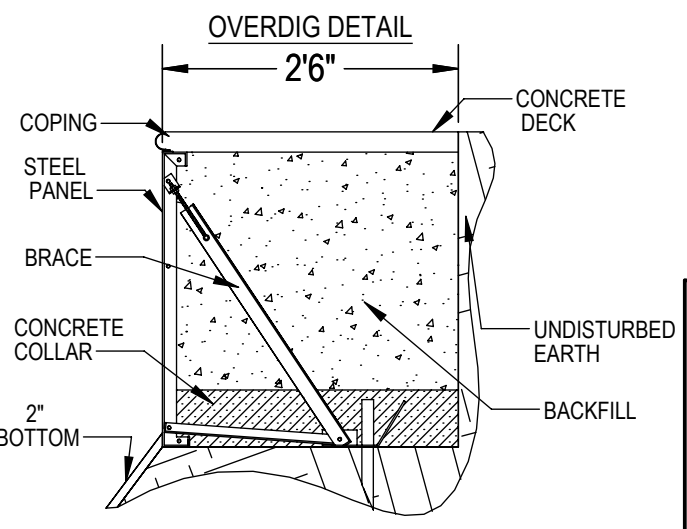
**PANEL LEGEND**



**NO DIVING WARNING:**  
 ATTENTION DEALER/BUILDER:  
 It is your responsibility to ensure the safety package provided is delivered to the pool owner and that the "NO DIVING" labels are properly installed.



"NO DIVING" WARNING LABELS MUST BE INSTALLED IN NO DIVING AREAS ACCORDING TO ANSI SPECIFICATIONS

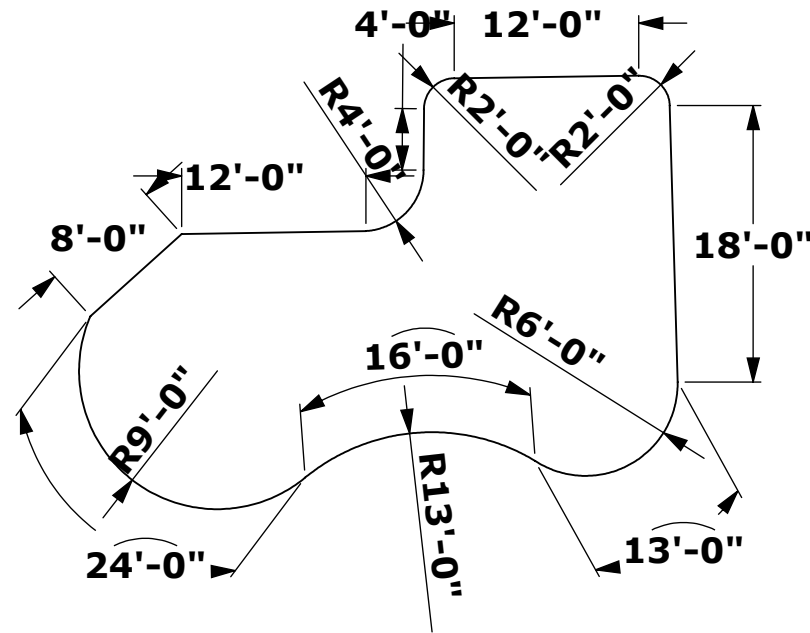
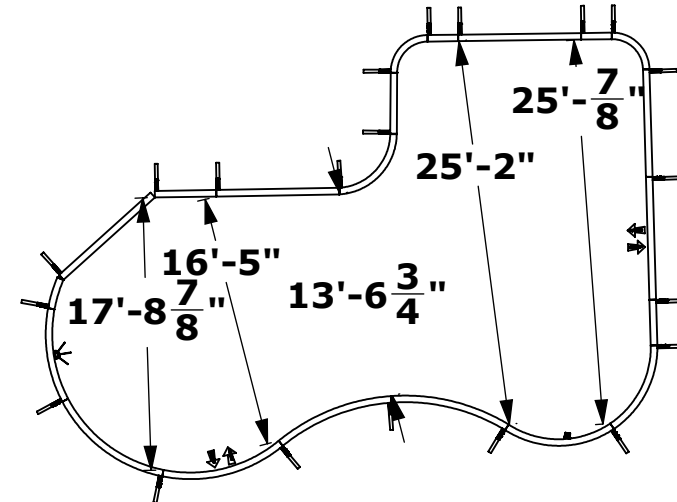
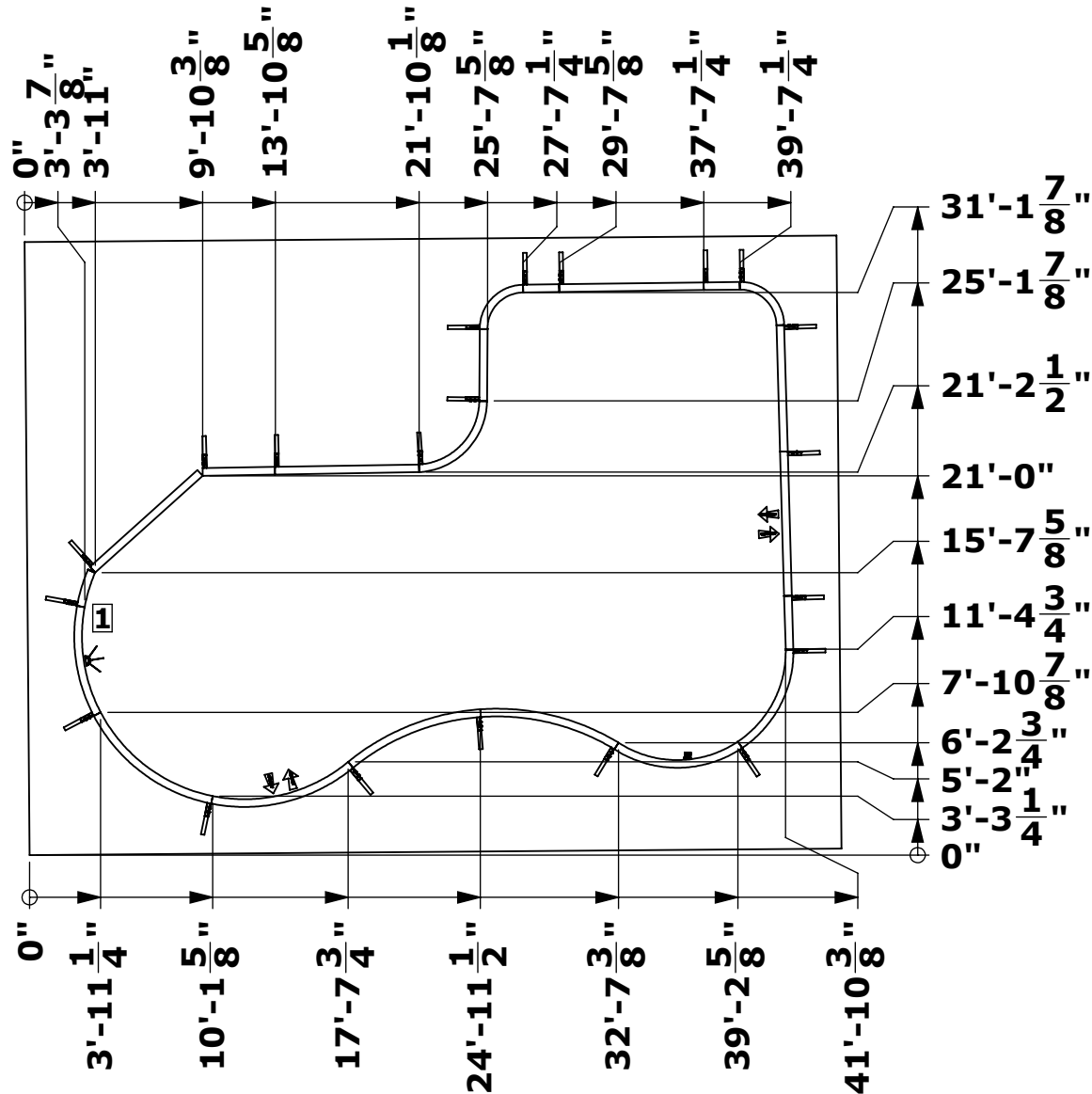


ENGINEERING DRAWING NUMBER: <b>00001323</b>	WEIGHT: 86.515 lbs	UNLESS OTHERWISE SPECIFIED DIMENSIONS ARE IN INCHES TOLERANCES DECIMALS: X ± 0.1 XX ± 0.01 XXX ± 0.005 XXXX ± 0.0005 ANGULAR: X ± 0.5 THIRD ANGLE PROJECTION	DESIGNED BY: RCOLBOCH	CREATION DATE: 10/17/2012	SAMSON STEEL BY HYDRA POOLS 18' X 39' MARQUISE 2'R
	VOLUME: 2394.720 Inch <sup>3</sup>		DETAILED BY: RCOLBOCH	DETAILED DATE: 8/30/2012	
	COLOR: NA		LAST REVISED BY: rcolboch	LAST REVISED DATE: 11/16/2012	
	HEAT TREAT: NA		MATERIAL: Material <not specified>		
FINISH: NA					PART NUMBER: <b>60983-A</b>
TEXTURE: NA					SCALE: 1:96 SHEET: 1 OF 1

169A

# 18' X 39' MARQUISE 2'R

1699B



ATTENTION DEALER/BUILDER:  
It is your responsibility to ensure the safety package provided is delivered to the pool owner and that the "NO DIVING" labels are properly installed.

'NO DIVING' WARNING LABELS MUST BE INSTALLED IN NO DIVING AREAS ACCORDING NSPI SPECIFICATIONS



\* SUGGESTED LABEL LOCATIONS ARE SPECIFIED IN THE COPING LAYOUT

**PRE-CUT PANEL LEGEND**



**GENERAL NOTES      EXCAVATION NOTES      ADDITIONAL NOTES**

1. These are finished dimensions ready for the liner.
2. Dimensions are from inside pool panels.
3. The ideal water level should be to the middle of the skimmer opening(s).

1. Rough excavation should be 2" deeper in each instance.
2. Soil to have minimum bearing capacity of 2000 P.S.F.
3. Locate top of pool at least 6" above surrounding land elevation.
4. See 'Overdig Detail' for excavation around pool.
5. Fill voids under base of panels and tamp well.
6. Backfill with non-expansive material.

THIS DOCUMENT IS FOR ILLUSTRATIVE PURPOSES ONLY.  
The dealer or contractor who sells or installs your pool is an independent contractor and is not an agent of the Manufacturer. The construction methods illustrated here are suggestions and apply only to normal ground conditions. There may be additional precautions and/or methods of construction. Proper installation is the responsibility of the dealer/builder/contractor.

**SAMSON STEEL**      543 South Main Street Sweetwater, TN 37874

DATE 9/11/2012	DRAWING TITLE 18' X 39' MARQUISE 2'R	DRAWING NUMBER 60983-B
-------------------	---	---------------------------