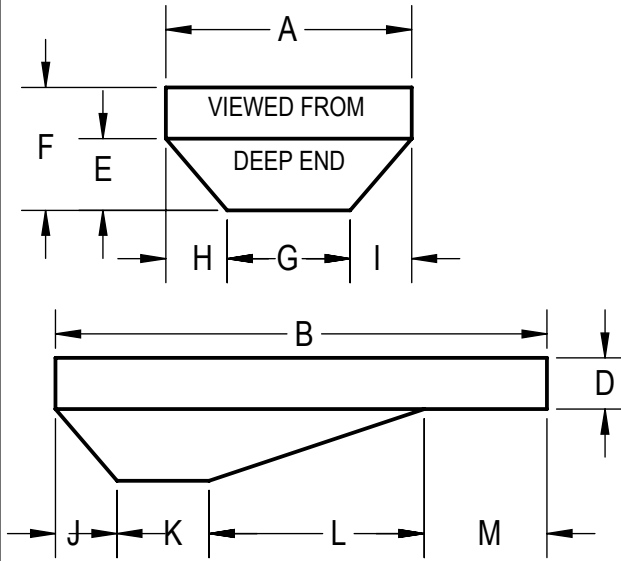


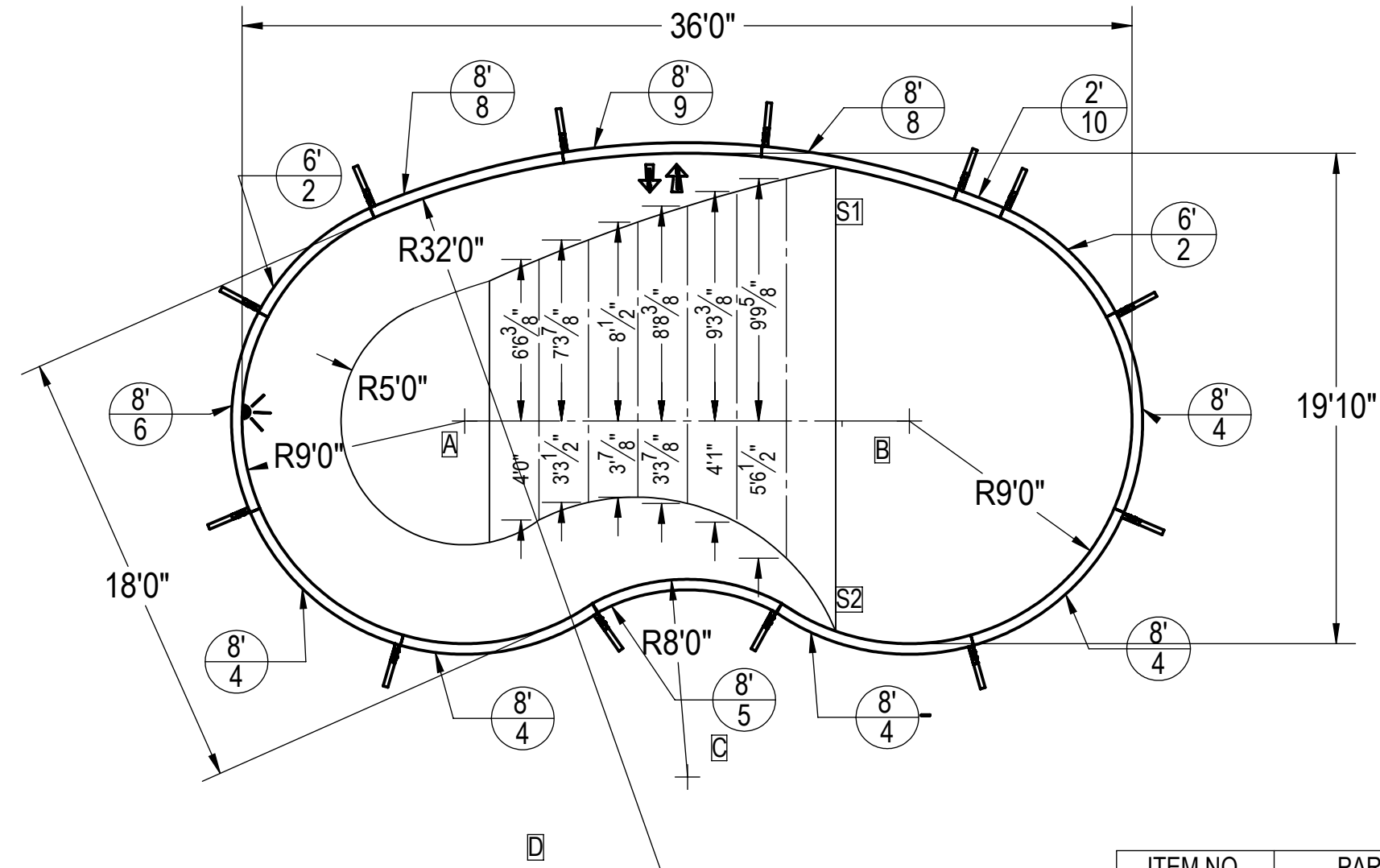
18' X 36' KIDNEY LEFT

REVISION HISTORY		DATE	STATUS	ECO	BY
REV.	DESCRIPTION				

DIMENSIONS	SQ FOOT	648	PERIMETER	95'	GALLONS	20042
------------	---------	-----	-----------	-----	---------	-------



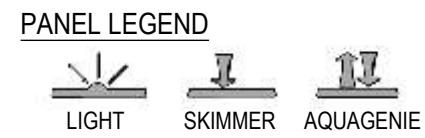
A	18'	K	6'0"
B	36'	L	14'0"
D	3'4"	M	12'0"
E	4'-8"	M2	
F	8'0"	T	
G	10'0"	S	
H	4'0"	N	
I	4'0"	P	
J	4'0"	U	



A-B	18'0"
A-C	17'0"
A-D	23'0"
B-C	17'0"
B-D	23'0"
A-S1	18'2 1/8"
B-S1	10'8 1/4"
A-S2	17'2 7/8"
B-S2	9'0"

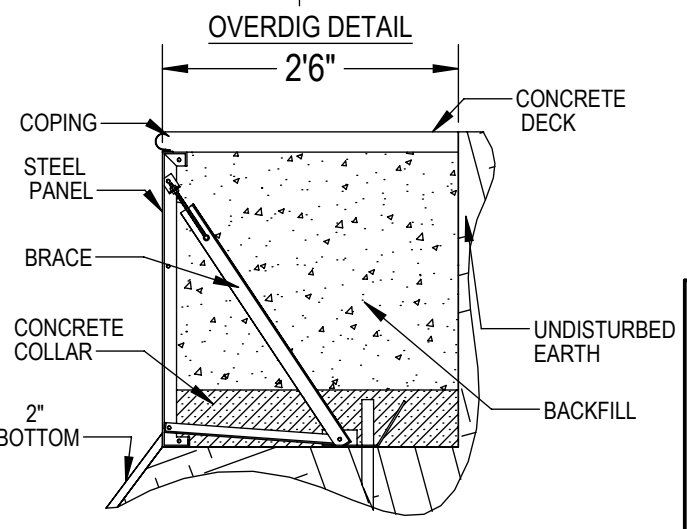
- NOTES:**
- THESE ARE FINISHED DIMENSIONS READY FOR THE LINER.
 - DIMENSIONS ARE FROM INSIDE POOL PANELS.
 - THE IDEAL WATER LEVEL SHOULD BE TO THE MIDDLE OF THE SKIMMER OPENING(S).
- EXCAVATION NOTES:**
- ROUGH EXCAVATION SHOULD BE 2" DEEPER IN EACH INSTANCE.
 - SOIL TO HAVE MINIMUM BEARING CAPACITY OF 2000 PSF.
 - LOCATE TOP OF POOL AT LEAST 6" ABOVE THE SURROUNDING LAND ELEVATION.
 - SEE "OVER DIG DETAIL" FOR EXCAVATION AROUND POOL.
 - FILL VOIDS UNDER BASE OF PANELS AND TAMP WELL.
 - BACK FILL WITH NON-EXPANSIVE MATERIAL.

IMPORTANT NOTES:
 THIS DOCUMENT IS FOR ILLUSTRATIVE PURPOSES ONLY. THE DEALER OR CONTRACTOR WHO SELLS OR INSTALLS YOUR POOL IS AN INDEPENDENT CONTRACTOR AND IS NOT AN AGENT OF THE MANUFACTURER. THE CONSTRUCTION METHODS ILLUSTRATED HERE ARE SUGGESTIONS AND APPLY ONLY TO NORMAL GROUND CONDITIONS. THERE MAY BE ADDITIONAL PRECAUTIONS AND/OR METHODS OF CONSTRUCTION. PROPER INSTALLATION IS THE RESPONSIBILITY OF THE DEALER/BUILDER/CONTRACTOR.



NO DIVING WARNING:
 ATTENTION DEALER/BUILDER:
 It is your responsibility to ensure the safety package provided is delivered to the pool owner and that the "NO DIVING" labels are properly installed.

NO DIVING WARNING LABELS MUST BE INSTALLED IN NO DIVING AREAS ACCORDING TO ANSI SPECIFICATIONS



ITEM NO.	PART NUMBER	DESCRIPTION	QTY.
2	HPSD9R6	9'R 6' PLAIN PANEL	2
3	HPSFOB	STEEL BRACE	13
4	HPSD9R8	9'R 8' PLAIN PANEL	5
5	HPSD8RR8	8'R 8' REVERSE PANEL	1
6	HPSD9R8L	9'R 8' LIGHT PANEL	1
7	HPS1916	BOLT PACK 50 PCS	4
8	HPSD32R8	32'R 8' PLAIN PANEL	2
9	HPSD32R8AG	32'R 8' AG PANEL	1
10	HPSD32R2	32'R 2' PANEL	1

UNLESS OTHERWISE SPECIFIED

DESIGNED BY: RCOLBOCH
 DETAILED BY: Rcolboch
 LAST REVISED BY: rcolboch

CREATION DATE: 10/17/2012
 DETAILED DATE: 8/30/2012
 LAST REVISED DATE: 11/16/2012

TOLERANCES DECIMALS: X ± 0.1
 XX ± 0.01
 XXX ± 0.005
 XXXX ± 0.0005

ANGULAR: X ± 0.5
 THIRD ANGLE PROJECTION

WEIGHT: 86,515 lbs
 VOLUME: 2394.720 Inch³

COLOR: NA
 HEAT TREAT: NA
 FINISH: NA
 TEXTURE: NA

SAMSON STEEL BY HYDRA POOLS
 18' X 36' KIDNEY LEFT

PART NUMBER: **60717**

SCALE: 1:96
 SHEET: 1 OF 1
 SIZE: B

149