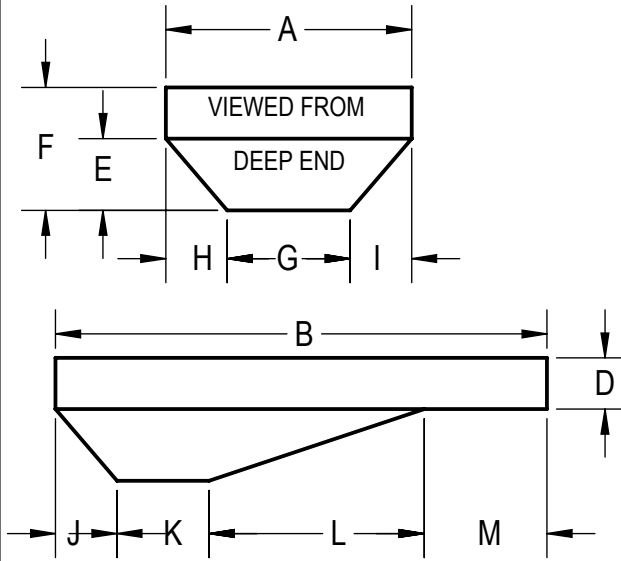


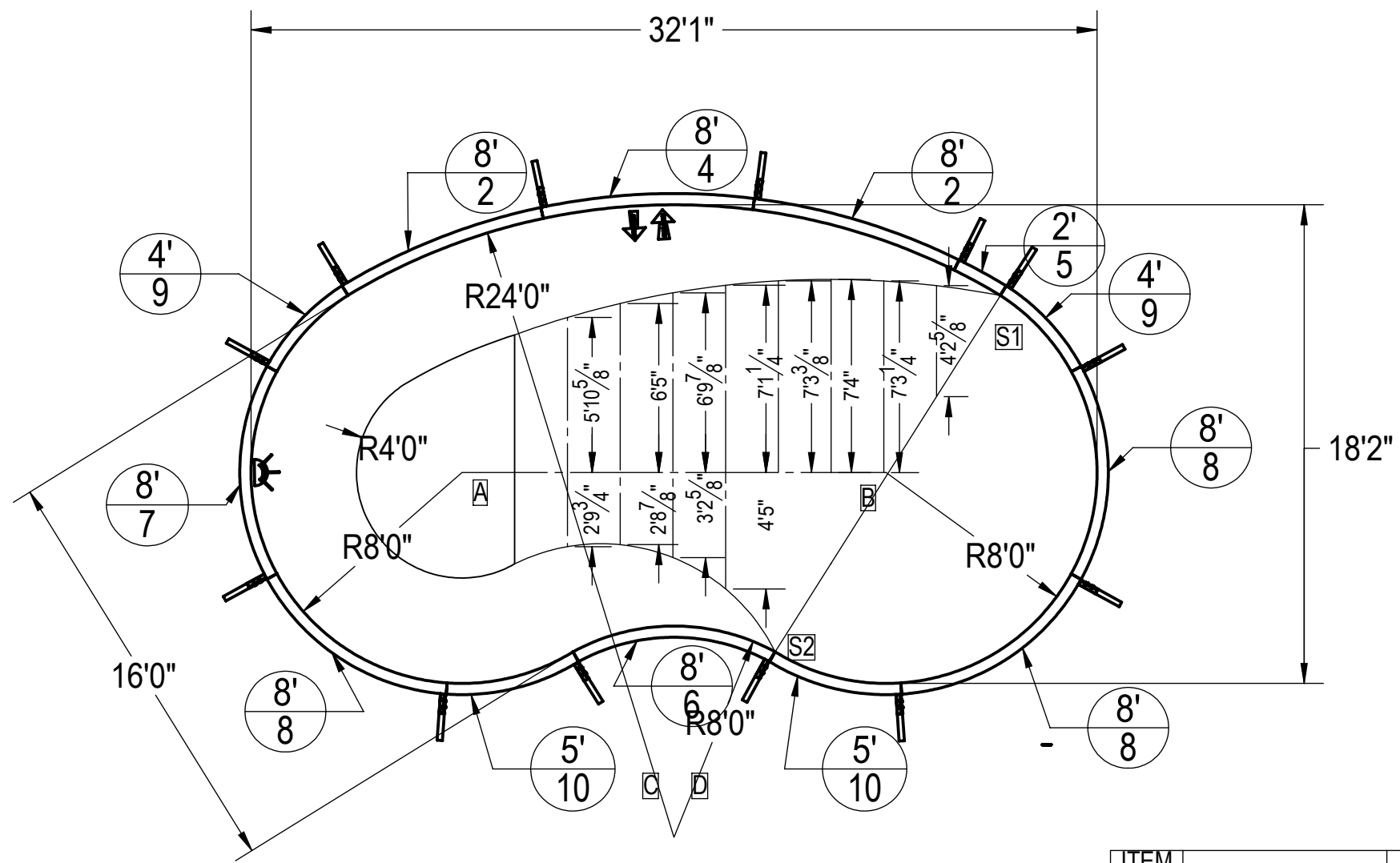
16' X 32'1" KIDNEY LEFT

REVISION HISTORY					
REV.	DESCRIPTION	DATE	STATUS	ECO	BY

DIMENSIONS	SQ FOOT	515	PERIMETER	84'	GALLONS	16487
------------	---------	-----	-----------	-----	---------	-------



A	16'	K	6'0"
B	32'-1"	L	14'2"
D	3'4"	M	7' 11"
E	4'-8"	M2	
F	8'0"	T	
G	8'0"	S	
H	4'0"	N	
I	4'0"	P	
J	4'0"	U	



A-B	16'1"
A-C	16'0"
A-D	16'0"
B-C	16'0"
B-D	16'0"
A-S1	21'6 1/8"
A-S2	13'8 1/4"

NOTES:

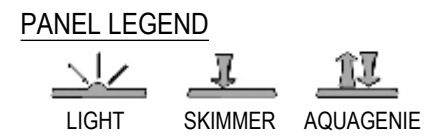
- THESE ARE FINISHED DIMENSIONS READY FOR THE LINER.
- DIMENSIONS ARE FROM INSIDE POOL PANELS.
- THE IDEAL WATER LEVEL SHOULD BE TO THE MIDDLE OF THE SKIMMER OPENING(S).

EXCAVATION NOTES:

- ROUGH EXCAVATION SHOULD BE 2" DEEPER IN EACH INSTANCE.
- SOIL TO HAVE MINIMUM BEARING CAPACITY OF 2000 PSF.
- LOCATE TOP OF POOL AT LEAST 6" ABOVE THE SURROUNDING LAND ELEVATION.
- SEE "OVER DIG DETAIL" FOR EXCAVATION AROUND POOL.
- FILL VOIDS UNDER BASE OF PANELS AND TAMP WELL.
- BACK FILL WITH NON-EXPANSIVE MATERIAL.

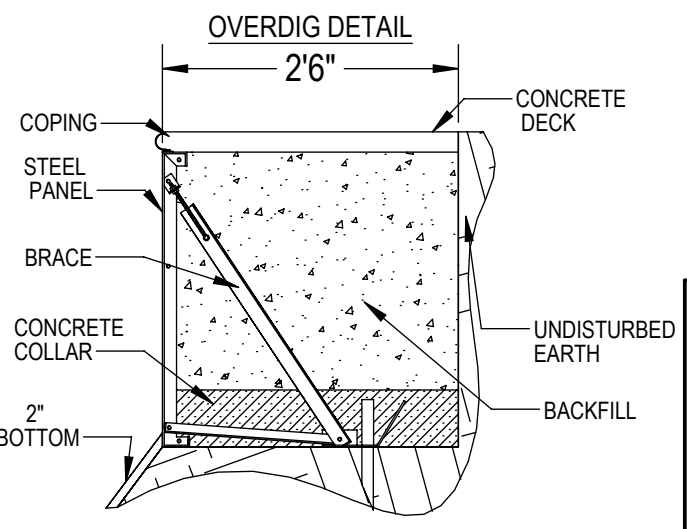
IMPORTANT NOTES:

THIS DOCUMENT IS FOR ILLUSTRATIVE PURPOSES ONLY. THE DEALER OR CONTRACTOR WHO SELLS OR INSTALLS YOUR POOL IS AN INDEPENDENT CONTRACTOR AND IS NOT AN AGENT OF THE MANUFACTURER. THE CONSTRUCTION METHODS ILLUSTRATED HERE ARE SUGGESTIONS AND APPLY ONLY TO NORMAL GROUND CONDITIONS. THERE MAY BE ADDITIONAL PRECAUTIONS AND/OR METHODS OF CONSTRUCTION. PROPER INSTALLATION IS THE RESPONSIBILITY OF THE DEALER/BUILDER/CONTRACTOR.



NO DIVING WARNING:
ATTENTION DEALER/BUILDER:
It is your responsibility to ensure the safety package provided is delivered to the pool owner and that the "NO DIVING" labels are properly installed.

"NO DIVING" WARNING LABELS MUST BE INSTALLED IN NO DIVING AREAS ACCORDING TO ANSI SPECIFICATIONS



ITEM NO.	PART NUMBER	DESCRIPTION	QTY.
2	HPSD24R8	24'R 8' PLAIN PANEL	2
3	HPSFOB	STEEL BRACE	13
4	HPSD24R8AG	24'R 8' AG PANEL	1
5	HPSD24R2	24'R 2' PLAIN PANEL	1
6	HPSD8RR8	8'R 8' REVERSE PANEL	1
7	HPSD8R8L	8'R 8' LIGHT PANEL	1
8	HPSD8R8	8'R 8' PLAIN PANEL	3
9	HPSD8R4	8'R 4' PLAIN PANEL	2
10	HPSD8R5	8'R 5' PLAIN PANEL	2
11	HPS1916	BOLT PACK 50 PCS	3

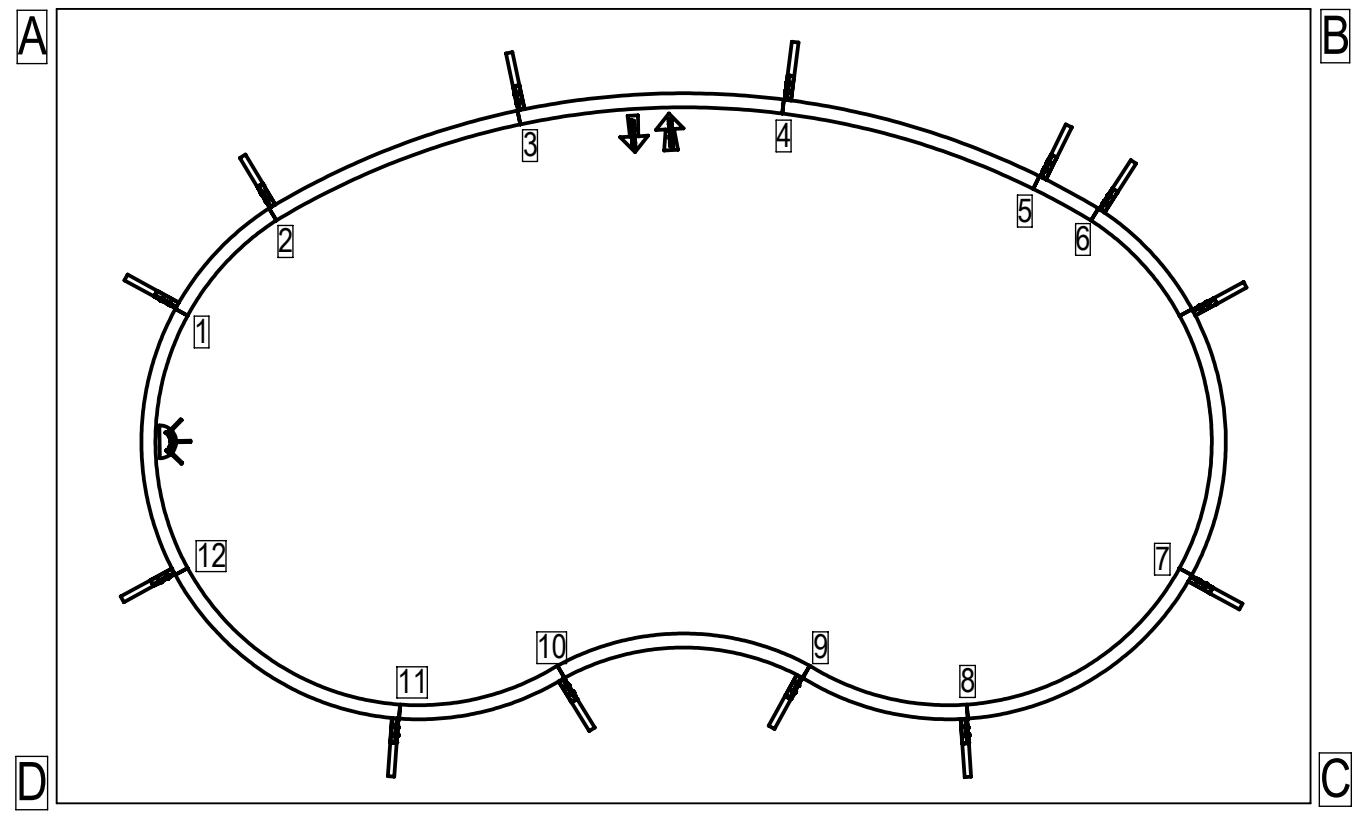
ENGINEERING DRAWING NUMBER: 00001198	WEIGHT: 86.515 lbs VOLUME: 2394.720 Inch ³	DESIGNED BY: RCOLBOCH CREATION DATE: 10/17/2012	SAMSON STEEL BY HYDRA POOLS 16' X 32'1" KIDNEY LEFT	
	UNLESS OTHERWISE SPECIFIED DIMENSIONS ARE IN INCHES TOLERANCES DECIMALS: X ± 0.1 XX ± 0.01 XXX ± 0.005 XXXX ± 0.0005	DETAILED BY: Rcolboch DETAILED DATE: 8/30/2012		PART NUMBER: 60701
	FINISH: NA TEXTURE: NA	LAST REVISED BY: rcolboch LAST REVISED DATE: 11/16/2012		
	MATERIAL: Material <not specified>	ANGULAR: X ± 0.5 THIRD ANGLE PROJECTION		SCALE: 1:96 SHEET: 1 OF 1 SIZE: B

145

16' X 32'1" KIDNEY LEFT

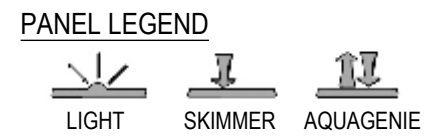
REVISION HISTORY		DATE	STATUS	ECO	BY
REV.	DESCRIPTION				

	A	B	C	D	A-B	B-C	A-C
1	10'-1 5/8"	35'-4 3/8"	37'-2 3/8"	15'-4 1/8"	38'-1 1/8"	24'-1 5/8"	45'-1 1/8"
2	9'-3 1/4"	32'- 3/4"	36'- 3/4"	18'-11 1/8"			
3	14'-6 1/4"	24'-3 1/8"	31'-7 7/8"	24'-11 3/4"			
4	22'-3 1/4"	16'-4 3/8"	26'-4 3/4"	30'-5"			
5	30'-2"	10'- 1/2"	20'-5 3/4"	35'- 5/8"			
6	32'- 7/8"	9'-3 1/4"	18'-11 1/8"	36'- 7/8"			
7	35'-4 1/2"	10'-1 3/4"	15'-4"	37'-2 3/8"			
8	38'-1 3/8"	17'-5 1/2"	8'-2 1/8"	34'-10 1/4"			
9	34'-9 5/8"	23'-6 7/8"	10'-10 3/8"	27'-9 3/4"			
10	30'-4 1/4"	25'-1 1/8"	15'-9 3/8"	23'-3 1/8"			
11	25'-1 3/4"	30'-4 3/8"	23'-3 1/8"	15'-9 1/4"			
12	23'-6 7/8"	34'-9 3/4"	27'-9 7/8"	10'-10 1/4"			
13	17'-5 1/2"	38'-1 3/8"	34'-10 1/4"	8'-2 1/8"			



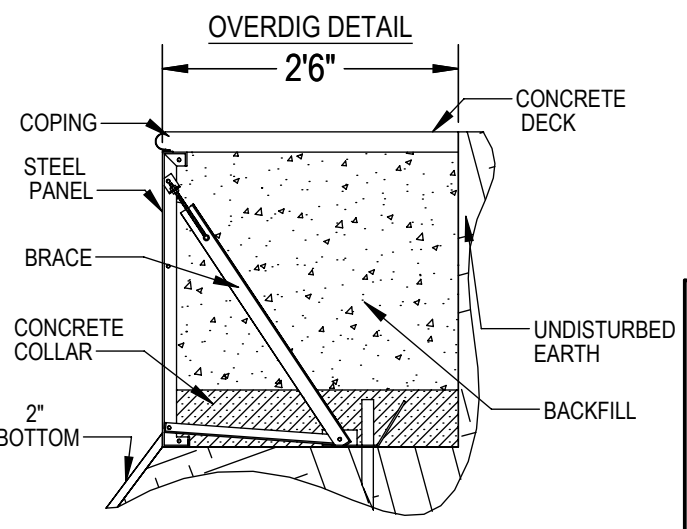
145A

- NOTES:**
- THESE ARE FINISHED DIMENSIONS READY FOR THE LINER.
 - DIMENSIONS ARE FROM INSIDE POOL PANELS.
 - THE IDEAL WATER LEVEL SHOULD BE TO THE MIDDLE OF THE SKIMMER OPENING(S).
- EXCAVATION NOTES:**
- ROUGH EXCAVATION SHOULD BE 2" DEEPER IN EACH INSTANCE.
 - SOIL TO HAVE MINIMUM BEARING CAPACITY OF 2000 PSF.
 - LOCATE TOP OF POOL AT LEAST 6" ABOVE THE SURROUNDING LAND ELEVATION.
 - SEE "OVER DIG DETAIL" FOR EXCAVATION AROUND POOL.
 - FILL VOIDS UNDER BASE OF PANELS AND TAMP WELL.
 - BACK FILL WITH NON-EXPANSIVE MATERIAL.
- IMPORTANT NOTES:**
- THIS DOCUMENT IS FOR ILLUSTRATIVE PURPOSES ONLY. THE DEALER OR CONTRACTOR WHO SELLS OR INSTALLS YOUR POOL IS AN INDEPENDENT CONTRACTOR AND IS NOT AN AGENT OF THE MANUFACTURER. THE CONSTRUCTION METHODS ILLUSTRATED HERE ARE SUGGESTIONS AND APPLY ONLY TO NORMAL GROUND CONDITIONS. THERE MAY BE ADDITIONAL PRECAUTIONS AND/OR METHODS OF CONSTRUCTION. PROPER INSTALLATION IS THE RESPONSIBILITY OF THE DEALER/BUILDER/CONTRACTOR.



NO DIVING WARNING:
ATTENTION DEALER/BUILDER:
 It is your responsibility to ensure the safety package provided is delivered to the pool owner and that the "NO DIVING" labels are properly installed.

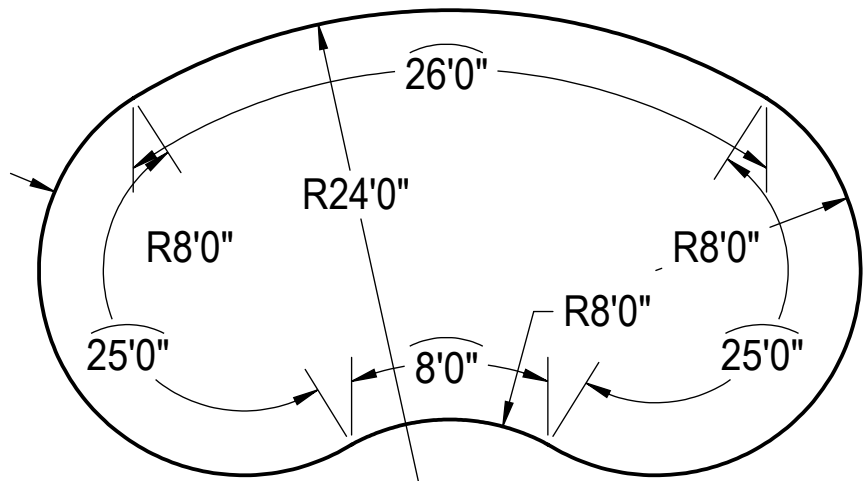
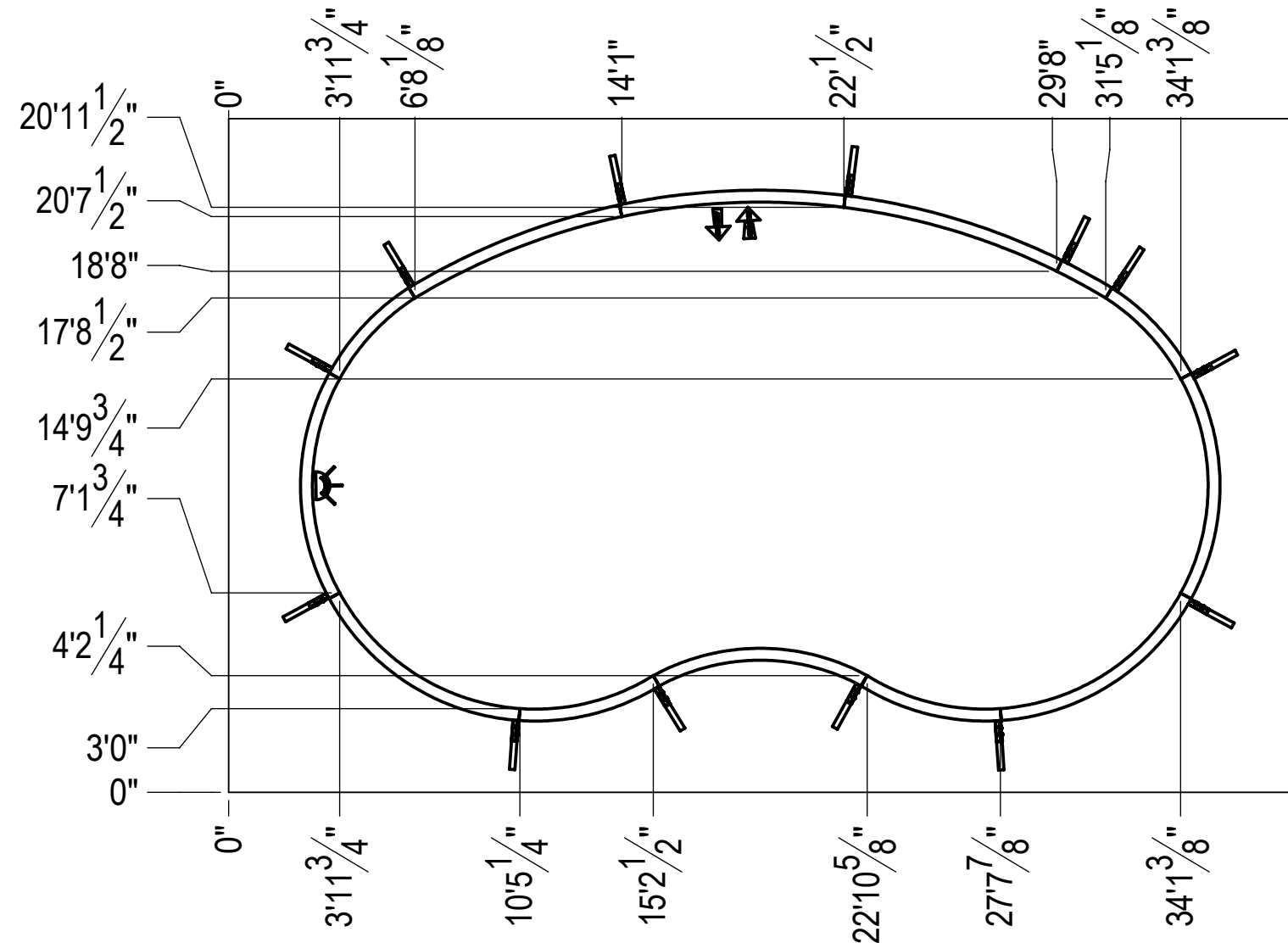
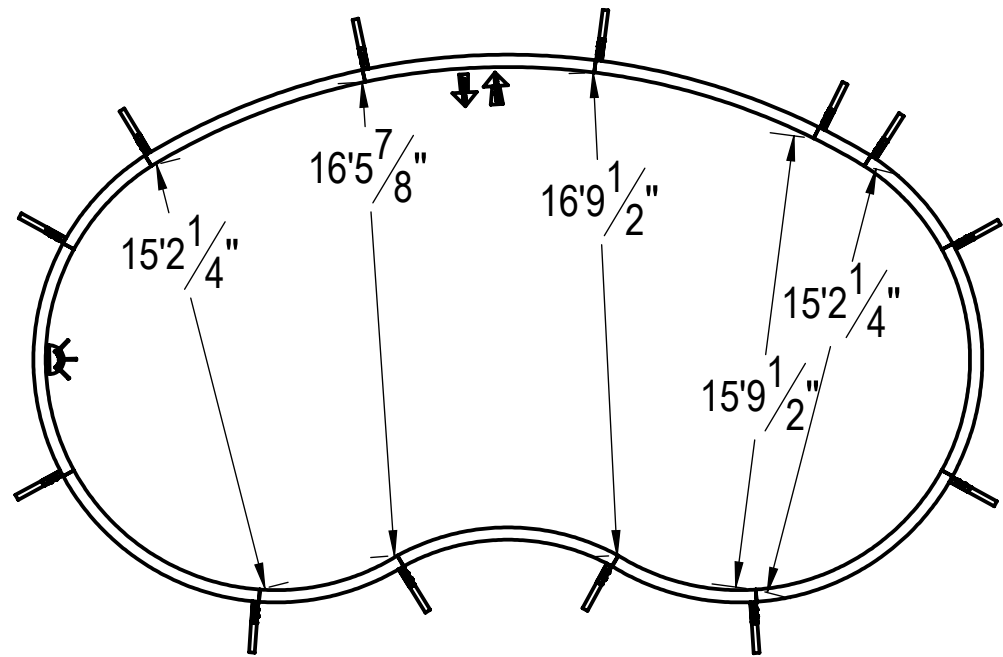
"NO DIVING" WARNING LABELS MUST BE INSTALLED IN NO DIVING AREAS ACCORDING TO ANSI SPECIFICATIONS



ENGINEERING DRAWING NUMBER: 000001198	WEIGHT: 86.515 lbs VOLUME: 2394.720 Inch ³	UNLESS OTHERWISE SPECIFIED DIMENSIONS ARE IN INCHES TOLERANCES DECIMALS: X ± 0.1 XX ± 0.01 XXX ± 0.005 XXXX ± 0.0005 ANGULAR: X ± 0.5 THIRD ANGLE PROJECTION	DESIGNED BY: RCOLBOCH DETAILED BY: RCOLBOCH LAST REVISED BY: rcolboch MATERIAL: Material <not specified>	CREATION DATE: 10/17/2012 DETAILED DATE: 8/30/2012 LAST REVISED DATE: 11/16/2012	TITLE: SAMSON STEEL BY HYDRA POOLS 16' X 32'1" KIDNEY LEFT
	PART NUMBER: 60701-A				
	SCALE: 1:96 SIZE: B SHEET: 1 OF 1				

16' X 32'1" KIDNEY LEFT

REV.		DESCRIPTION	DATE	STATUS	ECO	BY



NOTES:

1. THESE ARE FINISHED DIMENSIONS READY FOR THE LINER.
2. DIMENSIONS ARE FROM INSIDE POOL PANELS.
3. THE IDEAL WATER LEVEL SHOULD BE TO THE MIDDLE OF THE SKIMMER OPENING(S).

EXCAVATION NOTES:

4. ROUGH EXCAVATION SHOULD BE 2" DEEPER IN EACH INSTANCE.
5. SOIL TO HAVE MINIMUM BEARING CAPACITY OF 2000 PSF.
6. LOCATE TOP OF POOL AT LEAST 6" ABOVE THE SURROUNDING LAND ELEVATION.
7. SEE "OVER DIG DETAIL" FOR EXCAVATION AROUND POOL.
8. FILL VOIDS UNDER BASE OF PANELS AND TAMP WELL.
9. BACK FILL WITH NON-EXPANSIVE MATERIAL.

IMPORTANT NOTES:

THIS DOCUMENT IS FOR ILLUSTRATIVE PURPOSES ONLY. THE DEALER OR CONTRACTOR WHO SELLS OR INSTALLS YOUR POOL IS AN INDEPENDENT CONTRACTOR AND IS NOT AN AGENT OF THE MANUFACTURER. THE CONSTRUCTION METHODS ILLUSTRATED HERE ARE SUGGESTIONS AND APPLY ONLY TO NORMAL GROUND CONDITIONS. THERE MAY BE ADDITIONAL PRECAUTIONS AND/OR METHODS OF CONSTRUCTION. PROPER INSTALLATION IS THE RESPONSIBILITY OF THE DEALER/BUILDER/CONTRACTOR.

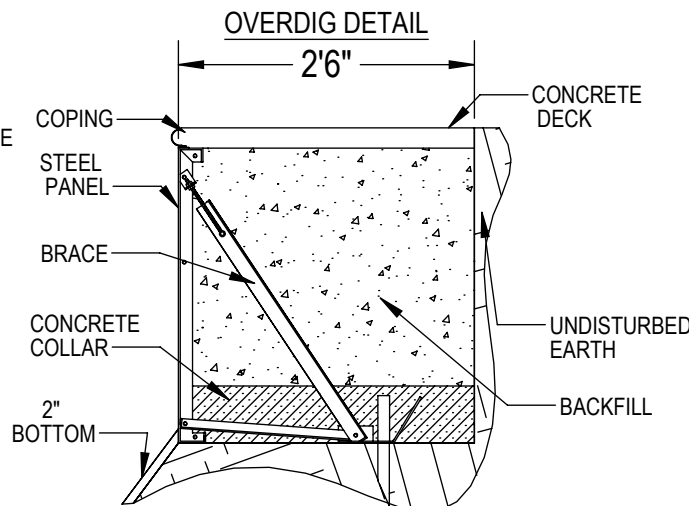
PANEL LEGEND



NO DIVING WARNING:
ATTENTION DEALER/BUILDER:
 It is your responsibility to ensure the safety package provided is delivered to the pool owner and that the "NO DIVING" labels are properly installed.



"NO DIVING" WARNING LABELS MUST BE INSTALLED IN NO DIVING AREAS ACCORDING TO ANSI SPECIFICATIONS



WEIGHT: 86.515 lbs VOLUME: 2394.720 Inch ³ COLOR: NA HEAT TREAT: NA FINISH: NA TEXTURE: NA	DIMENSIONS ARE IN INCHES TOLERANCES DECIMALS: X ± 0.1 XX ± 0.01 XXX ± 0.005 XXXX ± 0.0005 ANGULAR: X ± 0.5 THIRD ANGLE PROJECTION	DESIGNED BY: RCOLBOCH DETAILED BY: Rcolboch LAST REVISED BY: rcolboch MATERIAL: Material <not specified>	CREATION DATE: 10/17/2012 DETAILED DATE: 8/30/2012 LAST REVISED DATE: 11/16/2012	TITLE: SAMSON STEEL BY HYDRA POOLS 16' X 32'1" KIDNEY LEFT
	PART NUMBER: 60701-B	SCALE: 1:96	SIZE: B	
	SHEET: 1 OF 1			
	ENGINEERING DRAWING NUMBER: 00001198			

145B