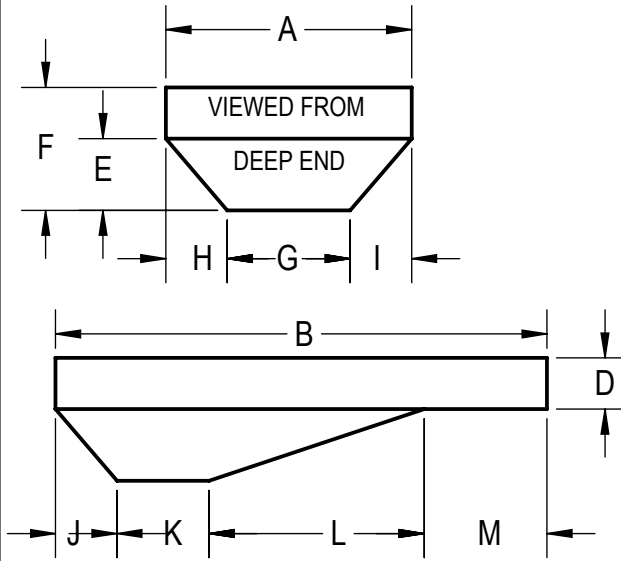


16' X 32' NAUTILUS RIGHT

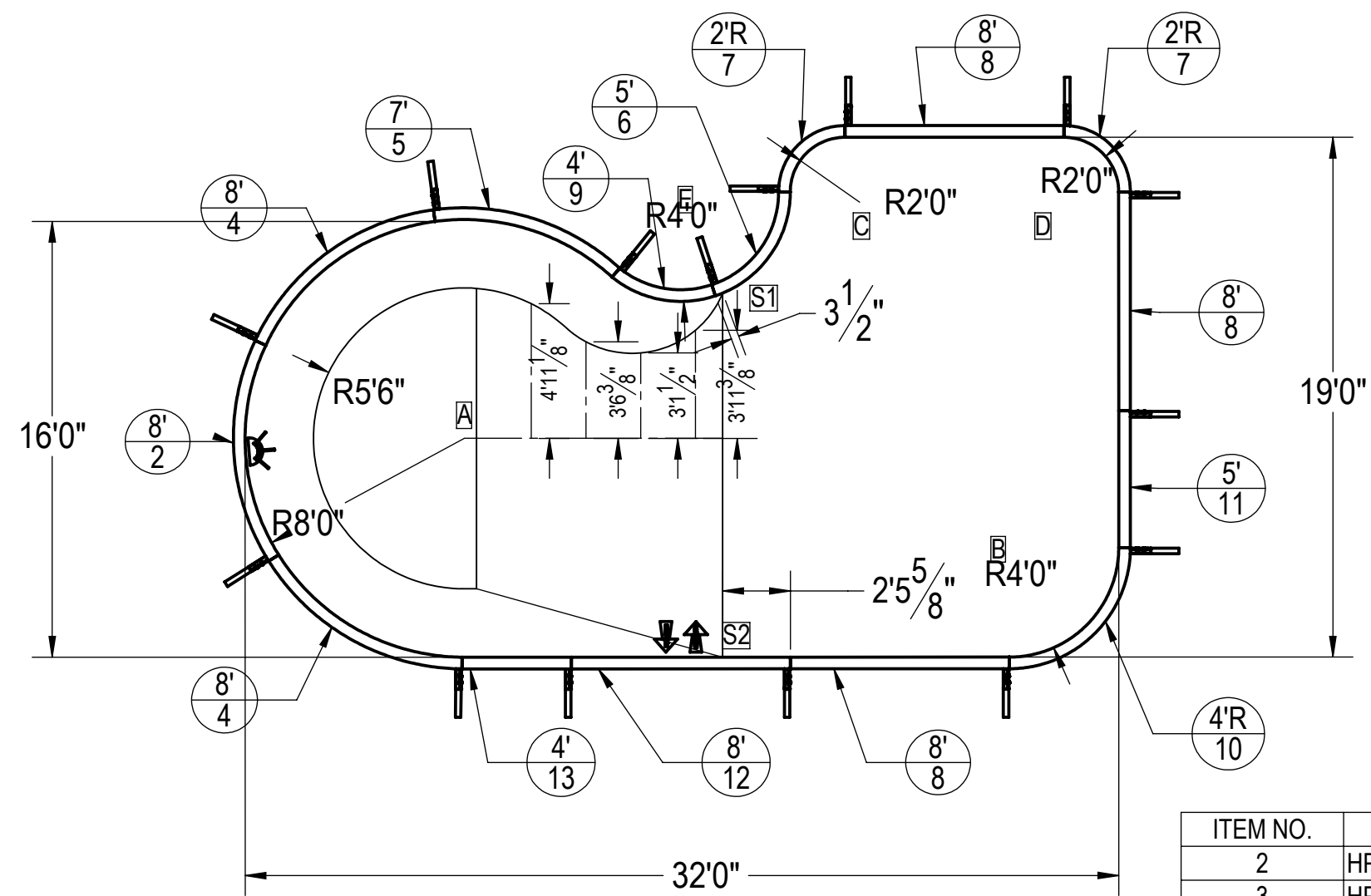
REVISION HISTORY					
REV.	DESCRIPTION	DATE	STATUS	ECO	BY

DIMENSIONS

SQ FOOT	548	PERIMETER	93'7"	GALLONS	19506
---------	-----	-----------	-------	---------	-------



A	16'	K	6'0"
B	32'	L	9'0"
D	3'4"	M	14'6"
E	2'-8"	M2	
F	6'0"	T	
G	11'0"	S	
H	2'6"	N	
I	2'6"	P	
J	2'6"	U	



A-B	19'-11 1/8"
A-C	16'-7"
A-D	23'-8 3/8"
A-E	11'-11 7/8"
B-C	14'-3 7/8"
B-D	13'-1 7/8"
B-E	17'-8 3/8"
A-S1	10'-10 1/8"
A-S2	12'-4 5/8"
B-S1	14'- 1/8"
B-S2	11'-2 1/2"

- NOTES:**
- THESE ARE FINISHED DIMENSIONS READY FOR THE LINER.
 - DIMENSIONS ARE FROM INSIDE POOL PANELS.
 - THE IDEAL WATER LEVEL SHOULD BE TO THE MIDDLE OF THE SKIMMER OPENING(S).
- EXCAVATION NOTES:**
- ROUGH EXCAVATION SHOULD BE 2" DEEPER IN EACH INSTANCE.
 - SOIL TO HAVE MINIMUM BEARING CAPACITY OF 2000 PSF.
 - LOCATE TOP OF POOL AT LEAST 6" ABOVE THE SURROUNDING LAND ELEVATION.
 - SEE "OVER DIG DETAIL" FOR EXCAVATION AROUND POOL.
 - FILL VOIDS UNDER BASE OF PANELS AND TAMP WELL.
 - BACK FILL WITH NON-EXPANSIVE MATERIAL.

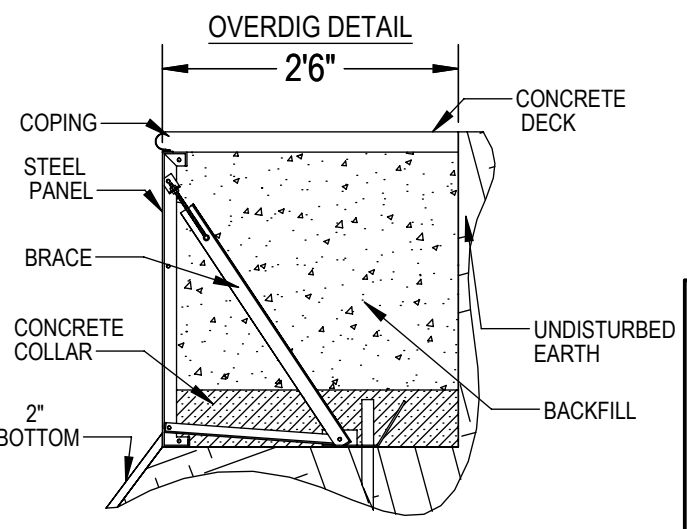
IMPORTANT NOTES:
 THIS DOCUMENT IS FOR ILLUSTRATIVE PURPOSES ONLY. THE DEALER OR CONTRACTOR WHO SELLS OR INSTALLS YOUR POOL IS AN INDEPENDENT CONTRACTOR AND IS NOT AN AGENT OF THE MANUFACTURER. THE CONSTRUCTION METHODS ILLUSTRATED HERE ARE SUGGESTIONS AND APPLY ONLY TO NORMAL GROUND CONDITIONS. THERE MAY BE ADDITIONAL PRECAUTIONS AND/OR METHODS OF CONSTRUCTION. PROPER INSTALLATION IS THE RESPONSIBILITY OF THE DEALER/BUILDER/CONTRACTOR.

PANEL LEGEND

LIGHT SKIMMER AQUAGENIE

NO DIVING WARNING:
 ATTENTION DEALER/BUILDER:
 It is your responsibility to ensure the safety package provided is delivered to the pool owner and that the "NO DIVING" labels are properly installed.

"NO DIVING" WARNING LABELS MUST BE INSTALLED IN NO DIVING AREAS ACCORDING TO ANSI SPECIFICATIONS



ITEM NO.	PART NUMBER	DESCRIPTION	QTY.
2	HPSD8R8L	8'R 8" LIGHT PANEL	1
3	HPSFOB	STEEL BRACE	15
4	HPSD8R8	8'R 8" PLAIN PANEL	2
5	HPSD8R7	8'R 7" PLAIN PANEL	1
6	HPSD4RR5	4'R 5" REVERSE PANEL	1
7	HPSD2R	2'R PANEL	2
8	HPSD108P	8' PLAIN PANEL	3
9	HPSD4RR4	4'R 4" REVERSE PANEL	1
10	HPSD4R	4'R PANEL	1
11	HPSD105P	5' PLAIN PANEL	1
12	HPSD108AG	8' AG PANEL	1
13	HPSD104P	4' PLAIN PANEL	1

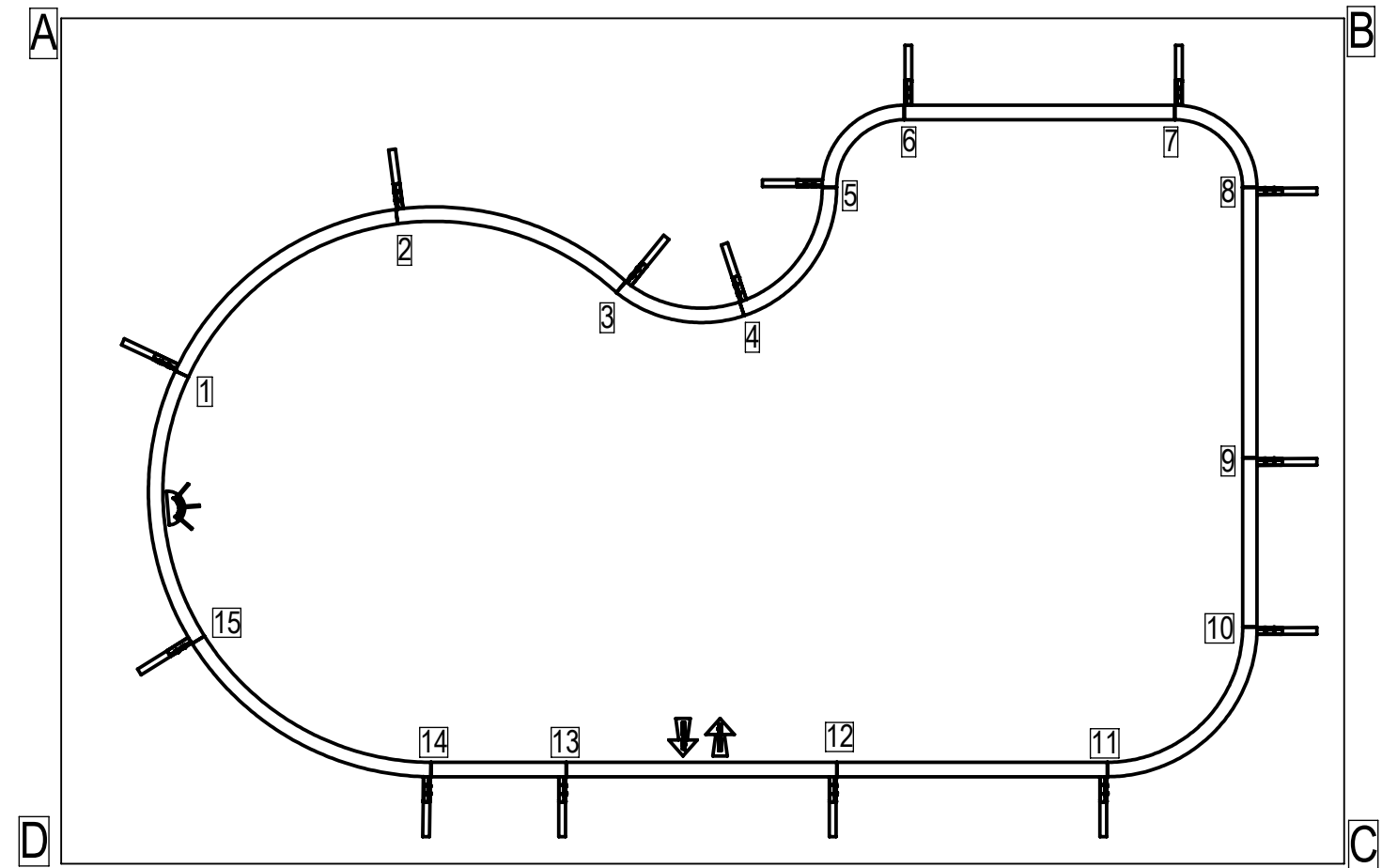
WEIGHT: 86,515 lbs VOLUME: 2394.720 Inch ³ COLOR: NA HEAT TREAT: NA FINISH: NA TEXTURE: NA	UNLESS OTHERWISE SPECIFIED DIMENSIONS ARE IN INCHES TOLERANCES DECIMALS: X ± 0.1 XX ± 0.01 XXX ± 0.005 XXXX ± 0.0005 ANGULAR: X ± 0.5 THIRD ANGLE PROJECTION	DESIGNED BY: RCOLBOCH DETAILED BY: RCOLBOCH LAST REVISED BY: rcolboch MATERIAL: Material <not specified>	CREATION DATE: 10/17/2012 DETAILED DATE: 8/30/2012 LAST REVISED DATE: 11/16/2012	TITLE: SAMSON STEEL BY HYDRA POOLS 16' X 32' NAUTILUS RIGHT
	PART NUMBER: 60975			SCALE: 1:96 SHEET: 1 OF 1 SIZE: B

166

16' X 32' NAUTILUS RIGHT

REVISION HISTORY					
REV.	DESCRIPTION	DATE	STATUS	ECO	BY

	A	B	C	D	A-B	37'-11 1/8"
1	11'-3 1/8"	35'-9 3/8"	37'- 7/8"	14'-10 1/2"	B-C	25'-0"
2	11'-7 7/8"	28'-7 5/8"	33'-9 3/8"	21'-4 5/8"	A-C	45'-5 1/8"
3	18'-3 3/4"	22'-11 7/8"	27'-4 1/4"	23'-6 5/8"		
4	22'- 1/4"	19'-9 5/8"	24'- 3/8"	25'-10 3/4"		
5	23'-5 5/8"	15'-9 3/4"	25'-0"	30'-5 1/8"		
6	25'-1 1/4"	13'-4 1/8"	25'-6 3/4"	33'-3"		
7	33'- 3/4"	5'-10"	22'-6 3/4"	39'-7 1/4"		
8	35'-3 3/8"	5'-10"	20'-2 3/4"	40'-3"		
9	37'-3 1/4"	13'-4 1/8"	12'-4 1/2"	36'-11 1/4"		
10	39'-3 1/2"	18'-3"	7'-7 3/8"	35'-7 1/2"		
11	37'-11 1/2"	23'-1"	7'-7 3/8"	31'- 7/8"		
12	31'-9 3/8"	26'-7 1/2"	15'-3 1/2"	23'-1 1/2"		
13	26'-7 1/8"	31'-10"	23'-2 3/8"	15'-2 3/4"		
14	24'-6 7/8"	34'-10"	27'-2"	11'-4"		
15	18'-9"	38'-3 7/8"	34'-4 3/8"	7'-11 1/2"		



NOTES:

1. THESE ARE FINISHED DIMENSIONS READY FOR THE LINER.
2. DIMENSIONS ARE FROM INSIDE POOL PANELS.
3. THE IDEAL WATER LEVEL SHOULD BE TO THE MIDDLE OF THE SKIMMER OPENING(S).

EXCAVATION NOTES:

4. ROUGH EXCAVATION SHOULD BE 2" DEEPER IN EACH INSTANCE.
5. SOIL TO HAVE MINIMUM BEARING CAPACITY OF 2000 PSF.
6. LOCATE TOP OF POOL AT LEAST 6" ABOVE THE SURROUNDING LAND ELEVATION.
7. SEE "OVER DIG DETAIL" FOR EXCAVATION AROUND POOL.
8. FILL VOIDS UNDER BASE OF PANELS AND TAMP WELL.
9. BACK FILL WITH NON-EXPANSIVE MATERIAL.

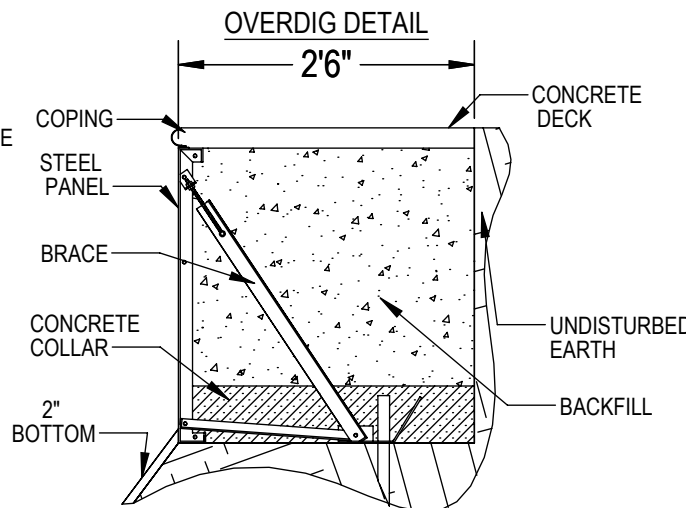
IMPORTANT NOTES:

THIS DOCUMENT IS FOR ILLUSTRATIVE PURPOSES ONLY. THE DEALER OR CONTRACTOR WHO SELLS OR INSTALLS YOUR POOL IS AN INDEPENDENT CONTRACTOR AND IS NOT AN AGENT OF THE MANUFACTURER. THE CONSTRUCTION METHODS ILLUSTRATED HERE ARE SUGGESTIONS AND APPLY ONLY TO NORMAL GROUND CONDITIONS. THERE MAY BE ADDITIONAL PRECAUTIONS AND/OR METHODS OF CONSTRUCTION. PROPER INSTALLATION IS THE RESPONSIBILITY OF THE DEALER/BUILDER/CONTRACTOR.

PANEL LEGEND

LIGHT SKIMMER AQUAGENIE
NO DIVING WARNING:
ATTENTION DEALER/BUILDER:
 It is your responsibility to ensure the safety package provided is delivered to the pool owner and that the "NO DIVING" labels are properly installed.

"NO DIVING" WARNING LABELS MUST BE INSTALLED IN NO DIVING AREAS ACCORDING TO ANSI SPECIFICATIONS

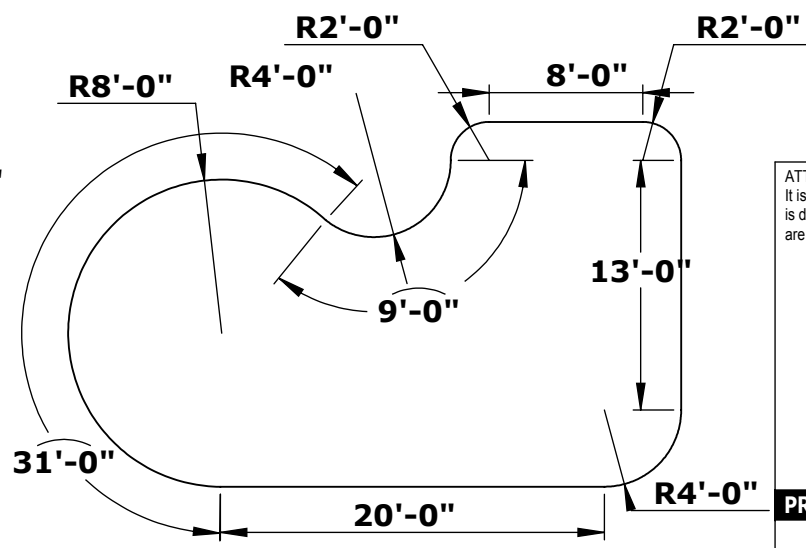
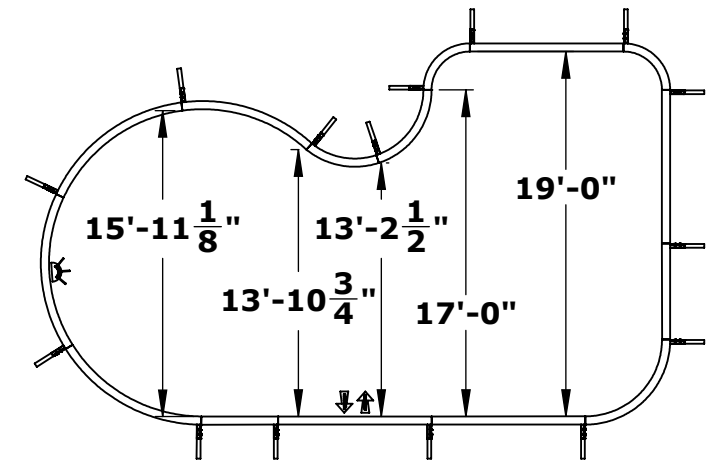
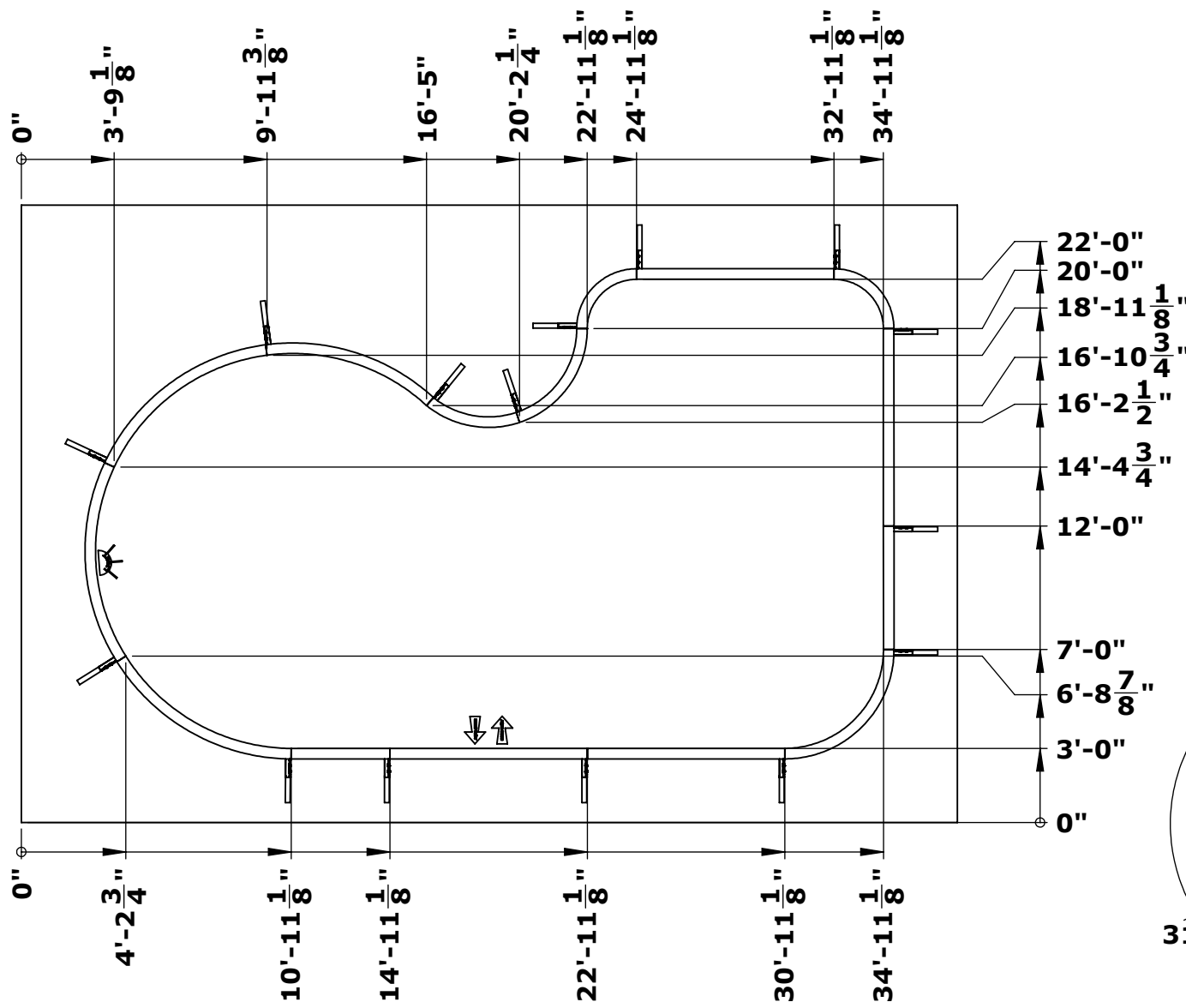


ENGINEERING DRAWING NUMBER: 00001296	WEIGHT: 86.515 lbs	UNLESS OTHERWISE SPECIFIED DIMENSIONS ARE IN INCHES TOLERANCES DECIMALS: X ± 0.1 XX ± 0.01 XXX ± 0.005 XXXX ± 0.0005 ANGULAR: X ± 0.5 THIRD ANGLE PROJECTION	DESIGNED BY: RCOLBOCH	CREATION DATE: 10/17/2012	SAMSON STEEL BY HYDRA POOLS 16' X 32' NAUTILUS RIGHT
	VOLUME: 2394.720 Inch ³		DETAILED BY: Rcolboch	DETAILED DATE: 8/30/2012	
	COLOR: NA		LAST REVISED BY: rcolboch	LAST REVISED DATE: 11/16/2012	
	HEAT TREAT: NA		MATERIAL: Material <not specified>		
FINISH: NA					PART NUMBER: 60975-A
TEXTURE: NA					SCALE: 1:96 SHEET: 1 OF 1

166A

16' X 32' NAUTILUS RIGHT

166B



ATTENTION DEALER/BUILDER:
It is your responsibility to ensure the safety package provided is delivered to the pool owner and that the "NO DIVING" labels are properly installed.

***NO DIVING* WARNING LABELS MUST BE INSTALLED IN NO DIVING AREAS ACCORDING NSPI SPECIFICATIONS**



*** SUGGESTED LABEL LOCATIONS ARE SPECIFIED IN THE COPING LAYOUT**

PRE-CUT PANEL LEGEND



GENERAL NOTES

1. These are finished dimensions ready for the liner.
2. Dimensions are from inside pool panels.
3. The ideal water level should be to the middle of the skimmer opening(s).

EXCAVATION NOTES

1. Rough excavation should be 2" deeper in each instance.
2. Soil to have minimum bearing capacity of 2000 P.S.F.
3. Locate top of pool at least 6" above surrounding land elevation.
4. See 'Overdig Detail' for excavation around pool.
5. Fill voids under base of panels and tamp well.
6. Backfill with non-expansive material.

ADDITIONAL NOTES

THIS DOCUMENT IS FOR ILLUSTRATIVE PURPOSES ONLY.
The dealer or contractor who sells or installs your pool is an independent contractor and is not an agent of the Manufacturer. The construction methods illustrated here are suggestions and apply only to normal ground conditions. There may be additional precautions and/or methods of construction. Proper installation is the responsibility of the dealer/builder/contractor.

SAMSON STEEL

543 South Main Street
Sweetwater, TN 37874

DATE
9/10/2012

DRAWING TITLE
16' X 32' NAUTILUS RIGHT

DRAWING NUMBER
60975-B