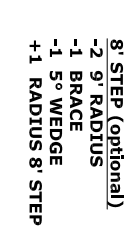
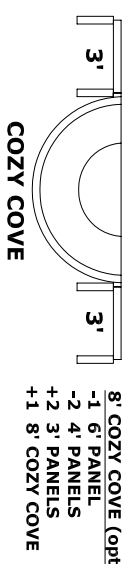
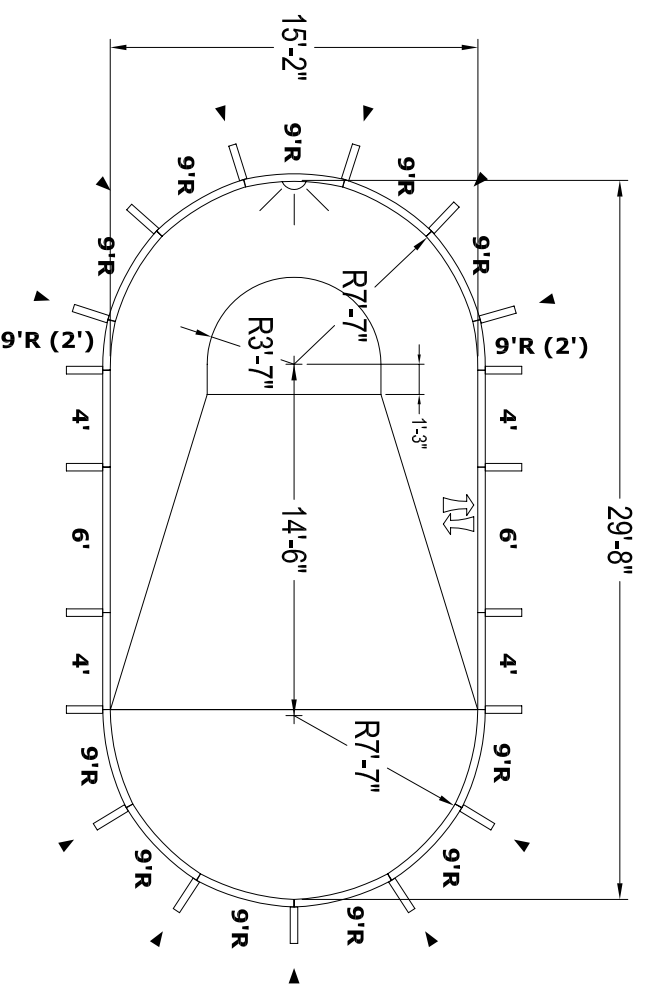


15'2" X 29'8" OVAL



▲ = 5° WEDGE

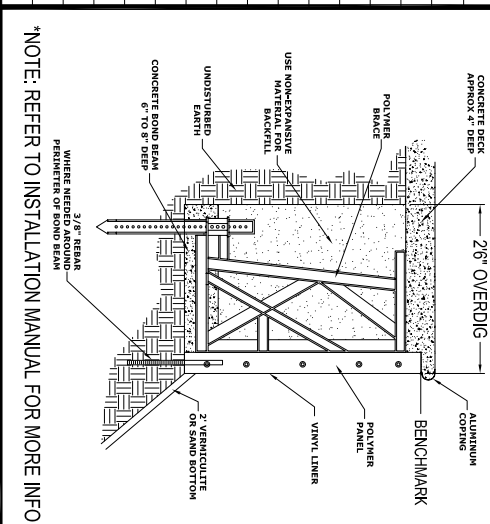
DIMENSIONS			
A	15'2"	K	4'10"
B	29'8"	L	13'
D	3'4"	M	7'10"
E	2'8"	M2	-
F	6'	T	-
G	7'2"	S	-
H	4'	N	-
I	4'	P	-
J	4'	U	-

DIMENSIONS			
APSP TYPE	0	SQ. FOOTAGE	451
PERIMETER	76'8"	GALLONS	11959

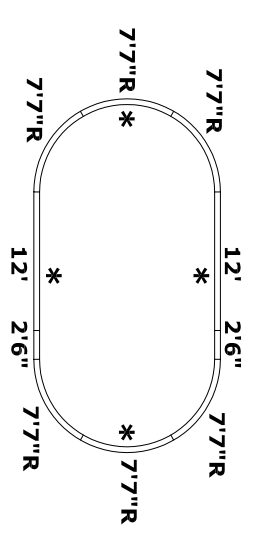
BILL OF MATERIALS

QTY	PART	DESCRIPTION
1	HP306	6' PANEL
1	HP306A	6' PANEL (A/G)
4	HP304	4' PANEL
10	HP359	9R PANEL
1	HP359LL	9R PANEL (LIGHT)
2	HP110D	(9R) 2' OVAL INSERT
11	HP1126	5° WEDGE
19	HP399	BRACE

OVERDIG DETAIL



COPING LAYOUT



NO DIVING WARNING

ATTENTION DEALER/BUILDER:
 It is your responsibility to ensure the safety package provided is delivered to the pool owner and that the "NO DIVING" labels are properly installed.

NO DIVING WARNING LABELS MUST BE INSTALLED IN NO DIVING AREAS ACCORDING TO APSP SPECIFICATIONS

A DANGER
NO DIVING
SHALLOW WATER
 DIVING MAY CAUSE DEATH OR PERMANENT INJURY

*** SUGGESTED LABEL LOCATIONS ARE SPECIFIED IN THE COPING LAYOUT**

PRE-CUT PANEL LEGEND

LIGHT

AQUAGENIE

GENERAL NOTES

- These are finished dimensions ready for the liner.
- Dimensions are from inside pool panels.
- The ideal water level should be to the middle of the skimmer opening(s).

EXCAVATION NOTES

- Rough excavation should be 2" deeper in each instance.
- Soil to have minimum bearing capacity of 2000 P.S.F.
- Locate top of pool at least 6" above surrounding land elevation.
- See "Overdig Detail" for excavation around pool.
- Fill voids under base of panels and lamp well.
- Backfill with non-expansive material.

ADDITIONAL NOTES

THIS DOCUMENT IS FOR ILLUSTRATIVE PURPOSES ONLY.
 The dealer or contractor who sells or installs your pool is an independent contractor and is not an agent of the Manufacturer. The construction methods illustrated here are suggestions and apply only to normal ground conditions. There may be additional precautions and/or methods of construction. Proper installation is the responsibility of the dealer/builder/contractor.

DATE: **JAN 2007**

PANEL LINE: **CORNERSTONE**

DRAWING TITLE: **15'2" X 29'8" OVAL**

DRAWING NUMBER: **30310**

543 South Main Street - Sweetwater, TN 37874